



Ruud Value Series Air Conditioners



Note: Above image does not show deep drawn basepan.

14AJM- Series

Efficiencies up to 16 SEER/13 EER
Nominal Sizes 1 1/2-5 Ton [5.28 to 17.6 kW]
Cooling Capacities 17.3 to 60.5 kBTU
[5.7 to 17.7 kW]



"Proper sizing and installation of equipment is critical to achieve optimal performance. Ask your Contractor for details or visit www.energystar.gov."

- Outdoor air conditioner designed for ground level or rooftop installations. These units offer comfort and dependability for single, multi-family and light commercial applications.
- Painted louvered steel cabinet
- Easily accessible control box
- Condenser coils constructed with copper tubing and enhanced aluminum fins
- Grille/Motor mount for quiet fan operation
- Filter Drier (shipped – not installed)

TABLE OF CONTENTS

Model Number Identification	3
Accessories.....	3
Scroll Compressor	3
Performance Data	4-45
Electrical & Physical Data	46
Unit Dimensions.....	47
Refrigerant Line Size Information	48
Limited Warranty	49

Model Number Identification

<u>14</u>	<u>A</u>	<u>J</u>	<u>M</u>	<u>18</u>	<u>A</u>	<u>01</u>
14.5 SEER	A = AIR CONDITIONER	<u>VOLTAGE</u> J = 208-230 SINGLE PHASE	<u>DESIGN SERIES</u> M = 1ST DESIGN R-410A	<u>NOMINAL COOLING CAPACITY</u> 19 = 18,000 BTU/HR [5.28 kW] 25 = 24,000 BTU/HR [7.03 kW] 30 = 30,000 BTU/HR [8.79 kW] 36 = 36,000 BTU/HR [10.55 kW] 42 = 42,000 BTU/HR [12.31 kW] 48 = 48,000 BTU/HR [14.07 kW] 49 = 47,000 BTU/HR [13.77 kW] 56 = 54,000 BTU/HR [15.83 kW] 60 = 60,000 BTU/HR [17.58 kW]	<u>CABINET</u> A = FULL METAL JACKET	<u>RUUD VALUE SERIES</u>

Accessories

- Low Pressure Control (RXAC-A07)
- High Pressure Control (RXAB-A07)
- Low Ambient Control (RXAD-A08)
- Compressor Time Delay Control
- Crankcase Heater
- Sound Enclosure

Thermostats



200-Series *
Programmable



300-Series *
Deluxe
Programmable

400-Series *
Special Applications/
Programmable



500-Series *
Communicating/
Programmable

Brand	Descriptor (3 Characters)	Series (3 Characters)	System (2 Characters)	Type (2 Characters)
UHC	-	213	UN	MS
UHC=Ruud	TST=Thermostat	200=Programmable 300=Deluxe Programmable 400=Special Applications/ Programmable 500=Communicating/ Programmable	GE=Gas/Electric UN=Universal (AC/HP/GE) MD=Modulating Furnace DF=Dual Fuel CM=Communicating	SS=Single-Stage MS=Multi-Stage

* Photos are representative. Actual models may vary.

For detailed thermostat match-up information,
see specification sheet form number T22-001.

Scroll® Compressor

The reliable scroll compressor is the key to efficiency for this Ruud model. It's the latest in high-efficiency compressor technology. The advanced scroll compressor offers low noise and vibration characteristics and features tolerance to liquid refrigerant and system contamination. The scroll compressor also has low start torque, reducing start problems in the field. And its unique design enables air conditioners to perform efficiently and quietly.

[] Designates Metric Conversions



Performance Data @ AHRI Standard Conditions—Cooling

Model Numbers		80°F [26.5°C] DB/67°F [19.5°C] WB Indoor Air 95°F [35°C] DB Outdoor Air					Sound Rating dB	Indoor CFM [L/s]
Outdoor Unit 14AJM	Indoor Coil and/or Air Handler	Total Capacity BTU/H [kW]	Net Sensible BTU/H [kW]	Net Latent BTU/H [kW]	EER	SEER		
Rev. 4/5/13	RCFL-H*2417+RXMD-C04 ①	18,300 [5.4]	13,600 [4.0]	4,700 [1.4]	12.00	14.50	74	600 [283]
	RHAL-FR18P	19,200 [5.6]	15,100 [4.4]	4,100 [1.2]	12.00	14.50	74	600 [283]
	RHBL-FR24T	19,400 [5.7]	15,300 [4.5]	4,100 [1.2]	13.00	16.00	74	600 [283]
	RCFL-A*2414+RXMD-C04	17,300 [5.1]	12,800 [3.8]	4,500 [1.3]	11.50	13.50	74	600 [283]
	RCFL-A*2414C+RXMD-C04	17,300 [5.1]	12,800 [3.8]	4,500 [1.3]	11.50	13.50	74	600 [283]
	RCFL-A*2417(RGFE-06?MCK?)	18,800 [5.5]	14,100 [4.1]	4,700 [1.4]	13.00	16.00	74	575 [271]
	RCFL-A*2417(RGFE-07?MCK?)	18,800 [5.5]	14,100 [4.1]	4,700 [1.4]	13.00	16.00	74	600 [283]
	RCFL-A*2417(RGFG-06NMCKS)	18,800 [5.5]	14,100 [4.1]	4,700 [1.4]	13.00	16.00	74	575 [271]
	RCFL-A*2417(RGFG-06EMCKS)	18,800 [5.5]	14,100 [4.1]	4,700 [1.4]	13.00	16.00	74	575 [271]
	RCFL-A*2417(RGFG-07EMCKS)	18,400 [5.4]	13,500 [4.0]	4,900 [1.4]	13.00	16.00	74	525 [248]
	RCFL-A*2417(RGFG-07NMCKS)	18,400 [5.4]	13,500 [4.0]	4,900 [1.4]	13.00	16.00	74	525 [248]
	RCFL-A*2417(RGGE-06?MCK?)	18,800 [5.5]	14,100 [4.1]	4,700 [1.4]	13.00	16.00	74	625 [295]
	RCFL-A*2417(RGGE-07?MCK?)	18,800 [5.5]	14,100 [4.1]	4,700 [1.4]	13.00	16.00	74	575 [271]
	RCFL-A*2417(RGLE-07?AMK?)	18,800 [5.5]	14,100 [4.1]	4,700 [1.4]	13.00	16.00	74	600 [283]
	RCFL-A*2417(RGLT-07?AMK?)	19,200 [5.6]	14,600 [4.3]	4,600 [1.3]	13.00	16.00	74	675 [319]
	RCFL-A*2417(RGPE-05?BMK?)	18,800 [5.5]	14,100 [4.1]	4,700 [1.4]	13.00	16.00	74	575 [271]
	RCFL-A*2417(RGPE-07?AMK?)	18,800 [5.5]	14,100 [4.1]	4,700 [1.4]	13.00	16.00	74	625 [295]
	RCFL-A*2417(RGPT-05?BMK?)	19,000 [5.6]	14,400 [4.2]	4,600 [1.3]	13.00	16.00	74	650 [307]
	RCFL-A*2417(RGPT-07?AMK?)	18,800 [5.5]	14,100 [4.1]	4,700 [1.4]	13.00	16.00	74	625 [295]
	RCFL-A*2417(RGRM-04?MAE?)	18,700 [5.5]	14,000 [4.1]	4,700 [1.4]	13.00	16.00	74	575 [271]
	RCFL-A*2417(RGRM-06?MAE?)	18,700 [5.5]	14,000 [4.1]	4,700 [1.4]	13.00	16.00	74	600 [283]
	RCFL-A*2417(RGRM-07?MAE?)	18,200 [5.3]	13,300 [3.9]	4,900 [1.4]	13.00	16.00	74	500 [236]
	RCFL-A*2417(RGTM-06?MAE?)	18,800 [5.5]	14,100 [4.1]	4,700 [1.4]	13.00	16.00	74	575 [271]
	RCFL-A*2417(ROCA-070E03)	18,800 [5.5]	14,100 [4.1]	4,700 [1.4]	13.00	16.00	74	600 [283]
	RCFL-A*2417(ROLA-070E03)	18,700 [5.5]	14,000 [4.1]	4,700 [1.4]	13.00	16.00	74	600 [283]
	RCFL-A*2417+RXMD-C04	18,300 [5.4]	13,600 [4.0]	4,700 [1.4]	12.00	14.50	74	600 [283]
	RCFL-A*2514+RXMD-C04	18,300 [5.4]	14,000 [4.1]	4,300 [1.3]	12.00	14.50	74	600 [283]
	RCFL-H*2414+RXMD-C04	17,300 [5.1]	12,800 [3.8]	4,500 [1.3]	11.50	13.50	74	600 [283]
	RCFL-H*2414C+RXMD-C04	17,300 [5.1]	12,800 [3.8]	4,500 [1.3]	11.50	13.50	74	600 [283]
	RCFL-H*2417(RGFE-06?MCK?)	18,800 [5.5]	14,100 [4.1]	4,700 [1.4]	13.00	16.00	74	575 [271]
	RCFL-H*2417(RGFE-07?MCK?)	18,800 [5.5]	14,100 [4.1]	4,700 [1.4]	13.00	16.00	74	600 [283]
	RCFL-H*2417(RGFG-06NMCKS)	18,800 [5.5]	14,100 [4.1]	4,700 [1.4]	13.00	16.00	74	575 [271]
	RCFL-H*2417(RGFG-06EMCKS)	18,800 [5.5]	14,100 [4.1]	4,700 [1.4]	13.00	16.00	74	575 [271]
	RCFL-H*2417(RGFG-07EMCKS)	18,400 [5.4]	13,500 [4.0]	4,900 [1.4]	13.00	16.00	74	525 [248]
	RCFL-H*2417(RGFG-07NMCKS)	18,400 [5.4]	13,500 [4.0]	4,900 [1.4]	13.00	16.00	74	525 [248]
	RCFL-H*2417(RGGE-06?MCK?)	18,800 [5.5]	14,100 [4.1]	4,700 [1.4]	13.00	16.00	74	625 [295]
	RCFL-H*2417(RGGE-07?MCK?)	18,800 [5.5]	14,100 [4.1]	4,700 [1.4]	13.00	16.00	74	575 [271]
	RCFL-H*2417(RGJF-06?MCK?)	18,800 [5.5]	14,100 [4.1]	4,700 [1.4]	13.00	16.00	74	625 [295]
	RCFL-H*2417(RGJF-07?MCK?)	18,800 [5.5]	14,100 [4.1]	4,700 [1.4]	13.00	16.00	74	575 [271]
	RCFL-H*2417(RGLE-07?AMK?)	18,800 [5.5]	14,100 [4.1]	4,700 [1.4]	13.00	16.00	74	600 [283]
RCFL-H*2417(RGLT-07?AMK?)	19,200 [5.6]	14,600 [4.3]	4,600 [1.3]	13.00	16.00	74	675 [319]	
RCFL-H*2417(RGPE-05?BMK?)	18,800 [5.5]	14,100 [4.1]	4,700 [1.4]	13.00	16.00	74	575 [271]	
RCFL-H*2417(RGPE-07?AMK?)	18,800 [5.5]	14,100 [4.1]	4,700 [1.4]	13.00	16.00	74	625 [295]	
RCFL-H*2417(RGPT-05?BMK?)	19,000 [5.6]	14,400 [4.2]	4,600 [1.3]	13.00	16.00	74	650 [307]	
RCFL-H*2417(RGPT-07?AMK?)	18,800 [5.5]	14,100 [4.1]	4,700 [1.4]	13.00	16.00	74	625 [295]	
RCFL-H*2417(RGRM-04?MAE?)	18,700 [5.5]	14,000 [4.1]	4,700 [1.4]	13.00	16.00	74	575 [271]	
RCFL-H*2417(RGRM-06?MAE?)	18,700 [5.5]	14,000 [4.1]	4,700 [1.4]	13.00	16.00	74	600 [283]	
RCFL-H*2417(RGRM-07?MAE?)	18,200 [5.3]	13,300 [3.9]	4,900 [1.4]	13.00	16.00	74	500 [236]	
RCFL-H*2417(RGTM-06?MAE?)	18,800 [5.5]	14,100 [4.1]	4,700 [1.4]	13.00	16.00	74	575 [271]	
RCFL-H*2417(ROCA-070E03)	18,800 [5.5]	14,100 [4.1]	4,700 [1.4]	13.00	16.00	74	600 [283]	

19

① Highest sales volume tested combination required by D.O.E. test procedures.

[] Designates Metric Conversions

Performance Data @ AHRI Standard Conditions—Cooling (con't.)

Model Numbers		80°F [26.5°C] DB/67°F [19.5°C] WB Indoor Air 95°F [35°C] DB Outdoor Air					Sound Rating dB	Indoor CFM [L/s]
Outdoor Unit 14AJM	Indoor Coil and/or Air Handler	Total Capacity BTU/H [kW]	Net Sensible BTU/H [kW]	Net Latent BTU/H [kW]	EER	SEER		
Rev. 4/5/13	RCFL-H*2417(ROLA-070E03)	18,700 [5.5]	14,000 [4.1]	4,700 [1.4]	13.00	16.00	74	600 [283]
	RCFL-H*2514+RXMD-C04	18,300 [5.4]	14,000 [4.1]	4,300 [1.3]	12.00	14.50	74	600 [283]
	RBHP-17(RCHL-24A2)	17,500 [5.1]	13,300 [3.9]	4,200 [1.2]	13.00	15.50	74	600 [283]
	RCQD-2417(RGFE-06?MCK?)	18,100 [5.3]	13,100 [3.8]	5,000 [1.5]	13.00	15.50	74	575 [271]
	RCQD-2417(RGFE-07?MCK?)	18,100 [5.3]	13,100 [3.8]	5,000 [1.5]	13.00	15.50	74	600 [283]
	RCQD-2417(RGFG-06NMCKS)	18,100 [5.3]	13,100 [3.8]	5,000 [1.5]	13.00	15.50	74	575 [271]
	RCQD-2417(RGFG-06EMCKS)	18,100 [5.3]	13,100 [3.8]	5,000 [1.5]	13.00	15.50	74	575 [271]
	RCQD-2417(RGFG-07EMCKS)	17,800 [5.2]	12,700 [3.7]	5,100 [1.5]	13.00	15.50	74	525 [248]
	RCQD-2417(RGFG-07NMCKS)	17,800 [5.2]	12,700 [3.7]	5,100 [1.5]	13.00	15.50	74	525 [248]
	RCQD-2417(RGJF-06?MCK?)	18,100 [5.3]	13,100 [3.8]	5,000 [1.5]	13.00	15.50	74	625 [295]
	RCQD-2417(RGJF-07?MCK?)	18,100 [5.3]	13,100 [3.8]	5,000 [1.5]	13.00	15.50	74	575 [271]
	RCQD-2417(RGPE-05?BMK?)	18,100 [5.3]	13,100 [3.8]	5,000 [1.5]	13.00	15.50	74	575 [271]
	RCQD-2417(RGPE-07?AMK?)	18,100 [5.3]	13,100 [3.8]	5,000 [1.5]	13.00	15.50	74	625 [295]
	RCQD-2417(RGPT-05?BMK?)	18,300 [5.4]	13,400 [3.9]	4,900 [1.4]	13.00	15.50	74	650 [307]
	RCQD-2417(RGPT-07?AMK?)	18,100 [5.3]	13,100 [3.8]	5,000 [1.5]	13.00	15.50	74	625 [295]
	RCQD-2417(RGRM-04?MAE?)	18,100 [5.3]	13,100 [3.8]	5,000 [1.5]	13.00	15.50	74	575 [271]
	RCQD-2417(RGRM-06?MAE?)	18,100 [5.3]	13,100 [3.8]	5,000 [1.5]	13.00	15.50	74	600 [283]
	RCQD-2417(RGRM-07?MAE?)	17,600 [5.2]	12,500 [3.7]	5,100 [1.5]	13.00	15.10	74	500 [236]
	RCQD-2417(RGTM-06?MAE?)	18,200 [5.3]	13,200 [3.9]	5,000 [1.5]	13.00	15.50	74	575 [271]
	RCQD-2417(ROCA-070E03)	18,100 [5.3]	13,100 [3.8]	5,000 [1.5]	13.00	15.50	74	600 [283]
RCQD-2417(ROLA-070E03)	18,100 [5.3]	13,100 [3.8]	5,000 [1.5]	13.00	15.50	74	600 [283]	
RCQD-2417+RXMD-C04	17,600 [5.2]	12,600 [3.7]	5,000 [1.5]	11.50	13.50	74	600 [283]	
RHKL-HM2417(RCSL-H*2417)	19,000 [5.6]	14,400 [4.2]	4,600 [1.3]	13.00	16.00	74	650 [307]	
RHLL-HM2417(RCSL-H*2417)	18,700 [5.5]	14,000 [4.1]	4,700 [1.4]	13.00	16.00	74	600 [283]	
RHSL-HM1817(RCSL-H*2417)	18,400 [5.4]	13,700 [4.0]	4,700 [1.4]	12.00	15.00	74	600 [283]	
19	RCFL-H*2617+RXMD-C04 ①	23,800 [7.0]	17,300 [5.1]	6,500 [1.9]	12.00	14.50	74	800 [378]
	RHAL-FR24P	24,400 [7.1]	19,300 [5.7]	5,100 [1.5]	12.00	14.50	74	800 [378]
	RHBL-FR24T	24,600 [7.2]	19,500 [5.7]	5,100 [1.5]	12.50	15.00	74	800 [378]
	RCFL-A*2414+RXMD-C04	22,600 [6.6]	15,800 [4.6]	6,800 [2.0]	11.50	13.50	74	800 [378]
	RCFL-A*2414C+RXMD-C04	22,600 [6.6]	15,800 [4.6]	6,800 [2.0]	11.50	13.50	74	800 [378]
	RCFL-A*2417(RGFE-06?MCK?)	23,800 [7.0]	17,000 [5.0]	6,800 [2.0]	13.00	15.50	74	725 [342]
	RCFL-A*2417(RGFE-07?MCK?)	23,800 [7.0]	17,000 [5.0]	6,800 [2.0]	13.00	15.50	74	725 [342]
	RCFL-A*2417(RGFG-06NMCKS)	23,800 [7.0]	17,000 [5.0]	6,800 [2.0]	13.00	15.50	74	725 [342]
	RCFL-A*2417(RGFG-06EMCKS)	23,800 [7.0]	17,000 [5.0]	6,800 [2.0]	13.00	15.50	74	725 [342]
	RCFL-A*2417(RGFG-07EMCKS)	24,000 [7.0]	17,400 [5.1]	6,600 [1.9]	13.00	15.50	74	800 [378]
	RCFL-A*2417(RGFG-07NMCKS)	24,000 [7.0]	17,400 [5.1]	6,600 [1.9]	13.00	15.50	74	800 [378]
	RCFL-A*2417(RGGE-06?MCK?)	23,800 [7.0]	17,000 [5.0]	6,800 [2.0]	13.00	15.50	74	725 [342]
	RCFL-A*2417(RGGE-07?MCK?)	23,800 [7.0]	17,100 [5.0]	6,700 [2.0]	13.00	15.50	74	750 [354]
	RCFL-A*2417(RGLE-07?AMK?)	24,000 [7.0]	17,300 [5.1]	6,700 [2.0]	13.00	15.50	74	750 [354]
	RCFL-A*2417(RGLT-07?AMK?)	23,600 [6.9]	16,700 [4.9]	6,900 [2.0]	13.00	16.00	74	675 [319]
	RCFL-A*2417(RGPE-05?BMK?)	23,800 [7.0]	17,100 [5.0]	6,700 [2.0]	13.00	15.50	74	750 [354]
	RCFL-A*2417(RGPE-07?AMK?)	23,800 [7.0]	17,000 [5.0]	6,800 [2.0]	13.00	15.50	74	725 [342]
	RCFL-A*2417(RGPT-05?BMK?)	23,400 [6.9]	16,400 [4.8]	7,000 [2.1]	13.00	15.50	74	650 [307]
	RCFL-A*2417(RGPT-07?AMK?)	24,400 [7.1]	17,900 [5.2]	6,500 [1.9]	13.00	15.50	74	850 [401]
	RCFL-A*2417(RGRM-04?MAE?)	23,800 [7.0]	17,100 [5.0]	6,700 [2.0]	12.50	15.10	74	750 [354]
	RCFL-A*2417(RGRM-06?MAE?)	24,000 [7.0]	17,400 [5.1]	6,600 [1.9]	13.00	15.50	74	775 [366]
	RCFL-A*2417(RGRM-07?MAE?)	24,000 [7.0]	17,400 [5.1]	6,600 [1.9]	12.50	15.10	74	800 [378]
	RCFL-A*2417(RGTM-06?MAE?)	24,000 [7.0]	17,300 [5.1]	6,700 [2.0]	13.00	15.50	74	750 [354]
	RCFL-A*2417(RHWP-04WMX36A)	24,000 [7.0]	17,400 [5.1]	6,600 [1.9]	13.00	15.50	74	825 [389]
RCFL-A*2417(ROCA-070E03)	24,200 [7.1]	17,600 [5.2]	6,600 [1.9]	13.00	15.50	74	800 [378]	

① Highest sales volume tested combination required by D.O.E. test procedures.

[] Designates Metric Conversions

Performance Data @ AHRI Standard Conditions—Cooling (con't.)

Model Numbers		80°F [26.5°C] DB/67°F [19.5°C] WB Indoor Air 95°F [35°C] DB Outdoor Air					Sound Rating dB	Indoor CFM [L/s]
Outdoor Unit 14AJM	Indoor Coil and/or Air Handler	Total Capacity BTU/H [kW]	Net Sensible BTU/H [kW]	Net Latent BTU/H [kW]	EER	SEER		
Rev. 4/5/13	RCFL-A*2417(ROCA-070E04)	24,200 [7.1]	17,600 [5.2]	6,600 [1.9]	13.00	15.50	74	800 [378]
	RCFL-A*2417(ROLA-070E03)	24,000 [7.0]	17,400 [5.1]	6,600 [1.9]	13.00	15.50	74	800 [378]
	RCFL-A*2417(ROLA-070E04)	23,800 [7.0]	17,000 [5.0]	6,800 [2.0]	13.00	15.50	74	725 [342]
	RCFL-A*2417+RXMD-C04	23,600 [6.9]	17,000 [5.0]	6,600 [1.9]	11.50	14.00	74	800 [378]
	RCFL-A*2514+RXMD-C04	23,600 [6.9]	17,500 [5.1]	6,100 [1.8]	12.00	14.50	74	700 [330]
	RCFL-H*2414+RXMD-C04	22,600 [6.6]	15,800 [4.6]	6,800 [2.0]	11.50	13.50	74	800 [378]
	RCFL-H*2414C+RXMD-C04	22,600 [6.6]	15,800 [4.6]	6,800 [2.0]	11.50	13.50	74	800 [378]
	RCFL-H*2417(RGFE-06?MCK?)	23,800 [7.0]	17,000 [5.0]	6,800 [2.0]	13.00	15.50	74	725 [342]
	RCFL-H*2417(RGFE-07?MCK?)	23,800 [7.0]	17,000 [5.0]	6,800 [2.0]	13.00	15.50	74	725 [342]
	RCFL-H*2417(RGFG-06NMCKS)	23,800 [7.0]	17,000 [5.0]	6,800 [2.0]	13.00	15.50	74	725 [342]
	RCFL-H*2417(RGFG-06EMCKS)	23,800 [7.0]	17,000 [5.0]	6,800 [2.0]	13.00	15.50	74	725 [342]
	RCFL-H*2417(RGFG-07EMCKS)	24,000 [7.0]	17,400 [5.1]	6,600 [1.9]	13.00	15.50	74	800 [378]
	RCFL-H*2417(RGFG-07NMCKS)	24,000 [7.0]	17,400 [5.1]	6,600 [1.9]	13.00	15.50	74	800 [378]
	RCFL-H*2417(RGGE-06?MCK?)	23,800 [7.0]	17,000 [5.0]	6,800 [2.0]	13.00	15.50	74	725 [342]
	RCFL-H*2417(RGGE-07?MCK?)	23,800 [7.0]	17,100 [5.0]	6,700 [2.0]	13.00	15.50	74	750 [354]
	RCFL-H*2417(RGJF-06?MCK?)	23,800 [7.0]	17,000 [5.0]	6,800 [2.0]	13.00	15.50	74	725 [342]
	RCFL-H*2417(RGJF-07?MCK?)	23,800 [7.0]	17,100 [5.0]	6,700 [2.0]	13.00	15.50	74	750 [354]
	RCFL-H*2417(RGLE-07?AMK?)	24,000 [7.0]	17,300 [5.1]	6,700 [2.0]	13.00	15.50	74	750 [354]
	RCFL-H*2417(RGLT-07?AMK?)	23,600 [6.9]	16,700 [4.9]	6,900 [2.0]	13.00	16.00	74	675 [319]
	RCFL-H*2417(RGPE-05?BMK?)	23,800 [7.0]	17,100 [5.0]	6,700 [2.0]	13.00	15.50	74	750 [354]
	RCFL-H*2417(RGPE-07?AMK?)	23,800 [7.0]	17,000 [5.0]	6,800 [2.0]	13.00	15.50	74	725 [342]
	RCFL-H*2417(RGPT-05?BMK?)	23,400 [6.9]	16,400 [4.8]	7,000 [2.1]	13.00	15.50	74	650 [307]
	RCFL-H*2417(RGPT-07?AMK?)	24,400 [7.1]	17,900 [5.2]	6,500 [1.9]	13.00	15.50	74	850 [401]
	RCFL-H*2417(RGRM-04?MAE?)	23,800 [7.0]	17,100 [5.0]	6,700 [2.0]	12.50	15.10	74	750 [354]
	RCFL-H*2417(RGRM-06?MAE?)	24,000 [7.0]	17,400 [5.1]	6,600 [1.9]	13.00	15.50	74	775 [366]
	RCFL-H*2417(RGRM-07?MAE?)	24,000 [7.0]	17,400 [5.1]	6,600 [1.9]	12.50	15.10	74	800 [378]
	RCFL-H*2417(RGTM-06?MAE?)	24,000 [7.0]	17,300 [5.1]	6,700 [2.0]	13.00	15.50	74	750 [354]
	RCFL-H*2417(RHWB-04WMX36A)	24,000 [7.0]	17,400 [5.1]	6,600 [1.9]	13.00	15.50	74	825 [389]
	RCFL-H*2417(ROCA-070E03)	24,200 [7.1]	17,600 [5.2]	6,600 [1.9]	13.00	15.50	74	800 [378]
	RCFL-H*2417(ROCA-070E04)	24,200 [7.1]	17,600 [5.2]	6,600 [1.9]	13.00	15.50	74	800 [378]
	RCFL-H*2417(ROLA-070E03)	24,000 [7.0]	17,400 [5.1]	6,600 [1.9]	13.00	15.50	74	800 [378]
	RCFL-H*2417(ROLA-070E04)	23,800 [7.0]	17,000 [5.0]	6,800 [2.0]	13.00	15.50	74	725 [342]
	RCFL-H*2417+RXMD-C04	23,600 [6.9]	17,000 [5.0]	6,600 [1.9]	11.50	14.00	74	800 [378]
	RCFL-H*2514+RXMD-C04	23,600 [6.9]	17,500 [5.1]	6,100 [1.8]	12.00	14.50	74	700 [330]
	RCFL-H*2617(RGFE-06?MCK?)	24,400 [7.1]	17,900 [5.2]	6,500 [1.9]	13.00	16.00	74	800 [378]
	RCFL-H*2617(RGFE-07?MCK?)	24,000 [7.0]	17,300 [5.1]	6,700 [2.0]	13.00	16.00	74	725 [342]
	RCFL-H*2617(RGFG-06NMCKS)	24,400 [7.1]	17,900 [5.2]	6,500 [1.9]	13.00	16.00	74	800 [378]
	RCFL-H*2617(RGFG-06EMCKS)	24,400 [7.1]	17,900 [5.2]	6,500 [1.9]	13.00	16.00	74	800 [378]
	RCFL-H*2617(RGFG-07EMCKS)	24,400 [7.1]	17,900 [5.2]	6,500 [1.9]	13.00	16.00	74	800 [378]
	RCFL-H*2617(RGFG-07NMCKS)	24,400 [7.1]	17,900 [5.2]	6,500 [1.9]	13.00	16.00	74	800 [378]
	RCFL-H*2617(RGGE-06?MCK?)	24,400 [7.1]	17,900 [5.2]	6,500 [1.9]	13.00	16.00	74	825 [389]
	RCFL-H*2617(RGGE-07?MCK?)	24,200 [7.1]	17,600 [5.2]	6,600 [1.9]	13.00	16.00	74	750 [354]
	RCFL-H*2617(RGJF-06?MCK?)	24,400 [7.1]	17,900 [5.2]	6,500 [1.9]	13.00	16.00	74	825 [389]
	RCFL-H*2617(RGJF-07?MCK?)	24,200 [7.1]	17,600 [5.2]	6,600 [1.9]	13.00	16.00	74	750 [354]
	RCFL-H*2617(RGLE-07?AMK?)	24,200 [7.1]	17,600 [5.2]	6,600 [1.9]	13.00	16.00	74	750 [354]
RCFL-H*2617(RGLT-07?AMK?)	24,000 [7.0]	17,200 [5.0]	6,800 [2.0]	13.00	16.00	74	675 [319]	
RCFL-H*2617(RGPE-05?BMK?)	24,200 [7.1]	17,600 [5.2]	6,600 [1.9]	13.00	16.00	74	750 [354]	
RCFL-H*2617(RGPE-07?AMK?)	24,400 [7.1]	17,900 [5.2]	6,500 [1.9]	13.00	16.00	74	825 [389]	
RCFL-H*2617(RGPT-05?BMK?)	24,800 [7.3]	18,600 [5.4]	6,200 [1.8]	13.00	15.50	74	900 [425]	
RCFL-H*2617(RGPT-07?AMK?)	25,000 [7.3]	18,800 [5.5]	6,200 [1.8]	13.00	16.00	74	900 [425]	

25

① Highest sales volume tested combination required by D.O.E. test procedures.

[] Designates Metric Conversions

Performance Data @ AHRI Standard Conditions—Cooling (con't.)

Model Numbers		80°F [26.5°C] DB/67°F [19.5°C] WB Indoor Air 95°F [35°C] DB Outdoor Air					Sound Rating dB	Indoor CFM [L/s]
Outdoor Unit 14AJM	Indoor Coil and/or Air Handler	Total Capacity BTU/H [kW]	Net Sensible BTU/H [kW]	Net Latent BTU/H [kW]	EER	SEER		
Rev. 4/5/13	RCFL-H*2617(RGRM-04?MAE?)	24,200 [7.1]	17,600 [5.2]	6,600 [1.9]	13.00	16.00	74	750 [354]
	RCFL-H*2617(RGRM-06?MAE?)	24,400 [7.1]	17,900 [5.2]	6,500 [1.9]	13.00	16.00	74	775 [366]
	RCFL-H*2617(RGRM-07?MAE?)	24,400 [7.1]	17,900 [5.2]	6,500 [1.9]	13.00	15.50	74	800 [378]
	RCFL-H*2617(RGTM-06?MAE?)	24,200 [7.1]	17,600 [5.2]	6,600 [1.9]	13.00	16.00	74	750 [354]
	RCFL-H*2617(RHWP-04WMX36A)	24,800 [7.3]	18,500 [5.4]	6,300 [1.8]	13.00	16.00	74	875 [413]
	RCFL-H*2617(ROCA-070E03)	24,400 [7.1]	17,900 [5.2]	6,500 [1.9]	13.00	16.00	74	800 [378]
	RCFL-H*2617(ROCA-070E04)	24,400 [7.1]	17,900 [5.2]	6,500 [1.9]	13.00	16.00	74	800 [378]
	RCFL-H*2617(ROLA-070E03)	24,400 [7.1]	17,900 [5.2]	6,500 [1.9]	13.00	16.00	74	800 [378]
	RCFL-H*2617(ROLA-070E04)	24,000 [7.0]	17,300 [5.1]	6,700 [2.0]	13.00	16.00	74	725 [342]
	RCFL-H*2621(RGFE-06?MCK?)	24,400 [7.1]	17,900 [5.2]	6,500 [1.9]	13.00	16.00	74	800 [378]
	RCFL-H*2621(RGFE-07?MCK?)	24,000 [7.0]	17,300 [5.1]	6,700 [2.0]	13.00	16.00	74	725 [342]
	RCFL-H*2621(RGFE-09?ZCM?)	24,600 [7.2]	18,100 [5.3]	6,500 [1.9]	13.00	16.00	74	775 [366]
	RCFL-H*2621(RGFE-10?ZCM?)	24,600 [7.2]	18,100 [5.3]	6,500 [1.9]	13.00	16.00	74	800 [378]
	RCFL-H*2621(RGFG-06NMCKS)	24,400 [7.1]	17,900 [5.2]	6,500 [1.9]	13.00	16.00	74	800 [378]
	RCFL-H*2621(RGFG-06EMCKS)	24,400 [7.1]	17,900 [5.2]	6,500 [1.9]	13.00	16.00	74	800 [378]
	RCFL-H*2621(RGFG-07EMCKS)	24,400 [7.1]	17,900 [5.2]	6,500 [1.9]	13.00	16.00	74	800 [378]
	RCFL-H*2621(RGFG-07NMCKS)	24,400 [7.1]	17,900 [5.2]	6,500 [1.9]	13.00	16.00	74	800 [378]
	RCFL-H*2621(RGFG-09NZCMS)	24,600 [7.2]	18,100 [5.3]	6,500 [1.9]	13.00	16.00	74	775 [366]
	RCFL-H*2621(RGFG-09EZCMS)	24,600 [7.2]	18,100 [5.3]	6,500 [1.9]	13.00	16.00	74	775 [366]
	RCFL-H*2621(RGFG-10EZCMS)	24,200 [7.1]	17,500 [5.1]	6,700 [2.0]	13.00	16.00	74	725 [342]
	RCFL-H*2621(RGFG-10NZCMS)	24,200 [7.1]	17,500 [5.1]	6,700 [2.0]	13.00	16.00	74	725 [342]
	RCFL-H*2621(RGGE-06?MCK?)	24,400 [7.1]	17,900 [5.2]	6,500 [1.9]	13.00	16.00	74	825 [389]
	RCFL-H*2621(RGGE-07?MCK?)	24,200 [7.1]	17,600 [5.2]	6,600 [1.9]	13.00	16.00	74	750 [354]
	RCFL-H*2621(RGGE-09?ZCM?)	24,600 [7.2]	18,100 [5.3]	6,500 [1.9]	13.00	16.00	74	775 [366]
	RCFL-H*2621(RGGE-10?ZCM?)	24,600 [7.2]	18,100 [5.3]	6,500 [1.9]	13.00	16.00	74	775 [366]
	RCFL-H*2621(RGJF-06?MCK?)	24,400 [7.1]	17,900 [5.2]	6,500 [1.9]	13.00	16.00	74	825 [389]
	RCFL-H*2621(RGJF-07?MCK?)	24,200 [7.1]	17,600 [5.2]	6,600 [1.9]	13.00	16.00	74	750 [354]
	RCFL-H*2621(RGJF-09?ZCM?)	24,600 [7.2]	18,100 [5.3]	6,500 [1.9]	13.00	16.00	74	775 [366]
	RCFL-H*2621(RGJF-10?ZCM?)	24,600 [7.2]	18,100 [5.3]	6,500 [1.9]	13.00	16.00	74	775 [366]
	RCFL-H*2621(RGLE-07?AMK?)	24,200 [7.1]	17,600 [5.2]	6,600 [1.9]	13.00	16.00	74	750 [354]
	RCFL-H*2621(RGLE-07?BRQ?)	24,600 [7.2]	18,100 [5.3]	6,500 [1.9]	13.00	16.00	74	775 [366]
	RCFL-H*2621(RGLE-10?BRM?)	25,000 [7.3]	18,700 [5.5]	6,300 [1.8]	13.00	16.00	74	875 [413]
	RCFL-H*2621(RGLT-07?AMK?)	24,000 [7.0]	17,200 [5.0]	6,800 [2.0]	13.00	16.00	74	675 [319]
	RCFL-H*2621(RGPE-05?BMK?)	24,400 [7.1]	17,900 [5.2]	6,500 [1.9]	13.00	16.00	74	800 [378]
	RCFL-H*2621(RGPE-07?AMK?)	24,400 [7.1]	17,900 [5.2]	6,500 [1.9]	13.00	16.00	74	825 [389]
	RCFL-H*2621(RGPE-07?BRQ?)	24,200 [7.1]	17,500 [5.1]	6,700 [2.0]	13.00	16.00	74	725 [342]
	RCFL-H*2621(RGPE-10?BRM?)	25,000 [7.3]	18,800 [5.5]	6,200 [1.8]	13.00	16.00	74	900 [425]
	RCFL-H*2621(RGPT-05?BMK?)	24,800 [7.3]	18,600 [5.4]	6,200 [1.8]	13.00	16.00	74	900 [425]
	RCFL-H*2621(RGRM-04?MAE?)	24,200 [7.1]	17,600 [5.2]	6,600 [1.9]	13.00	16.00	74	750 [354]
	RCFL-H*2621(RGRM-06?MAE?)	24,400 [7.1]	17,900 [5.2]	6,500 [1.9]	13.00	16.00	74	775 [366]
RCFL-H*2621(RGRM-07?MAE?)	24,400 [7.1]	17,900 [5.2]	6,500 [1.9]	13.00	15.50	74	800 [378]	
RCFL-H*2621(RGRM-07?YBG?)	23,800 [7.0]	17,100 [5.0]	6,700 [2.0]	13.00	15.50	74	700 [330]	
RCFL-H*2621(RGRM-10?ZAJ?)	24,800 [7.3]	18,500 [5.4]	6,300 [1.8]	13.00	15.50	74	875 [413]	
RCFL-H*2621(RGTM-06?MAE?)	24,200 [7.1]	17,600 [5.2]	6,600 [1.9]	13.00	16.00	74	750 [354]	
RCFL-H*2621(RGTM-07?RBG?)	24,600 [7.2]	18,100 [5.3]	6,500 [1.9]	13.00	16.00	74	800 [378]	
RCFL-H*2621(RHWP-04WMX36A)	24,800 [7.3]	18,500 [5.4]	6,300 [1.8]	13.00	16.00	74	875 [413]	
RCFL-H*2621(ROCA-070E03)	24,400 [7.1]	17,900 [5.2]	6,500 [1.9]	13.00	16.00	74	800 [378]	
RCFL-H*2621(ROCA-070E04)	24,400 [7.1]	17,900 [5.2]	6,500 [1.9]	13.00	16.00	74	800 [378]	
RCFL-H*2621(ROLA-070E03)	24,400 [7.1]	17,900 [5.2]	6,500 [1.9]	13.00	16.00	74	800 [378]	
RCFL-H*2621(ROLA-070E04)	24,200 [7.1]	17,500 [5.1]	6,700 [2.0]	13.00	16.00	74	725 [342]	

25

① Highest sales volume tested combination required by D.O.E. test procedures.

[] Designates Metric Conversions

Performance Data @ AHRI Standard Conditions—Cooling (con't.)

Model Numbers		80°F [26.5°C] DB/67°F [19.5°C] WB Indoor Air 95°F [35°C] DB Outdoor Air					Sound Rating dB	Indoor CFM [L/s]
Outdoor Unit 14AJM	Indoor Coil and/or Air Handler	Total Capacity BTU/H [kW]	Net Sensible BTU/H [kW]	Net Latent BTU/H [kW]	EER	SEER		
Rev. 4/5/13	RCFL-H*2621(ROLA-115E05)	25,000 [7.3]	18,800 [5.5]	6,200 [1.8]	13.00	16.00	74	900 [425]
	RCFL-H*2621+RXMD-C04	23,800 [7.0]	17,300 [5.1]	6,500 [1.9]	12.00	14.50	74	800 [378]
	RCFN-H*2417(RGFE-06?MCK?)	24,400 [7.1]	17,900 [5.2]	6,500 [1.9]	13.00	16.00	74	800 [378]
	RCFN-H*2417(RGFE-07?MCK?)	24,000 [7.0]	17,300 [5.1]	6,700 [2.0]	13.00	16.00	74	725 [342]
	RCFN-H*2417(RGFG-06NMCKS)	24,400 [7.1]	17,900 [5.2]	6,500 [1.9]	13.00	16.00	74	800 [378]
	RCFN-H*2417(RGFG-06EMCKS)	24,400 [7.1]	17,900 [5.2]	6,500 [1.9]	13.00	16.00	74	800 [378]
	RCFN-H*2417(RGFG-07EMCKS)	24,400 [7.1]	17,900 [5.2]	6,500 [1.9]	13.00	16.00	74	800 [378]
	RCFN-H*2417(RGFG-07NMCKS)	24,400 [7.1]	17,900 [5.2]	6,500 [1.9]	13.00	16.00	74	800 [378]
	RCFN-H*2417(RGGE-06?MCK?)	24,400 [7.1]	17,900 [5.2]	6,500 [1.9]	13.00	16.00	74	825 [389]
	RCFN-H*2417(RGGE-07?MCK?)	24,200 [7.1]	17,600 [5.2]	6,600 [1.9]	13.00	16.00	74	750 [354]
	RCFN-H*2417(RGJF-06?MCK?)	24,400 [7.1]	17,900 [5.2]	6,500 [1.9]	13.00	16.00	74	825 [389]
	RCFN-H*2417(RGJF-07?MCK?)	24,200 [7.1]	17,600 [5.2]	6,600 [1.9]	13.00	16.00	74	750 [354]
	RCFN-H*2417(RGLE-07?AMK?)	24,200 [7.1]	17,600 [5.2]	6,600 [1.9]	13.00	16.00	74	750 [354]
	RCFN-H*2417(RGLT-07?AMK?)	24,000 [7.0]	17,200 [5.0]	6,800 [2.0]	13.00	16.00	74	675 [319]
	RCFN-H*2417(RGPE-05?BMK?)	24,200 [7.1]	17,600 [5.2]	6,600 [1.9]	13.00	16.00	74	750 [354]
	RCFN-H*2417(RGPE-07?AMK?)	24,400 [7.1]	17,900 [5.2]	6,500 [1.9]	13.00	16.00	74	825 [389]
	RCFN-H*2417(RGPT-05?BMK?)	24,800 [7.3]	18,600 [5.4]	6,200 [1.8]	13.00	15.50	74	900 [425]
	RCFN-H*2417(RGPT-07?AMK?)	25,000 [7.3]	18,800 [5.5]	6,200 [1.8]	13.00	16.00	74	900 [425]
	RCFN-H*2417(RGRM-04?MAE?)	24,200 [7.1]	17,600 [5.2]	6,600 [1.9]	13.00	16.00	74	750 [354]
	RCFN-H*2417(RGRM-06?MAE?)	24,400 [7.1]	17,900 [5.2]	6,500 [1.9]	13.00	16.00	74	775 [366]
	RCFN-H*2417(RGRM-07?MAE?)	24,400 [7.1]	17,900 [5.2]	6,500 [1.9]	13.00	15.50	74	800 [378]
	RCFN-H*2417(RGTM-06?MAE?)	24,200 [7.1]	17,600 [5.2]	6,600 [1.9]	13.00	16.00	74	750 [354]
	RCFN-H*2417(RHWB-04WMX36A)	24,800 [7.3]	18,500 [5.4]	6,300 [1.8]	13.00	16.00	74	875 [413]
	RCFN-H*2417(ROCA-07OE03)	24,400 [7.1]	17,900 [5.2]	6,500 [1.9]	13.00	16.00	74	800 [378]
	RCFN-H*2417(ROCA-07OE04)	24,400 [7.1]	17,900 [5.2]	6,500 [1.9]	13.00	16.00	74	800 [378]
	RCFN-H*2417(ROLA-07OE03)	24,400 [7.1]	17,900 [5.2]	6,500 [1.9]	13.00	16.00	74	800 [378]
	RCFN-H*2417(ROLA-07OE04)	24,000 [7.0]	17,300 [5.1]	6,700 [2.0]	13.00	16.00	74	725 [342]
	RCFN-H*2417+RXMD-C04	23,800 [7.0]	17,300 [5.1]	6,500 [1.9]	12.00	14.50	74	800 [378]
	RCFN-H*2421(RGFE-06?MCK?)	24,400 [7.1]	17,900 [5.2]	6,500 [1.9]	13.00	16.00	74	800 [378]
	RCFN-H*2421(RGFE-07?MCK?)	24,000 [7.0]	17,300 [5.1]	6,700 [2.0]	13.00	16.00	74	725 [342]
	RCFN-H*2421(RGFE-09?ZCM?)	24,600 [7.2]	18,100 [5.3]	6,500 [1.9]	13.00	16.00	74	775 [366]
	RCFN-H*2421(RGFE-10?ZCM?)	24,600 [7.2]	18,100 [5.3]	6,500 [1.9]	13.00	16.00	74	800 [378]
	RCFN-H*2421(RGFG-06NMCKS)	24,400 [7.1]	17,900 [5.2]	6,500 [1.9]	13.00	16.00	74	800 [378]
	RCFN-H*2421(RGFG-06EMCKS)	24,400 [7.1]	17,900 [5.2]	6,500 [1.9]	13.00	16.00	74	800 [378]
	RCFN-H*2421(RGFG-07EMCKS)	24,400 [7.1]	17,900 [5.2]	6,500 [1.9]	13.00	16.00	74	800 [378]
	RCFN-H*2421(RGFG-07NMCKS)	24,400 [7.1]	17,900 [5.2]	6,500 [1.9]	13.00	16.00	74	800 [378]
	RCFN-H*2421(RGFG-09NZCMS)	24,600 [7.2]	18,100 [5.3]	6,500 [1.9]	13.00	16.00	74	775 [366]
	RCFN-H*2421(RGFG-09EZCMS)	24,600 [7.2]	18,100 [5.3]	6,500 [1.9]	13.00	16.00	74	775 [366]
	RCFN-H*2421(RGFG-10EZCMS)	24,200 [7.1]	17,500 [5.1]	6,700 [2.0]	13.00	16.00	74	725 [342]
	RCFN-H*2421(RGFG-10NZCMS)	24,200 [7.1]	17,500 [5.1]	6,700 [2.0]	13.00	16.00	74	725 [342]
	RCFN-H*2421(RGGE-06?MCK?)	24,400 [7.1]	17,900 [5.2]	6,500 [1.9]	13.00	16.00	74	825 [389]
	RCFN-H*2421(RGGE-07?MCK?)	24,200 [7.1]	17,600 [5.2]	6,600 [1.9]	13.00	16.00	74	750 [354]
RCFN-H*2421(RGGE-09?ZCM?)	24,600 [7.2]	18,100 [5.3]	6,500 [1.9]	13.00	16.00	74	775 [366]	
RCFN-H*2421(RGGE-10?ZCM?)	24,600 [7.2]	18,100 [5.3]	6,500 [1.9]	13.00	16.00	74	775 [366]	
RCFN-H*2421(RGJF-06?MCK?)	24,400 [7.1]	17,900 [5.2]	6,500 [1.9]	13.00	16.00	74	825 [389]	
RCFN-H*2421(RGJF-07?MCK?)	24,200 [7.1]	17,600 [5.2]	6,600 [1.9]	13.00	16.00	74	750 [354]	
RCFN-H*2421(RGJF-09?ZCM?)	24,600 [7.2]	18,100 [5.3]	6,500 [1.9]	13.00	16.00	74	775 [366]	
RCFN-H*2421(RGJF-10?ZCM?)	24,600 [7.2]	18,100 [5.3]	6,500 [1.9]	13.00	16.00	74	775 [366]	
RCFN-H*2421(RGLE-07?AMK?)	24,200 [7.1]	17,600 [5.2]	6,600 [1.9]	13.00	16.00	74	750 [354]	
RCFN-H*2421(RGLE-07?BRQ?)	24,600 [7.2]	18,100 [5.3]	6,500 [1.9]	13.00	16.00	74	775 [366]	

25

Ⓢ Highest sales volume tested combination required by D.O.E. test procedures.

[] Designates Metric Conversions

Performance Data @ AHRI Standard Conditions—Cooling (con't.)

Model Numbers		80°F [26.5°C] DB/67°F [19.5°C] WB Indoor Air 95°F [35°C] DB Outdoor Air					Sound Rating dB	Indoor CFM [L/s]	
Outdoor Unit 14AJM	Indoor Coil and/or Air Handler	Total Capacity BTU/H [kW]	Net Sensible BTU/H [kW]	Net Latent BTU/H [kW]	EER	SEER			
Rev. 4/5/13	RCFN-H*2421(RGLE-10?BRM?)	25,000 [7.3]	18,700 [5.5]	6,300 [1.8]	13.00	16.00	74	875 [413]	
	RCFN-H*2421(RGLT-07?AMK?)	24,000 [7.0]	17,200 [5.0]	6,800 [2.0]	13.00	16.00	74	675 [319]	
	RCFN-H*2421(RGPE-05?BMK?)	24,400 [7.1]	17,900 [5.2]	6,500 [1.9]	13.00	16.00	74	800 [378]	
	RCFN-H*2421(RGPE-07?AMK?)	24,400 [7.1]	17,900 [5.2]	6,500 [1.9]	13.00	16.00	74	825 [389]	
	RCFN-H*2421(RGPE-07?BRQ?)	24,200 [7.1]	17,500 [5.1]	6,700 [2.0]	13.00	16.00	74	725 [342]	
	RCFN-H*2421(RGPE-10?BRM?)	25,000 [7.3]	18,800 [5.5]	6,200 [1.8]	13.00	16.00	74	900 [425]	
	RCFN-H*2421(RGPT-05?BMK?)	24,800 [7.3]	18,600 [5.4]	6,200 [1.8]	13.00	16.00	74	900 [425]	
	RCFN-H*2421(RGRM-04?MAE?)	24,200 [7.1]	17,600 [5.2]	6,600 [1.9]	13.00	16.00	74	750 [354]	
	RCFN-H*2421(RGRM-06?MAE?)	24,400 [7.1]	17,900 [5.2]	6,500 [1.9]	13.00	16.00	74	775 [366]	
	RCFN-H*2421(RGRM-07?MAE?)	24,400 [7.1]	17,900 [5.2]	6,500 [1.9]	13.00	15.50	74	800 [378]	
	RCFN-H*2421(RGRM-07?YBG?)	23,800 [7.0]	17,100 [5.0]	6,700 [2.0]	13.00	15.50	74	700 [330]	
	RCFN-H*2421(RGRM-10?ZAJ?)	24,800 [7.3]	18,500 [5.4]	6,300 [1.8]	13.00	15.50	74	875 [413]	
	RCFN-H*2421(RGTM-06?MAE?)	24,200 [7.1]	17,600 [5.2]	6,600 [1.9]	13.00	16.00	74	750 [354]	
	RCFN-H*2421(RGTM-07?RBG?)	24,600 [7.2]	18,100 [5.3]	6,500 [1.9]	13.00	16.00	74	800 [378]	
	RCFN-H*2421(RHWP-04WMX36A)	24,800 [7.3]	18,500 [5.4]	6,300 [1.8]	13.00	16.00	74	875 [413]	
	RCFN-H*2421(ROCA-070E03)	24,400 [7.1]	17,900 [5.2]	6,500 [1.9]	13.00	16.00	74	800 [378]	
	RCFN-H*2421(ROCA-070E04)	24,400 [7.1]	17,900 [5.2]	6,500 [1.9]	13.00	16.00	74	800 [378]	
	RCFN-H*2421(ROLA-070E03)	24,400 [7.1]	17,900 [5.2]	6,500 [1.9]	13.00	16.00	74	800 [378]	
	RCFN-H*2421(ROLA-070E04)	24,200 [7.1]	17,500 [5.1]	6,700 [2.0]	13.00	16.00	74	725 [342]	
	RCFN-H*2421(ROLA-115E05)	25,000 [7.3]	18,800 [5.5]	6,200 [1.8]	13.00	16.00	74	900 [425]	
	RCFN-H*2421+RXMD-C04	23,800 [7.0]	17,300 [5.1]	6,500 [1.9]	12.00	14.50	74	800 [378]	
	RBHP-17(RCHL-24A2)	23,200 [6.8]	17,100 [5.0]	6,100 [1.8]	12.50	15.00	74	800 [378]	
	RBHM-17J(RCQD-2417)	24,600 [7.2]	19,000 [5.6]	5,600 [1.6]	13.00	16.00	74	825 [389]	
	25	RCQD-2417(RGFE-06?MCK?)	24,800 [7.3]	19,200 [5.6]	5,600 [1.6]	13.00	16.00	74	800 [378]
		RCQD-2417(RGFE-07?MCK?)	24,400 [7.1]	18,600 [5.4]	5,800 [1.7]	13.00	16.00	74	725 [342]
		RCQD-2417(RGFG-06NMCKS)	24,800 [7.3]	19,200 [5.6]	5,600 [1.6]	13.00	16.00	74	800 [378]
		RCQD-2417(RGFG-06EMCKS)	24,800 [7.3]	19,200 [5.6]	5,600 [1.6]	13.00	16.00	74	800 [378]
		RCQD-2417(RGFG-07EMCKS)	24,800 [7.3]	19,200 [5.6]	5,600 [1.6]	13.00	16.00	74	800 [378]
		RCQD-2417(RGFG-07NMCKS)	24,800 [7.3]	19,200 [5.6]	5,600 [1.6]	13.00	16.00	74	800 [378]
		RCQD-2417(RGJF-06?MCK?)	24,800 [7.3]	19,200 [5.6]	5,600 [1.6]	13.00	16.00	74	825 [389]
		RCQD-2417(RGJF-07?MCK?)	24,400 [7.1]	18,700 [5.5]	5,700 [1.7]	13.00	16.00	74	750 [354]
		RCQD-2417(RGPE-05?BMK?)	24,800 [7.3]	19,200 [5.6]	5,600 [1.6]	13.00	16.00	74	800 [378]
		RCQD-2417(RGPE-07?AMK?)	24,800 [7.3]	19,200 [5.6]	5,600 [1.6]	13.00	16.00	74	825 [389]
		RCQD-2417(RGPT-05?BMK?)	25,200 [7.4]	19,900 [5.8]	5,300 [1.6]	13.00	16.00	74	900 [425]
		RCQD-2417(RGRM-04?MAE?)	24,400 [7.1]	18,700 [5.5]	5,700 [1.7]	13.00	16.00	74	750 [354]
		RCQD-2417(RGRM-06?MAE?)	24,800 [7.3]	19,200 [5.6]	5,600 [1.6]	13.00	16.00	74	775 [366]
		RCQD-2417(RGRM-07?MAE?)	24,600 [7.2]	19,000 [5.6]	5,600 [1.6]	13.00	16.00	74	800 [378]
		RCQD-2417(RGTM-06?MAE?)	24,600 [7.2]	18,900 [5.5]	5,700 [1.7]	13.00	16.00	74	750 [354]
		RCQD-2417(RHWP-04WMX36A)	25,200 [7.4]	19,900 [5.8]	5,300 [1.6]	13.00	16.00	74	875 [413]
		RCQD-2417(ROCA-070E03)	24,800 [7.3]	19,200 [5.6]	5,600 [1.6]	13.00	16.00	74	800 [378]
		RCQD-2417(ROCA-070E04)	24,800 [7.3]	19,200 [5.6]	5,600 [1.6]	13.00	16.00	74	800 [378]
		RCQD-2417(ROLA-070E03)	24,800 [7.3]	19,200 [5.6]	5,600 [1.6]	13.00	16.00	74	800 [378]
		RCQD-2417(ROLA-070E04)	24,400 [7.1]	18,600 [5.4]	5,800 [1.7]	13.00	16.00	74	725 [342]
		RCQD-2417+RXMD-C04	24,200 [7.1]	18,600 [5.4]	5,600 [1.6]	12.00	14.50	74	800 [378]
		RHKL-HM2417(RCSL-H*2417)	23,400 [6.9]	16,400 [4.8]	7,000 [2.1]	13.00	15.50	74	650 [307]
RHLL-HM2417(RCSL-H*2417)		24,200 [7.1]	17,600 [5.2]	6,600 [1.9]	13.00	16.00	74	800 [378]	
RHSL-HM2417(RCSL-H*2417)		23,800 [7.0]	17,200 [5.0]	6,600 [1.9]	12.00	14.50	74	800 [378]	
30		RCFL-H*3617+RXMD-C04 ①	28,200 [8.3]	20,200 [5.9]	8,000 [2.3]	12.00	14.50	76	950 [448]
	RHAL-FR30P	28,400 [8.3]	21,900 [6.4]	6,500 [1.9]	12.00	14.50	76	975 [460]	
	RHBL-FR36T	28,800 [8.4]	22,300 [6.5]	6,500 [1.9]	13.00	16.00	76	1,025 [484]	

① Highest sales volume tested combination required by D.O.E. test procedures.

[] Designates Metric Conversions

Performance Data @ AHRI Standard Conditions—Cooling (con't.)

Model Numbers		80°F [26.5°C] DB/67°F [19.5°C] WB Indoor Air 95°F [35°C] DB Outdoor Air					Sound Rating dB	Indoor CFM [L/s]
Outdoor Unit 14AJM	Indoor Coil and/or Air Handler	Total Capacity BTU/H [kW]	Net Sensible BTU/H [kW]	Net Latent BTU/H [kW]	EER	SEER		
Rev. 4/5/13	RCFL-A*3617(RGFE-06?MCK?)	28,400 [8.3]	20,050 [5.9]	8,350 [2.4]	12.50	15.10	76	875 [413]
	RCFL-A*3617(RGFE-07?MCK?)	28,400 [8.3]	20,050 [5.9]	8,350 [2.4]	12.50	15.10	76	875 [413]
	RCFL-A*3617(RGFG-06NMCKS)	28,000 [8.2]	19,400 [5.7]	8,600 [2.5]	13.00	15.50	76	800 [378]
	RCFL-A*3617(RGFG-06EMCKS)	28,000 [8.2]	19,400 [5.7]	8,600 [2.5]	13.00	15.50	76	800 [378]
	RCFL-A*3617(RGFG-07EMCKS)	28,200 [8.3]	19,500 [5.7]	8,700 [2.5]	13.00	15.50	76	800 [378]
	RCFL-A*3617(RGFG-07NMCKS)	28,200 [8.3]	19,500 [5.7]	8,700 [2.5]	13.00	15.50	76	800 [378]
	RCFL-A*3617(RGGE-06?MCK?)	28,800 [8.4]	20,700 [6.1]	8,100 [2.4]	13.00	15.50	76	925 [437]
	RCFL-A*3617(RGGE-07?MCK?)	28,400 [8.3]	20,050 [5.9]	8,350 [2.4]	13.00	15.50	76	875 [413]
	RCFL-A*3617(RGLE-07?AMK?)	28,800 [8.4]	21,100 [6.2]	7,700 [2.3]	13.00	15.50	76	1,025 [484]
	RCFL-A*3617(RGLE-07?BRQ?)	29,000 [8.5]	20,850 [6.1]	8,150 [2.4]	13.00	16.00	76	925 [437]
	RCFL-A*3617(RGLT-07?AMK?)	28,600 [8.4]	20,200 [5.9]	8,400 [2.5]	13.00	15.50	76	875 [413]
	RCFL-A*3617(RGPE-05?BMK?)	28,600 [8.4]	20,300 [5.9]	8,300 [2.4]	13.00	15.50	76	900 [425]
	RCFL-A*3617(RGPE-07?AMK?)	28,600 [8.4]	20,300 [5.9]	8,300 [2.4]	13.00	15.50	76	900 [425]
	RCFL-A*3617(RGPT-05?BMK?)	28,400 [8.3]	19,950 [5.8]	8,450 [2.5]	13.00	15.50	76	850 [401]
	RCFL-A*3617(RGPT-07?AMK?)	28,400 [8.3]	20,000 [5.9]	8,400 [2.5]	13.00	15.50	76	875 [413]
	RCFL-A*3617(RGRM-04?MAE?)	28,800 [8.4]	21,050 [6.2]	7,750 [2.3]	12.00	14.50	76	1,025 [484]
	RCFL-A*3617(RGRM-06?MAE?)	28,800 [8.4]	20,950 [6.1]	7,850 [2.3]	12.00	14.50	76	1,000 [472]
	RCFL-A*3617(RGRM-07?MAE?)	28,200 [8.3]	19,800 [5.8]	8,400 [2.5]	12.50	15.10	76	850 [401]
	RCFL-A*3617(RGTM-06?MAE?)	28,600 [8.4]	20,300 [5.9]	8,300 [2.4]	13.00	15.50	76	900 [425]
	RCFL-A*3617(RGTM-07?RBG?)	29,200 [8.6]	21,450 [6.3]	7,750 [2.3]	13.00	15.50	76	1,050 [495]
	RCFL-A*3617(RGTM-09?ZAJ?)	28,800 [8.4]	20,650 [6.1]	8,150 [2.4]	13.00	15.50	76	975 [460]
	RCFL-A*3617(RHWB-04WMX36A)	28,800 [8.4]	21,200 [6.2]	7,600 [2.2]	13.00	15.50	76	1,050 [495]
	RCFL-A*3617(RHWB-06WMX48A)	28,800 [8.4]	20,800 [6.1]	8,000 [2.3]	13.00	15.50	76	975 [460]
	RCFL-A*3617(ROCA-070E03)	28,800 [8.4]	21,000 [6.2]	7,800 [2.3]	13.00	15.50	76	1,000 [472]
	RCFL-A*3617(ROCA-070E04)	28,800 [8.4]	21,000 [6.2]	7,800 [2.3]	13.00	15.50	76	1,000 [472]
	RCFL-A*3617(ROLA-070E03)	28,800 [8.4]	20,700 [6.1]	8,100 [2.4]	13.00	15.50	76	975 [460]
	RCFL-A*3617(ROLA-070E04)	28,800 [8.4]	20,700 [6.1]	8,100 [2.4]	13.00	15.50	76	975 [460]
	RCFL-A*3617+RXMD-C04	28,400 [8.3]	20,400 [6.0]	8,000 [2.3]	12.00	14.50	76	950 [448]
	RCFL-A*3621(RGFE-06?MCK?)	28,800 [8.4]	20,900 [6.1]	7,900 [2.3]	12.50	15.10	76	1,000 [472]
	RCFL-A*3621(RGFE-07?MCK?)	28,400 [8.3]	20,050 [5.9]	8,350 [2.4]	12.50	15.10	76	875 [413]
RCFL-A*3621(RGFE-09?ZCM?)	28,800 [8.4]	20,700 [6.1]	8,100 [2.4]	13.00	15.50	76	975 [460]	
RCFL-A*3621(RGFE-10?ZCM?)	29,000 [8.5]	21,050 [6.2]	7,950 [2.3]	13.00	15.50	76	1,000 [472]	
RCFL-A*3621(RGFG-06NMCKS)	28,000 [8.2]	19,400 [5.7]	8,600 [2.5]	13.00	15.50	76	800 [378]	
RCFL-A*3621(RGFG-06EMCKS)	28,000 [8.2]	19,400 [5.7]	8,600 [2.5]	13.00	15.50	76	800 [378]	
RCFL-A*3621(RGFG-07EMCKS)	28,200 [8.3]	19,500 [5.7]	8,700 [2.5]	13.00	15.50	76	800 [378]	
RCFL-A*3621(RGFG-07NMCKS)	28,200 [8.3]	19,500 [5.7]	8,700 [2.5]	13.00	15.50	76	800 [378]	
RCFL-A*3621(RGFG-09NZCMS)	28,400 [8.3]	20,000 [5.9]	8,400 [2.5]	13.00	15.50	76	875 [413]	
RCFL-A*3621(RGFG-09EZCMS)	28,400 [8.3]	20,000 [5.9]	8,400 [2.5]	13.00	15.50	76	875 [413]	
RCFL-A*3621(RGFG-10EZCMS)	28,200 [8.3]	19,500 [5.7]	8,700 [2.5]	13.00	15.50	76	800 [378]	
RCFL-A*3621(RGFG-10NZCMS)	28,200 [8.3]	19,500 [5.7]	8,700 [2.5]	13.00	15.50	76	800 [378]	
RCFL-A*3621(RGGE-06?MCK?)	28,800 [8.4]	20,650 [6.1]	8,150 [2.4]	13.00	15.50	76	925 [437]	
RCFL-A*3621(RGGE-07?MCK?)	28,400 [8.3]	20,050 [5.9]	8,350 [2.4]	13.00	15.50	76	875 [413]	
RCFL-A*3621(RGGE-09?ZCM?)	28,800 [8.4]	21,000 [6.2]	7,800 [2.3]	13.00	15.50	76	1,000 [472]	
RCFL-A*3621(RGGE-10?ZCM?)	28,800 [8.4]	21,000 [6.2]	7,800 [2.3]	13.00	15.50	76	1,000 [472]	
RCFL-A*3621(RGLE-07?AMK?)	28,800 [8.4]	21,100 [6.2]	7,700 [2.3]	13.00	15.50	76	1,025 [484]	
RCFL-A*3621(RGLE-07?BRQ?)	28,800 [8.4]	20,800 [6.1]	8,000 [2.3]	13.00	16.00	76	925 [437]	
RCFL-A*3621(RGLE-10?BRM?)	28,800 [8.4]	21,200 [6.2]	7,600 [2.2]	13.00	16.00	76	1,050 [495]	
RCFL-A*3621(RGLT-07?AMK?)	28,600 [8.4]	20,200 [5.9]	8,400 [2.5]	13.00	16.00	76	875 [413]	
RCFL-A*3621(RGLT-07?BRQ?)	28,800 [8.4]	20,650 [6.1]	8,150 [2.4]	13.00	16.00	76	975 [460]	
RCFL-A*3621(RGLT-10?BRM?)	29,000 [8.5]	20,850 [6.1]	8,150 [2.4]	13.00	16.00	76	975 [460]	

30

① Highest sales volume tested combination required by D.O.E. test procedures.

[] Designates Metric Conversions

Performance Data @ AHRI Standard Conditions—Cooling (con't.)

Model Numbers		80°F [26.5°C] DB/67°F [19.5°C] WB Indoor Air 95°F [35°C] DB Outdoor Air					Sound Rating dB	Indoor CFM [L/s]
Outdoor Unit 14AJM	Indoor Coil and/or Air Handler	Total Capacity BTU/H [kW]	Net Sensible BTU/H [kW]	Net Latent BTU/H [kW]	EER	SEER		
Rev. 4/5/13	RCFL-A*3621(RGPE-05?BMK?)	28,600 [8.4]	20,300 [5.9]	8,300 [2.4]	13.00	15.50	76	900 [425]
	RCFL-A*3621(RGPE-07?AMK?)	28,800 [8.4]	21,000 [6.2]	7,800 [2.3]	13.00	15.50	76	1,000 [472]
	RCFL-A*3621(RGPE-07?BRQ?)	28,800 [8.4]	21,100 [6.2]	7,700 [2.3]	13.00	16.00	76	1,025 [484]
	RCFL-A*3621(RGPE-10?BRM?)	28,800 [8.4]	20,450 [6.0]	8,350 [2.4]	13.00	16.00	76	900 [425]
	RCFL-A*3621(RGPT-05?BMK?)	28,400 [8.3]	20,000 [5.9]	8,400 [2.5]	13.00	15.50	76	875 [413]
	RCFL-A*3621(RGPT-07?AMK?)	28,600 [8.4]	20,200 [5.9]	8,400 [2.5]	13.00	15.50	76	875 [413]
	RCFL-A*3621(RGPT-07?BRQ?)	28,800 [8.4]	21,000 [6.2]	7,800 [2.3]	13.00	16.00	76	1,000 [472]
	RCFL-A*3621(RGPT-10?BRM?)	28,800 [8.4]	21,000 [6.2]	7,800 [2.3]	13.00	16.00	76	1,000 [472]
	RCFL-A*3621(RGRM-04?MAE?)	28,800 [8.4]	21,050 [6.2]	7,750 [2.3]	12.00	14.50	76	1,025 [484]
	RCFL-A*3621(RGRM-06?MAE?)	28,200 [8.3]	19,650 [5.8]	8,550 [2.5]	12.50	15.10	76	825 [389]
	RCFL-A*3621(RGRM-07?MAE?)	28,200 [8.3]	19,800 [5.8]	8,400 [2.5]	12.50	15.10	76	850 [401]
	RCFL-A*3621(RGRM-07?YBG?)	28,400 [8.3]	20,400 [6.0]	8,000 [2.3]	12.00	14.50	76	975 [460]
	RCFL-A*3621(RGRM-09?ZAJ?)	28,800 [8.4]	20,700 [6.1]	8,100 [2.4]	13.00	15.50	76	950 [448]
	RCFL-A*3621(RGRM-10?ZAJ?)	28,400 [8.3]	20,050 [5.9]	8,350 [2.4]	13.00	15.50	76	875 [413]
	RCFL-A*3621(RGTM-06?MAE?)	28,600 [8.4]	20,500 [6.0]	8,100 [2.4]	13.00	15.50	76	900 [425]
	RCFL-A*3621(RGTM-07?RBG?)	28,800 [8.4]	21,200 [6.2]	7,600 [2.2]	13.00	15.50	76	1,050 [495]
	RCFL-A*3621(RGTM-09?ZAJ?)	28,800 [8.4]	20,800 [6.1]	8,000 [2.3]	13.00	15.50	76	975 [460]
	RCFL-A*3621(RHWB-04WMX36A)	28,800 [8.4]	21,200 [6.2]	7,600 [2.2]	13.00	15.50	76	1,050 [495]
	RCFL-A*3621(RHWB-06WMX48A)	28,800 [8.4]	21,000 [6.2]	7,800 [2.3]	13.00	15.50	76	1,000 [472]
	RCFL-A*3621(ROCA-070E03)	28,800 [8.4]	21,000 [6.2]	7,800 [2.3]	13.00	15.50	76	1,000 [472]
	RCFL-A*3621(ROCA-070E04)	28,800 [8.4]	21,000 [6.2]	7,800 [2.3]	13.00	15.50	76	1,000 [472]
	RCFL-A*3621(ROLA-070E03)	28,600 [8.4]	20,300 [5.9]	8,300 [2.4]	13.00	15.50	76	900 [425]
	RCFL-A*3621(ROLA-070E04)	28,800 [8.4]	20,700 [6.1]	8,100 [2.4]	13.00	15.50	76	975 [460]
	RCFL-A*3621(ROLA-115E05)	28,800 [8.4]	21,200 [6.2]	7,600 [2.2]	13.00	15.50	76	1,050 [495]
	RCFL-A*3621+RXMD-C04	28,400 [8.3]	20,400 [6.0]	8,000 [2.3]	12.00	14.50	76	950 [448]
	RCFL-A*3821(RGFE-06?MCK?)	28,800 [8.4]	20,500 [6.0]	8,300 [2.4]	13.00	16.00	76	875 [413]
	RCFL-A*3821(RGFE-07?MCK?)	28,600 [8.4]	20,200 [5.9]	8,400 [2.5]	13.00	16.00	76	825 [389]
	RCFL-A*3821(RGFE-09?ZCM?)	28,800 [8.4]	20,500 [6.0]	8,300 [2.4]	13.00	16.00	76	875 [413]
	RCFL-A*3821(RGFE-10?ZCM?)	28,800 [8.4]	20,600 [6.0]	8,200 [2.4]	13.00	16.00	76	900 [425]
	RCFL-A*3821(RGFG-06NMCKS)	28,800 [8.4]	20,500 [6.0]	8,300 [2.4]	13.00	16.00	76	875 [413]
	RCFL-A*3821(RGFG-06EMCKS)	28,800 [8.4]	20,500 [6.0]	8,300 [2.4]	13.00	16.00	76	875 [413]
	RCFL-A*3821(RGFG-07EMCKS)	28,800 [8.4]	20,400 [6.0]	8,400 [2.5]	13.00	16.00	76	850 [401]
	RCFL-A*3821(RGFG-07NMCKS)	28,800 [8.4]	20,400 [6.0]	8,400 [2.5]	13.00	16.00	76	850 [401]
	RCFL-A*3821(RGFG-09NZCMS)	28,800 [8.4]	20,500 [6.0]	8,300 [2.4]	13.00	16.00	76	875 [413]
	RCFL-A*3821(RGFG-09EZCMS)	28,800 [8.4]	20,500 [6.0]	8,300 [2.4]	13.00	16.00	76	875 [413]
	RCFL-A*3821(RGFG-10EZCMS)	28,800 [8.4]	20,600 [6.0]	8,200 [2.4]	13.00	16.00	76	900 [425]
	RCFL-A*3821(RGFG-10NZCMS)	28,800 [8.4]	20,600 [6.0]	8,200 [2.4]	13.00	16.00	76	900 [425]
	RCFL-A*3821(RGGE-06?MCK?)	28,600 [8.4]	20,200 [5.9]	8,400 [2.5]	13.00	16.00	76	825 [389]
	RCFL-A*3821(RGGE-07?MCK?)	28,800 [8.4]	20,500 [6.0]	8,300 [2.4]	13.00	16.00	76	875 [413]
	RCFL-A*3821(RGGE-09?ZCM?)	28,800 [8.4]	20,500 [6.0]	8,300 [2.4]	13.00	16.00	76	875 [413]
RCFL-A*3821(RGGE-10?ZCM?)	28,800 [8.4]	20,500 [6.0]	8,300 [2.4]	13.00	16.00	76	875 [413]	
RCFL-A*3821(RGLE-07?AMK?)	28,800 [8.4]	20,500 [6.0]	8,300 [2.4]	13.00	16.00	76	875 [413]	
RCFL-A*3821(RGLE-07?BRQ?)	28,800 [8.4]	20,800 [6.1]	8,000 [2.3]	13.00	16.00	76	925 [437]	
RCFL-A*3821(RGLE-10?BRM?)	28,800 [8.4]	20,500 [6.0]	8,300 [2.4]	13.00	16.00	76	875 [413]	
RCFL-A*3821(RGLT-07?AMK?)	28,800 [8.4]	20,800 [6.1]	8,000 [2.3]	13.00	16.00	76	925 [437]	
RCFL-A*3821(RGLT-07?BRQ?)	28,800 [8.4]	21,100 [6.2]	7,700 [2.3]	13.00	16.00	76	1,050 [495]	
RCFL-A*3821(RGLT-10?BRM?)	28,800 [8.4]	21,100 [6.2]	7,700 [2.3]	13.00	16.00	76	1,050 [495]	
RCFL-A*3821(RGPE-05?BMK?)	28,800 [8.4]	20,600 [6.0]	8,200 [2.4]	13.00	16.00	76	900 [425]	
RCFL-A*3821(RGPE-07?AMK?)	28,800 [8.4]	20,600 [6.0]	8,200 [2.4]	13.00	16.00	76	900 [425]	
RCFL-A*3821(RGPE-07?BRQ?)	28,800 [8.4]	20,600 [6.0]	8,200 [2.4]	13.00	16.00	76	900 [425]	

30

Ⓢ Highest sales volume tested combination required by D.O.E. test procedures.

[] Designates Metric Conversions

Performance Data @ AHRI Standard Conditions—Cooling (con't.)

Model Numbers		80°F [26.5°C] DB/67°F [19.5°C] WB Indoor Air 95°F [35°C] DB Outdoor Air					Sound Rating dB	Indoor CFM [L/s]
Outdoor Unit 14AJM	Indoor Coil and/or Air Handler	Total Capacity BTU/H [kW]	Net Sensible BTU/H [kW]	Net Latent BTU/H [kW]	EER	SEER		
30	RCFL-A*3821(RGPE-10?BRM?)	28,800 [8.4]	20,600 [6.0]	8,200 [2.4]	13.00	16.00	76	900 [425]
	RCFL-A*3821(RGPT-05?BMK?)	28,800 [8.4]	20,600 [6.0]	8,200 [2.4]	13.00	16.00	76	900 [425]
	RCFL-A*3821(RGPT-07?AMK?)	28,800 [8.4]	20,800 [6.1]	8,000 [2.3]	13.00	16.00	76	925 [437]
	RCFL-A*3821(RGPT-07?BRQ?)	28,800 [8.4]	21,100 [6.2]	7,700 [2.3]	13.00	16.00	76	1,050 [495]
	RCFL-A*3821(RGPT-10?BRM?)	28,800 [8.4]	21,200 [6.2]	7,600 [2.2]	13.00	16.00	76	1,075 [507]
	RCFL-A*3821(RGRM-04?MAE?)	28,800 [8.4]	20,800 [6.1]	8,000 [2.3]	13.00	15.50	76	925 [437]
	RCFL-A*3821(RGRM-06?MAE?)	28,600 [8.4]	20,200 [5.9]	8,400 [2.5]	13.00	15.50	76	825 [389]
	RCFL-A*3821(RGRM-07?MAE?)	28,600 [8.4]	20,200 [5.9]	8,400 [2.5]	12.50	15.10	76	850 [401]
	RCFL-A*3821(RGRM-07?YBG?)	28,600 [8.4]	20,200 [5.9]	8,400 [2.5]	13.00	15.50	76	850 [401]
	RCFL-A*3821(RGRM-09?RAJ?)	29,800 [8.7]	21,600 [6.3]	8,200 [2.4]	13.00	16.00	76	925 [437]
	RCFL-A*3821(RGRM-09?ZAJ?)	28,800 [8.4]	20,800 [6.1]	8,000 [2.3]	13.00	16.00	76	950 [448]
	RCFL-A*3821(RGRM-10?RAJ?)	29,400 [8.6]	21,000 [6.2]	8,400 [2.5]	13.00	16.00	76	900 [425]
	RCFL-A*3821(RGRM-10?ZAJ?)	28,800 [8.4]	20,500 [6.0]	8,300 [2.4]	13.00	16.00	76	875 [413]
	RCFL-A*3821(RGTM-06?MAE?)	28,800 [8.4]	20,600 [6.0]	8,200 [2.4]	13.00	16.00	76	900 [425]
	RCFL-A*3821(RGTM-07?RBG?)	28,800 [8.4]	20,800 [6.1]	8,000 [2.3]	13.00	16.00	76	950 [448]
	RCFL-A*3821(RGTM-09?RAJ?)	29,400 [8.6]	21,000 [6.2]	8,400 [2.5]	13.00	16.00	76	900 [425]
	RCFL-A*3821(RGTM-09?ZAJ?)	28,800 [8.4]	20,800 [6.1]	8,000 [2.3]	13.00	16.00	76	975 [460]
	RCFL-A*3821(RHWB-04WMMX36A)	28,800 [8.4]	20,600 [6.0]	8,200 [2.4]	13.00	16.00	76	900 [425]
	RCFL-A*3821(RHWB-06WMMX48A)	28,800 [8.4]	21,000 [6.2]	7,800 [2.3]	13.00	15.50	76	1,025 [484]
	RCFL-A*3821(ROCA-070E03)	28,800 [8.4]	20,900 [6.1]	7,900 [2.3]	13.00	15.50	76	1,000 [472]
	RCFL-A*3821(ROCA-070E04)	28,600 [8.4]	20,100 [5.9]	8,500 [2.5]	13.00	16.00	76	800 [378]
	RCFL-A*3821(ROLA-070E03)	28,800 [8.4]	20,600 [6.0]	8,200 [2.4]	13.00	16.00	76	900 [425]
	RCFL-A*3821(ROLA-070E04)	28,800 [8.4]	20,600 [6.0]	8,200 [2.4]	13.00	16.00	76	900 [425]
	RCFL-A*3821(ROLA-115E05)	28,800 [8.4]	21,100 [6.2]	7,700 [2.3]	13.00	16.00	76	1,050 [495]
	RCFL-A*3821+RXMD-C04	28,600 [8.4]	20,600 [6.0]	8,000 [2.3]	12.00	14.50	76	950 [448]
	RCFL-A*3824(RGFE-09?ZCM?)	28,800 [8.4]	20,500 [6.0]	8,300 [2.4]	13.00	16.00	76	875 [413]
	RCFL-A*3824(RGFE-10?ZCM?)	28,800 [8.4]	20,600 [6.0]	8,200 [2.4]	13.00	16.00	76	900 [425]
	RCFL-A*3824(RGFE-12?RCM?)	28,800 [8.4]	21,000 [6.2]	7,800 [2.3]	13.00	16.00	76	1,025 [484]
	RCFL-A*3824(RGFG-09NZCMS)	28,800 [8.4]	20,500 [6.0]	8,300 [2.4]	13.00	16.00	76	875 [413]
	RCFL-A*3824(RGFG-09EZCMS)	28,800 [8.4]	20,500 [6.0]	8,300 [2.4]	13.00	16.00	76	875 [413]
	RCFL-A*3824(RGFG-10EZCMS)	28,800 [8.4]	20,600 [6.0]	8,200 [2.4]	13.00	16.00	76	900 [425]
	RCFL-A*3824(RGFG-10NZCMS)	28,800 [8.4]	20,600 [6.0]	8,200 [2.4]	13.00	16.00	76	900 [425]
	RCFL-A*3824(RGFG-12NRCMS)	28,800 [8.4]	20,500 [6.0]	8,300 [2.4]	13.00	16.00	76	875 [413]
	RCFL-A*3824(RGFG-12ERCMS)	28,800 [8.4]	20,500 [6.0]	8,300 [2.4]	13.00	16.00	76	875 [413]
	RCFL-A*3824(RGGE-09?ZCM?)	28,800 [8.4]	20,900 [6.1]	7,900 [2.3]	13.00	16.00	76	1,000 [472]
	RCFL-A*3824(RGGE-10?ZCM?)	28,800 [8.4]	20,500 [6.0]	8,300 [2.4]	13.00	16.00	76	875 [413]
	RCFL-A*3824(RGGE-12?RCM?)	28,800 [8.4]	21,100 [6.2]	7,700 [2.3]	13.00	16.00	76	1,050 [495]
	RCFL-A*3824(RGLE-07?BRQ?)	28,800 [8.4]	21,000 [6.2]	7,800 [2.3]	13.00	16.00	76	1,025 [484]
	RCFL-A*3824(RGLE-10?BRM?)	28,800 [8.4]	21,100 [6.2]	7,700 [2.3]	13.00	16.00	76	1,050 [495]
	RCFL-A*3824(RGLE-12?ARM?)	28,800 [8.4]	20,800 [6.1]	8,000 [2.3]	13.00	16.00	76	925 [437]
RCFL-A*3824(RGLT-07?BRQ?)	28,800 [8.4]	21,100 [6.2]	7,700 [2.3]	13.00	16.00	76	1,050 [495]	
RCFL-A*3824(RGLT-10?BRM?)	28,800 [8.4]	21,100 [6.2]	7,700 [2.3]	13.00	16.00	76	1,050 [495]	
RCFL-A*3824(RGLT-12?ARM?)	28,800 [8.4]	20,900 [6.1]	7,900 [2.3]	13.00	16.00	76	1,000 [472]	
RCFL-A*3824(RGPE-07?BRQ?)	28,800 [8.4]	20,600 [6.0]	8,200 [2.4]	13.00	16.00	76	900 [425]	
RCFL-A*3824(RGPE-10?BRM?)	28,800 [8.4]	20,600 [6.0]	8,200 [2.4]	13.00	16.00	76	900 [425]	
RCFL-A*3824(RGPE-12?ARM?)	28,800 [8.4]	20,500 [6.0]	8,300 [2.4]	13.00	16.00	76	875 [413]	
RCFL-A*3824(RGPT-07?BRQ?)	28,800 [8.4]	21,100 [6.2]	7,700 [2.3]	13.00	16.00	76	1,050 [495]	
RCFL-A*3824(RGPT-10?BRM?)	28,800 [8.4]	21,200 [6.2]	7,600 [2.2]	13.00	16.00	76	1,075 [507]	
RCFL-A*3824(RGPT-12?ARM?)	28,800 [8.4]	20,800 [6.1]	8,000 [2.3]	13.00	16.00	76	975 [460]	
RCFL-A*3824(RGRM-07?YBG?)	28,600 [8.4]	20,200 [5.9]	8,400 [2.5]	13.00	15.50	76	850 [401]	

① Highest sales volume tested combination required by D.O.E. test procedures.

[] Designates Metric Conversions

Performance Data @ AHRI Standard Conditions—Cooling (con't.)

Model Numbers		80°F [26.5°C] DB/67°F [19.5°C] WB Indoor Air 95°F [35°C] DB Outdoor Air					Sound Rating dB	Indoor CFM [L/s]
Outdoor Unit 14AJM	Indoor Coil and/or Air Handler	Total Capacity BTU/H [kW]	Net Sensible BTU/H [kW]	Net Latent BTU/H [kW]	EER	SEER		
Rev. 4/5/13	RCFL-H*3621(RGFG-09EZCMS)	28,400 [8.3]	20,000 [5.9]	8,400 [2.5]	13.00	15.50	76	875 [413]
	RCFL-H*3621(RGFG-10EZCMS)	28,200 [8.3]	19,500 [5.7]	8,700 [2.5]	13.00	15.50	76	800 [378]
	RCFL-H*3621(RGFG-10NZCMS)	28,200 [8.3]	19,500 [5.7]	8,700 [2.5]	13.00	15.50	76	800 [378]
	RCFL-H*3621(RGGE-06?MCK?)	28,800 [8.4]	20,650 [6.1]	8,150 [2.4]	13.00	15.50	76	925 [437]
	RCFL-H*3621(RGGE-07?MCK?)	28,400 [8.3]	20,050 [5.9]	8,350 [2.4]	13.00	15.50	76	875 [413]
	RCFL-H*3621(RGGE-09?ZCM?)	28,800 [8.4]	21,000 [6.2]	7,800 [2.3]	13.00	15.50	76	1,000 [472]
	RCFL-H*3621(RGGE-10?ZCM?)	28,800 [8.4]	21,000 [6.2]	7,800 [2.3]	13.00	15.50	76	1,000 [472]
	RCFL-H*3621(RGJF-06?MCK?)	28,800 [8.4]	20,650 [6.1]	8,150 [2.4]	13.00	15.50	76	925 [437]
	RCFL-H*3621(RGJF-07?MCK?)	28,400 [8.3]	20,050 [5.9]	8,350 [2.4]	13.00	15.50	76	875 [413]
	RCFL-H*3621(RGJF-09?ZCM?)	28,800 [8.4]	21,100 [6.2]	7,700 [2.3]	13.00	15.50	76	1,025 [484]
	RCFL-H*3621(RGJF-10?ZCM?)	28,800 [8.4]	21,200 [6.2]	7,600 [2.2]	13.00	15.50	76	1,050 [495]
	RCFL-H*3621(RGLE-07?AMK?)	28,800 [8.4]	21,100 [6.2]	7,700 [2.3]	13.00	15.50	76	1,025 [484]
	RCFL-H*3621(RGLE-07?BRQ?)	28,800 [8.4]	20,800 [6.1]	8,000 [2.3]	13.00	16.00	76	925 [437]
	RCFL-H*3621(RGLE-10?BRM?)	28,800 [8.4]	21,200 [6.2]	7,600 [2.2]	13.00	16.00	76	1,050 [495]
	RCFL-H*3621(RGLT-07?AMK?)	28,600 [8.4]	20,200 [5.9]	8,400 [2.5]	13.00	16.00	76	875 [413]
	RCFL-H*3621(RGLT-07?BRQ?)	28,800 [8.4]	20,650 [6.1]	8,150 [2.4]	13.00	16.00	76	975 [460]
	RCFL-H*3621(RGLT-10?BRM?)	28,800 [8.4]	21,000 [6.2]	7,800 [2.3]	13.00	16.00	76	1,000 [472]
	RCFL-H*3621(RGPE-05?BMK?)	28,600 [8.4]	20,300 [5.9]	8,300 [2.4]	13.00	15.50	76	900 [425]
	RCFL-H*3621(RGPE-07?AMK?)	28,800 [8.4]	21,000 [6.2]	7,800 [2.3]	13.00	15.50	76	1,000 [472]
	RCFL-H*3621(RGPE-07?BRQ?)	28,800 [8.4]	21,100 [6.2]	7,700 [2.3]	13.00	16.00	76	1,025 [484]
	RCFL-H*3621(RGPE-10?BRM?)	28,800 [8.4]	20,450 [6.0]	8,350 [2.4]	13.00	16.00	76	900 [425]
	RCFL-H*3621(RGPT-05?BMK?)	28,400 [8.3]	20,000 [5.9]	8,400 [2.5]	13.00	15.50	76	875 [413]
	RCFL-H*3621(RGPT-07?AMK?)	28,600 [8.4]	20,200 [5.9]	8,400 [2.5]	13.00	15.50	76	875 [413]
	RCFL-H*3621(RGPT-07?BRQ?)	28,800 [8.4]	21,000 [6.2]	7,800 [2.3]	13.00	16.00	76	1,000 [472]
	RCFL-H*3621(RGPT-10?BRM?)	28,800 [8.4]	21,000 [6.2]	7,800 [2.3]	13.00	16.00	76	1,000 [472]
	RCFL-H*3621(RGRM-04?MAE?)	28,800 [8.4]	21,050 [6.2]	7,750 [2.3]	12.00	14.50	76	1,025 [484]
	RCFL-H*3621(RGRM-06?MAE?)	28,200 [8.3]	19,650 [5.8]	8,550 [2.5]	12.50	15.10	76	825 [389]
	RCFL-H*3621(RGRM-07?MAE?)	28,200 [8.3]	19,800 [5.8]	8,400 [2.5]	12.50	15.10	76	850 [401]
	RCFL-H*3621(RGRM-07?YBG?)	28,400 [8.3]	20,400 [6.0]	8,000 [2.3]	12.00	14.50	76	975 [460]
	RCFL-H*3621(RGRM-09?ZAJ?)	28,800 [8.4]	20,700 [6.1]	8,100 [2.4]	13.00	15.50	76	950 [448]
	RCFL-H*3621(RGRM-10?ZAJ?)	28,400 [8.3]	20,050 [5.9]	8,350 [2.4]	13.00	15.50	76	875 [413]
	RCFL-H*3621(RGTM-06?MAE?)	28,600 [8.4]	20,300 [5.9]	8,300 [2.4]	13.00	15.50	76	900 [425]
	RCFL-H*3621(RGTM-07?RBG?)	28,800 [8.4]	21,200 [6.2]	7,600 [2.2]	13.00	15.50	76	1,050 [495]
	RCFL-H*3621(RGTM-09?ZAJ?)	28,800 [8.4]	20,650 [6.1]	8,150 [2.4]	13.00	15.50	76	975 [460]
	RCFL-H*3621(RHWB-04WMMX36A)	28,800 [8.4]	21,200 [6.2]	7,600 [2.2]	13.00	15.50	76	1,050 [495]
	RCFL-H*3621(RHWB-06WMMX48A)	28,800 [8.4]	21,000 [6.2]	7,800 [2.3]	13.00	15.50	76	1,000 [472]
	RCFL-H*3621(ROCA-070E03)	28,800 [8.4]	21,000 [6.2]	7,800 [2.3]	13.00	15.50	76	1,000 [472]
	RCFL-H*3621(ROCA-070E04)	28,800 [8.4]	21,000 [6.2]	7,800 [2.3]	13.00	15.50	76	1,000 [472]
	RCFL-H*3621(ROLA-070E03)	28,600 [8.4]	20,300 [5.9]	8,300 [2.4]	13.00	15.50	76	900 [425]
	RCFL-H*3621(ROLA-070E04)	28,600 [8.4]	20,300 [5.9]	8,300 [2.4]	13.00	15.50	76	900 [425]
RCFL-H*3621(ROLA-115E05)	28,800 [8.4]	21,200 [6.2]	7,600 [2.2]	13.00	15.50	76	1,050 [495]	
RCFL-H*3621+RXMD-C04	28,400 [8.3]	20,400 [6.0]	8,000 [2.3]	12.00	14.50	76	950 [448]	
RCFL-H*3821(RGFE-06?MCK?)	28,800 [8.4]	20,500 [6.0]	8,300 [2.4]	13.00	16.00	76	875 [413]	
RCFL-H*3821(RGFE-07?MCK?)	28,600 [8.4]	20,200 [5.9]	8,400 [2.5]	13.00	16.00	76	825 [389]	
RCFL-H*3821(RGFE-09?ZCM?)	28,800 [8.4]	20,500 [6.0]	8,300 [2.4]	13.00	16.00	76	875 [413]	
RCFL-H*3821(RGFE-10?ZCM?)	28,800 [8.4]	20,600 [6.0]	8,200 [2.4]	13.00	16.00	76	900 [425]	
RCFL-H*3821(RGFG-06NMCKS)	28,800 [8.4]	20,500 [6.0]	8,300 [2.4]	13.00	16.00	76	875 [413]	
RCFL-H*3821(RGFG-06EMCKS)	28,800 [8.4]	20,500 [6.0]	8,300 [2.4]	13.00	16.00	76	875 [413]	
RCFL-H*3821(RGFG-07EMCKS)	28,800 [8.4]	20,400 [6.0]	8,400 [2.5]	13.00	16.00	76	850 [401]	
RCFL-H*3821(RGFG-07NMCKS)	28,800 [8.4]	20,400 [6.0]	8,400 [2.5]	13.00	16.00	76	850 [401]	

30

① Highest sales volume tested combination required by D.O.E. test procedures.

[] Designates Metric Conversions

Performance Data @ AHRI Standard Conditions—Cooling (con't.)

Model Numbers		80°F [26.5°C] DB/67°F [19.5°C] WB Indoor Air 95°F [35°C] DB Outdoor Air					Sound Rating dB	Indoor CFM [L/s]
Outdoor Unit 14AJM	Indoor Coil and/or Air Handler	Total Capacity BTU/H [kW]	Net Sensible BTU/H [kW]	Net Latent BTU/H [kW]	EER	SEER		
Rev. 4/5/13	RCFL-H*3821(RGFG-09NZCMS)	28,800 [8.4]	20,500 [6.0]	8,300 [2.4]	13.00	16.00	76	875 [413]
	RCFL-H*3821(RGFG-09EZCMS)	28,800 [8.4]	20,500 [6.0]	8,300 [2.4]	13.00	16.00	76	875 [413]
	RCFL-H*3821(RGFG-10EZCMS)	28,800 [8.4]	20,600 [6.0]	8,200 [2.4]	13.00	16.00	76	900 [425]
	RCFL-H*3821(RGFG-10NZCMS)	28,800 [8.4]	20,600 [6.0]	8,200 [2.4]	13.00	16.00	76	900 [425]
	RCFL-H*3821(RGGE-06?MCK?)	28,600 [8.4]	20,200 [5.9]	8,400 [2.5]	13.00	16.00	76	825 [389]
	RCFL-H*3821(RGGE-07?MCK?)	28,800 [8.4]	20,500 [6.0]	8,300 [2.4]	13.00	16.00	76	875 [413]
	RCFL-H*3821(RGGE-09?ZCM?)	28,800 [8.4]	20,500 [6.0]	8,300 [2.4]	13.00	16.00	76	875 [413]
	RCFL-H*3821(RGGE-10?ZCM?)	28,800 [8.4]	20,500 [6.0]	8,300 [2.4]	13.00	16.00	76	875 [413]
	RCFL-H*3821(RGJF-06?MCK?)	28,600 [8.4]	20,200 [5.9]	8,400 [2.5]	13.00	16.00	76	825 [389]
	RCFL-H*3821(RGJF-07?MCK?)	28,800 [8.4]	20,500 [6.0]	8,300 [2.4]	13.00	16.00	76	875 [413]
	RCFL-H*3821(RGJF-09?ZCM?)	28,800 [8.4]	20,500 [6.0]	8,300 [2.4]	13.00	16.00	76	875 [413]
	RCFL-H*3821(RGJF-10?ZCM?)	28,800 [8.4]	20,500 [6.0]	8,300 [2.4]	13.00	16.00	76	875 [413]
	RCFL-H*3821(RGLE-07?AMK?)	28,800 [8.4]	20,500 [6.0]	8,300 [2.4]	13.00	16.00	76	875 [413]
	RCFL-H*3821(RGLE-07?BRQ?)	28,800 [8.4]	20,800 [6.1]	8,000 [2.3]	13.00	16.00	76	925 [437]
	RCFL-H*3821(RGLE-10?BRM?)	28,800 [8.4]	20,500 [6.0]	8,300 [2.4]	13.00	16.00	76	875 [413]
	RCFL-H*3821(RGLT-07?AMK?)	28,800 [8.4]	20,800 [6.1]	8,000 [2.3]	13.00	16.00	76	925 [437]
	RCFL-H*3821(RGLT-07?BRQ?)	28,800 [8.4]	21,100 [6.2]	7,700 [2.3]	13.00	16.00	76	1,050 [495]
	RCFL-H*3821(RGLT-10?BRM?)	28,800 [8.4]	21,100 [6.2]	7,700 [2.3]	13.00	16.00	76	1,050 [495]
	RCFL-H*3821(RGPE-05?BMK?)	28,800 [8.4]	20,600 [6.0]	8,200 [2.4]	13.00	16.00	76	900 [425]
	RCFL-H*3821(RGPE-07?AMK?)	28,600 [8.4]	20,200 [5.9]	8,400 [2.5]	13.00	16.00	76	825 [389]
	RCFL-H*3821(RGPE-07?BRQ?)	28,800 [8.4]	20,600 [6.0]	8,200 [2.4]	13.00	16.00	76	900 [425]
	RCFL-H*3821(RGPE-10?BRM?)	28,800 [8.4]	20,600 [6.0]	8,200 [2.4]	13.00	16.00	76	900 [425]
	RCFL-H*3821(RGPT-05?BMK?)	28,800 [8.4]	20,600 [6.0]	8,200 [2.4]	13.00	16.00	76	900 [425]
	RCFL-H*3821(RGPT-07?AMK?)	28,800 [8.4]	20,800 [6.1]	8,000 [2.3]	13.00	16.00	76	925 [437]
	RCFL-H*3821(RGPT-07?BRQ?)	28,800 [8.4]	21,100 [6.2]	7,700 [2.3]	13.00	16.00	76	1,050 [495]
	RCFL-H*3821(RGPT-10?BRM?)	28,800 [8.4]	21,200 [6.2]	7,600 [2.2]	13.00	16.00	76	1,075 [507]
	RCFL-H*3821(RGRM-04?MAE?)	28,800 [8.4]	20,800 [6.1]	8,000 [2.3]	13.00	15.50	76	925 [437]
	RCFL-H*3821(RGRM-06?MAE?)	28,600 [8.4]	20,200 [5.9]	8,400 [2.5]	13.00	16.00	76	825 [389]
	RCFL-H*3821(RGRM-07?MAE?)	28,600 [8.4]	20,200 [5.9]	8,400 [2.5]	13.00	15.50	76	850 [401]
	RCFL-H*3821(RGRM-07?YBG?)	28,600 [8.4]	20,200 [5.9]	8,400 [2.5]	13.00	15.50	76	850 [401]
	RCFL-H*3821(RGRM-09?RAJ?)	29,800 [8.7]	21,600 [6.3]	8,200 [2.4]	13.00	16.00	76	925 [437]
	RCFL-H*3821(RGRM-09?ZAJ?)	28,800 [8.4]	20,800 [6.1]	8,000 [2.3]	13.00	16.00	76	950 [448]
	RCFL-H*3821(RGRM-10?RAJ?)	29,400 [8.6]	21,000 [6.2]	8,400 [2.5]	13.00	16.00	76	900 [425]
	RCFL-H*3821(RGRM-10?ZAJ?)	28,800 [8.4]	20,500 [6.0]	8,300 [2.4]	13.00	16.00	76	875 [413]
	RCFL-H*3821(RGTM-06?MAE?)	28,800 [8.4]	20,600 [6.0]	8,200 [2.4]	13.00	16.00	76	900 [425]
	RCFL-H*3821(RGTM-07?RBG?)	28,800 [8.4]	20,800 [6.1]	8,000 [2.3]	13.00	16.00	76	950 [448]
	RCFL-H*3821(RGTM-09?RAJ?)	29,400 [8.6]	21,000 [6.2]	8,400 [2.5]	13.00	16.00	76	900 [425]
	RCFL-H*3821(RGTM-09?ZAJ?)	28,800 [8.4]	20,800 [6.1]	8,000 [2.3]	13.00	16.00	76	975 [460]
	RCFL-H*3821(RHWH-04WMX36A)	28,800 [8.4]	21,300 [6.2]	7,500 [2.2]	13.00	16.00	76	1,075 [507]
	RCFL-H*3821(RHWH-06WMX48A)	28,800 [8.4]	21,000 [6.2]	7,800 [2.3]	13.00	15.50	76	1,025 [484]
RCFL-H*3821(ROCA-070E03)	28,800 [8.4]	20,900 [6.1]	7,900 [2.3]	13.00	15.50	76	1,000 [472]	
RCFL-H*3821(ROCA-070E04)	28,600 [8.4]	20,100 [5.9]	8,500 [2.5]	13.00	16.00	76	800 [378]	
RCFL-H*3821(ROLA-070E03)	28,800 [8.4]	20,600 [6.0]	8,200 [2.4]	13.00	16.00	76	900 [425]	
RCFL-H*3821(ROLA-070E04)	28,800 [8.4]	20,600 [6.0]	8,200 [2.4]	13.00	16.00	76	900 [425]	
RCFL-H*3821(ROLA-115E05)	28,800 [8.4]	20,600 [6.0]	8,200 [2.4]	13.00	16.00	76	900 [425]	
RCFL-H*3821+RXMD-C04	28,600 [8.4]	20,600 [6.0]	8,000 [2.3]	12.00	14.50	76	950 [448]	
RCFL-H*3824(RGFE-09?ZCM?)	28,800 [8.4]	20,800 [6.1]	8,000 [2.3]	13.00	16.00	76	975 [460]	
RCFL-H*3824(RGFE-10?ZCM?)	28,800 [8.4]	20,900 [6.1]	7,900 [2.3]	13.00	16.00	76	1,000 [472]	
RCFL-H*3824(RGFE-12?RCM?)	28,800 [8.4]	21,000 [6.2]	7,800 [2.3]	13.00	16.00	76	1,025 [484]	
RCFL-H*3824(RGFG-09NZCMS)	28,800 [8.4]	20,500 [6.0]	8,300 [2.4]	13.00	16.00	76	875 [413]	

① Highest sales volume tested combination required by D.O.E. test procedures.

[] Designates Metric Conversions

Performance Data @ AHRI Standard Conditions—Cooling (con't.)

Model Numbers		80°F [26.5°C] DB/67°F [19.5°C] WB Indoor Air 95°F [35°C] DB Outdoor Air					Sound Rating dB	Indoor CFM [L/s]	
Outdoor Unit 14AJM	Indoor Coil and/or Air Handler	Total Capacity BTU/H [kW]	Net Sensible BTU/H [kW]	Net Latent BTU/H [kW]	EER	SEER			
Rev. 4/5/13	RCQD-3621(RGFG-10EZCMS)	29,600 [8.7]	21,950 [6.4]	7,650 [2.2]	13.00	16.00	76	900 [425]	
	RCQD-3621(RGFG-10NZCMS)	29,600 [8.7]	21,950 [6.4]	7,650 [2.2]	13.00	16.00	76	900 [425]	
	RCQD-3621(RGJF-06?MCK?)	29,000 [8.5]	20,900 [6.1]	8,100 [2.4]	13.00	16.00	76	825 [389]	
	RCQD-3621(RGJF-07?MCK?)	29,000 [8.5]	21,150 [6.2]	7,850 [2.3]	13.00	16.00	76	875 [413]	
	RCQD-3621(RGJF-09?ZCM?)	29,800 [8.7]	22,350 [6.5]	7,450 [2.2]	13.00	16.00	76	1,000 [472]	
	RCQD-3621(RGJF-10?ZCM?)	29,800 [8.7]	22,350 [6.5]	7,450 [2.2]	13.00	16.00	76	1,000 [472]	
	RCQD-3621(RGPE-05?BMK?)	29,200 [8.6]	21,400 [6.3]	7,800 [2.3]	13.00	16.00	76	900 [425]	
	RCQD-3621(RGPE-07?AMK?)	29,000 [8.5]	20,900 [6.1]	8,100 [2.4]	13.00	16.00	76	825 [389]	
	RCQD-3621(RGPE-07?BRQ?)	29,400 [8.6]	21,550 [6.3]	7,850 [2.3]	13.00	16.00	76	900 [425]	
	RCQD-3621(RGPE-10?BRM?)	29,400 [8.6]	21,550 [6.3]	7,850 [2.3]	13.00	16.00	76	900 [425]	
	RCQD-3621(RGPT-05?BMK?)	29,200 [8.6]	21,400 [6.3]	7,800 [2.3]	13.00	16.00	76	900 [425]	
	RCQD-3621(RGPT-07?AMK?)	30,400 [8.9]	23,200 [6.8]	7,200 [2.1]	13.00	16.00	76	925 [437]	
	RCQD-3621(RGPT-07?BRQ?)	30,200 [8.8]	22,900 [6.7]	7,300 [2.1]	13.00	16.00	76	1,050 [495]	
	RCQD-3621(RGPT-10?BRM?)	30,200 [8.8]	22,950 [6.7]	7,250 [2.1]	13.00	16.00	76	1,050 [495]	
	RCQD-3621(RGRM-04?MAE?)	29,200 [8.6]	21,550 [6.3]	7,650 [2.2]	13.00	15.50	76	925 [437]	
	RCQD-3621(RGRM-06?MAE?)	29,000 [8.5]	20,950 [6.1]	8,050 [2.4]	13.00	16.00	76	825 [389]	
	RCQD-3621(RGRM-07?MAE?)	29,000 [8.5]	21,050 [6.2]	7,950 [2.3]	13.00	15.50	76	850 [401]	
	RCQD-3621(RGRM-07?YBG?)	28,800 [8.4]	20,850 [6.1]	7,950 [2.3]	13.00	15.50	76	850 [401]	
	RCQD-3621(RGRM-09?ZAJ?)	29,400 [8.6]	21,800 [6.4]	7,600 [2.2]	13.00	16.00	76	950 [448]	
	RCQD-3621(RGRM-10?ZAJ?)	29,200 [8.6]	21,300 [6.2]	7,900 [2.3]	13.00	16.00	76	875 [413]	
	RCQD-3621(RGTM-06?MAE?)	30,200 [8.8]	22,900 [6.7]	7,300 [2.1]	13.00	16.00	76	900 [425]	
	RCQD-3621(RGTM-07?RBG?)	30,400 [8.9]	23,200 [6.8]	7,200 [2.1]	13.00	16.00	76	950 [448]	
	RCQD-3621(RGTM-09?ZAJ?)	30,400 [8.9]	23,200 [6.8]	7,200 [2.1]	13.00	16.00	76	975 [460]	
	RCQD-3621(RHWB-04WMX36A)	30,400 [8.9]	23,600 [6.9]	6,800 [2.0]	13.00	16.00	76	1,075 [507]	
	RCQD-3621(RHWB-06WMX48A)	30,200 [8.8]	23,200 [6.8]	7,000 [2.1]	13.00	16.00	76	1,000 [472]	
	30	RCQD-3621(ROCA-070E03)	29,800 [8.7]	22,350 [6.5]	7,450 [2.2]	13.00	16.00	76	1,000 [472]
		RCQD-3621(ROCA-070E04)	29,800 [8.7]	22,350 [6.5]	7,450 [2.2]	13.00	16.00	76	1,000 [472]
		RCQD-3621(ROLA-070E03)	29,800 [8.7]	22,350 [6.5]	7,450 [2.2]	13.00	16.00	76	975 [460]
		RCQD-3621(ROLA-070E04)	29,800 [8.7]	22,350 [6.5]	7,450 [2.2]	13.00	16.00	76	1,025 [484]
		RCQD-3621(ROLA-115E05)	30,000 [8.8]	22,750 [6.7]	7,250 [2.1]	13.00	16.00	76	1,050 [495]
RCQD-3621+RXMD-C04		29,000 [8.5]	21,750 [6.4]	7,250 [2.1]	12.00	14.50	76	1,000 [472]	
RCQD-3624(RGFE-09?ZCM?)		29,800 [8.7]	22,350 [6.5]	7,450 [2.2]	13.00	16.00	76	975 [460]	
RCQD-3624(RGFE-10?ZCM?)		29,800 [8.7]	22,350 [6.5]	7,450 [2.2]	13.00	16.00	76	1,000 [472]	
RCQD-3624(RGFE-12?RCM?)		29,800 [8.7]	22,350 [6.5]	7,450 [2.2]	13.00	16.00	76	975 [460]	
RCQD-3624(RGFG-09NZCMS)		29,600 [8.7]	21,850 [6.4]	7,750 [2.3]	13.00	16.00	76	875 [413]	
RCQD-3624(RGFG-09EZCMS)		29,600 [8.7]	21,850 [6.4]	7,750 [2.3]	13.00	16.00	76	875 [413]	
RCQD-3624(RGFG-10EZCMS)		29,600 [8.7]	21,950 [6.4]	7,650 [2.2]	13.00	16.00	76	900 [425]	
RCQD-3624(RGFG-10NZCMS)		29,600 [8.7]	21,950 [6.4]	7,650 [2.2]	13.00	16.00	76	900 [425]	
RCQD-3624(RGFG-12NRCMS)		29,600 [8.7]	21,850 [6.4]	7,750 [2.3]	13.00	16.00	76	875 [413]	
RCQD-3624(RGFG-12ERCMS)		29,600 [8.7]	21,850 [6.4]	7,750 [2.3]	13.00	16.00	76	875 [413]	
RCQD-3624(RGJF-09?ZCM?)		29,800 [8.7]	22,350 [6.5]	7,450 [2.2]	13.00	16.00	76	1,000 [472]	
RCQD-3624(RGJF-10?ZCM?)		29,800 [8.7]	22,350 [6.5]	7,450 [2.2]	13.00	16.00	76	1,000 [472]	
RCQD-3624(RGJF-12?RCM?)		30,000 [8.8]	22,550 [6.6]	7,450 [2.2]	13.00	16.00	76	1,000 [472]	
RCQD-3624(RGPE-07?BRQ?)		29,800 [8.7]	22,350 [6.5]	7,450 [2.2]	13.00	16.00	76	1,025 [484]	
RCQD-3624(RGPE-10?BRM?)		30,200 [8.8]	23,000 [6.7]	7,200 [2.1]	13.00	16.00	76	1,075 [507]	
RCQD-3624(RGPE-12?ARM?)		30,200 [8.8]	23,000 [6.7]	7,200 [2.1]	13.00	16.00	76	1,075 [507]	
RCQD-3624(RGPT-07?BRQ?)		30,200 [8.8]	22,900 [6.7]	7,300 [2.1]	13.00	16.00	76	1,050 [495]	
RCQD-3624(RGPT-10?BRM?)		30,200 [8.8]	23,000 [6.7]	7,200 [2.1]	13.00	16.00	76	1,075 [507]	
RCQD-3624(RGPT-12?ARM?)		30,000 [8.8]	22,500 [6.6]	7,500 [2.2]	13.00	16.00	76	975 [460]	
RCQD-3624(RGRM-07?YBG?)		28,800 [8.4]	20,850 [6.1]	7,950 [2.3]	13.00	15.50	76	850 [401]	

① Highest sales volume tested combination required by D.O.E. test procedures.

[] Designates Metric Conversions

Performance Data @ AHRI Standard Conditions—Cooling (con't.)

Model Numbers		80°F [26.5°C] DB/67°F [19.5°C] WB Indoor Air 95°F [35°C] DB Outdoor Air					Sound Rating dB	Indoor CFM [L/s]
Outdoor Unit 14AJM	Indoor Coil and/or Air Handler	Total Capacity BTU/H [kW]	Net Sensible BTU/H [kW]	Net Latent BTU/H [kW]	EER	SEER		
Rev. 4/5/13	RCQD-3624(RGRM-09?ZAJ?)	29,600 [8.7]	22,000 [6.4]	7,600 [2.2]	13.00	16.00	76	950 [448]
	RCQD-3624(RGRM-10?ZAJ?)	29,200 [8.6]	21,300 [6.2]	7,900 [2.3]	13.00	16.00	76	875 [413]
30	RCQD-3624(RGRM-12?RAJ?)	29,600 [8.7]	21,850 [6.4]	7,750 [2.3]	13.00	16.00	76	925 [437]
	RCQD-3624(RGTM-07?RBG?)	30,400 [8.9]	23,200 [6.8]	7,200 [2.1]	13.00	16.00	76	950 [448]
	RCQD-3624(RGTM-09?ZAJ?)	30,400 [8.9]	23,200 [6.8]	7,200 [2.1]	13.00	16.00	76	975 [460]
	RCQD-3624(RGTM-10?RBJ?)	30,400 [8.9]	23,200 [6.8]	7,200 [2.1]	13.00	16.00	76	975 [460]
	RCQD-3624(ROCA-070E03)	29,800 [8.7]	22,350 [6.5]	7,450 [2.2]	13.00	16.00	76	1,000 [472]
	RCQD-3624(ROCA-070E04)	29,800 [8.7]	22,350 [6.5]	7,450 [2.2]	13.00	16.00	76	1,000 [472]
	RCQD-3624(ROLA-070E03)	29,800 [8.7]	22,350 [6.5]	7,450 [2.2]	13.00	16.00	76	975 [460]
	RCQD-3624(ROLA-070E04)	29,800 [8.7]	22,350 [6.5]	7,450 [2.2]	13.00	16.00	76	975 [460]
	RCQD-3624(ROLA-115E05)	29,400 [8.6]	21,600 [6.3]	7,800 [2.3]	13.00	16.00	76	900 [425]
	RCQD-3624+RXMD-C04	29,000 [8.5]	21,750 [6.4]	7,250 [2.1]	12.00	14.50	76	1,000 [472]
	RHKL-HM3617(RCSL-H*3617)	28,800 [8.4]	21,100 [6.2]	7,700 [2.3]	13.00	15.50	76	1,025 [484]
	RHLL-HM3617(RCSL-H*3617)	29,200 [8.6]	21,250 [6.2]	7,950 [2.3]	13.00	16.00	76	1,000 [472]
	RHSL-HM3017(RCSL-H*3617)	28,400 [8.3]	20,400 [6.0]	8,000 [2.3]	12.00	14.50	76	950 [448]
	RHKL-HM3821(RCSL-H*3821)	28,800 [8.4]	20,900 [6.1]	7,900 [2.3]	13.00	16.00	76	1,000 [472]
	RHLL-HM3821(RCSL-H*3821)	29,600 [8.7]	21,650 [6.3]	7,950 [2.3]	13.00	16.00	76	975 [460]
	36	RCFL-H*3617+RXMD-C04 ①	35,000 [10.3]	24,350 [7.1]	10,650 [3.1]	12.00	14.50	77
RHAL-FR36P		36,000 [10.5]	26,600 [7.8]	9,400 [2.8]	12.00	14.50	77	1,200 [566]
RHAL-FR36T		36,000 [10.5]	26,600 [7.8]	9,400 [2.8]	12.00	14.50	77	1,200 [566]
RHBL-FR36T		37,400 [11.0]	27,750 [8.1]	9,650 [2.8]	13.00	15.50	77	1,150 [543]
RCFL-A*3617(RGFE-06?MCK?)		35,000 [10.3]	23,950 [7.0]	11,050 [3.2]	12.50	15.00	77	1,000 [472]
RCFL-A*3617(RGFE-07?MCK?)		35,000 [10.3]	24,050 [7.0]	10,950 [3.2]	12.50	14.50	77	1,025 [484]
RCFL-A*3617(RGFG-06NMCKS)		35,000 [10.3]	23,800 [7.0]	11,200 [3.3]	12.50	15.00	77	1,000 [472]
RCFL-A*3617(RGFG-06EMCKS)		35,000 [10.3]	23,800 [7.0]	11,200 [3.3]	12.50	15.00	77	1,000 [472]
RCFL-A*3617(RGFG-07EMCKS)		34,800 [10.2]	23,800 [7.0]	11,000 [3.2]	12.00	14.50	77	1,000 [472]
RCFL-A*3617(RGFG-07NMCKS)		34,800 [10.2]	23,800 [7.0]	11,000 [3.2]	12.00	14.50	77	1,000 [472]
RCFL-A*3617(RGGE-06?MCK?)		35,200 [10.3]	24,200 [7.1]	11,000 [3.2]	12.50	15.10	77	1,025 [484]
RCFL-A*3617(RGGE-07?MCK?)		35,200 [10.3]	24,200 [7.1]	11,000 [3.2]	12.50	15.10	77	1,025 [484]
RCFL-A*3617(RGLE-07?AMK?)		35,200 [10.3]	24,200 [7.1]	11,000 [3.2]	13.00	15.10	77	1,025 [484]
RCFL-A*3617(RGLE-07?BRQ?)		35,400 [10.4]	24,350 [7.1]	11,050 [3.2]	13.00	15.50	77	1,025 [484]
RCFL-A*3617(RGLT-07?AMK?)		36,000 [10.5]	25,700 [7.5]	10,300 [3.0]	13.00	15.50	77	1,150 [543]
RCFL-A*3617(RGPE-05?BMK?)		34,800 [10.2]	23,700 [6.9]	11,100 [3.3]	12.50	15.10	77	975 [460]
RCFL-A*3617(RGPE-07?AMK?)		35,000 [10.3]	23,900 [7.0]	11,100 [3.3]	12.50	15.10	77	1,000 [472]
RCFL-A*3617(RGPT-05?BMK?)		35,400 [10.4]	24,650 [7.2]	10,750 [3.1]	12.50	15.00	77	1,050 [495]
RCFL-A*3617(RGPT-07?AMK?)		35,400 [10.4]	24,600 [7.2]	10,800 [3.2]	12.50	15.10	77	1,050 [495]
RCFL-A*3617(RGRM-04?MAE?)		35,000 [10.3]	24,100 [7.1]	10,900 [3.2]	12.00	14.50	77	1,025 [484]
RCFL-A*3617(RGRM-06?MAE?)		34,800 [10.2]	23,800 [7.0]	11,000 [3.2]	12.00	14.50	77	1,000 [472]
RCFL-A*3617(RGRM-07?MAE?)		34,600 [10.1]	23,400 [6.9]	11,200 [3.3]	12.00	14.50	77	950 [448]
RCFL-A*3617(RGTM-06?MAE?)		35,400 [10.4]	24,650 [7.2]	10,750 [3.1]	12.50	15.10	77	1,075 [507]
RCFL-A*3617(RGTM-07?RBG?)		35,600 [10.4]	24,750 [7.3]	10,850 [3.2]	13.00	15.50	77	1,050 [495]
RCFL-A*3617(RGTM-09?ZAJ?)		35,600 [10.4]	24,800 [7.3]	10,800 [3.2]	12.50	15.10	77	1,100 [519]
RCFL-A*3617(RHWB-04WMX36A)		35,200 [10.3]	24,300 [7.1]	10,900 [3.2]	12.50	15.10	77	1,025 [484]
RCFL-A*3617(RHWB-06WMX48A)		35,600 [10.4]	25,300 [7.4]	10,300 [3.0]	12.00	14.50	77	1,150 [543]
RCFL-A*3617(ROCA-070E03)		35,200 [10.3]	24,100 [7.1]	11,100 [3.3]	12.50	15.10	77	1,000 [472]
RCFL-A*3617(ROCA-070E04)		35,200 [10.3]	24,100 [7.1]	11,100 [3.3]	12.50	15.10	77	1,000 [472]
RCFL-A*3617(ROLA-070E03)		35,800 [10.5]	25,500 [7.5]	10,300 [3.0]	12.50	15.10	77	1,175 [554]
RCFL-A*3617(ROLA-070E04)		35,800 [10.5]	25,500 [7.5]	10,300 [3.0]	12.50	15.10	77	1,175 [554]
RCFL-A*3617+RXMD-C04		35,200 [10.3]	24,400 [7.1]	10,700 [3.1]	12.00	14.50	77	1,075 [507]
RCFL-A*3621(RGFE-06?MCK?)		35,000 [10.3]	23,900 [7.0]	11,100 [3.3]	12.50	15.00	77	1,000 [472]

① Highest sales volume tested combination required by D.O.E. test procedures.

[] Designates Metric Conversions

Performance Data @ AHRI Standard Conditions—Cooling (con't.)

Model Numbers		80°F [26.5°C] DB/67°F [19.5°C] WB Indoor Air 95°F [35°C] DB Outdoor Air					Sound Rating dB	Indoor CFM [L/s]
Outdoor Unit 14AJM	Indoor Coil and/or Air Handler	Total Capacity BTU/H [kW]	Net Sensible BTU/H [kW]	Net Latent BTU/H [kW]	EER	SEER		
Rev. 4/5/13	RCFL-A*3621(RGFE-07?MCK?)	35,000 [10.3]	24,050 [7.0]	10,950 [3.2]	12.50	15.00	77	1,025 [484]
	RCFL-A*3621(RGFE-09?ZCM?)	36,000 [10.5]	25,800 [7.6]	10,200 [3.0]	12.50	14.50	77	1,200 [566]
	RCFL-A*3621(RGFE-10?ZCM?)	35,200 [10.3]	24,050 [7.0]	11,150 [3.3]	13.00	15.50	77	1,000 [472]
	RCFL-A*3621(RGFG-06NMCKS)	35,000 [10.3]	23,800 [7.0]	11,200 [3.3]	12.50	15.10	77	1,000 [472]
	RCFL-A*3621(RGFG-06EMCKS)	35,000 [10.3]	23,800 [7.0]	11,200 [3.3]	12.50	15.10	77	1,000 [472]
	RCFL-A*3621(RGFG-07EMCKS)	35,000 [10.3]	23,800 [7.0]	11,200 [3.3]	12.00	14.50	77	1,000 [472]
	RCFL-A*3621(RGFG-07NMCKS)	35,000 [10.3]	23,800 [7.0]	11,200 [3.3]	12.00	14.50	77	1,000 [472]
	RCFL-A*3621(RGFG-09NZCMS)	35,200 [10.3]	24,200 [7.1]	11,000 [3.2]	12.50	15.10	77	1,025 [484]
	RCFL-A*3621(RGFG-09EZCMS)	35,200 [10.3]	24,200 [7.1]	11,000 [3.2]	12.50	15.10	77	1,025 [484]
	RCFL-A*3621(RGFG-10EZCMS)	35,200 [10.3]	24,000 [7.0]	11,200 [3.3]	12.50	15.10	77	1,000 [472]
	RCFL-A*3621(RGFG-10NZCMS)	35,200 [10.3]	24,000 [7.0]	11,200 [3.3]	12.50	15.10	77	1,000 [472]
	RCFL-A*3621(RGGE-06?MCK?)	35,200 [10.3]	24,200 [7.1]	11,000 [3.2]	12.50	15.10	77	1,025 [484]
	RCFL-A*3621(RGGE-07?MCK?)	35,200 [10.3]	24,200 [7.1]	11,000 [3.2]	12.50	15.10	77	1,025 [484]
	RCFL-A*3621(RGGE-09?ZCM?)	35,200 [10.3]	24,150 [7.1]	11,050 [3.2]	13.00	15.50	77	1,025 [484]
	RCFL-A*3621(RGGE-10?ZCM?)	35,600 [10.4]	24,800 [7.3]	10,800 [3.2]	13.00	15.50	77	1,050 [495]
	RCFL-A*3621(RGLE-07?AMK?)	35,200 [10.3]	24,150 [7.1]	11,050 [3.2]	13.00	15.50	77	1,025 [484]
	RCFL-A*3621(RGLE-07?BRQ?)	35,400 [10.4]	24,500 [7.2]	10,900 [3.2]	13.00	15.50	77	1,025 [484]
	RCFL-A*3621(RGLE-10?BRM?)	35,800 [10.5]	24,900 [7.3]	10,900 [3.2]	13.00	16.00	77	1,050 [495]
	RCFL-A*3621(RGLT-07?AMK?)	36,000 [10.5]	25,700 [7.5]	10,300 [3.0]	13.00	15.50	77	1,150 [543]
	RCFL-A*3621(RGLT-07?BRQ?)	36,200 [10.6]	25,950 [7.6]	10,250 [3.0]	12.50	15.10	77	1,200 [566]
	RCFL-A*3621(RGLT-10?BRM?)	36,000 [10.5]	25,650 [7.5]	10,350 [3.0]	13.00	15.50	77	1,175 [554]
	RCFL-A*3621(RGPE-05?BMK?)	35,800 [10.5]	25,650 [7.5]	10,150 [3.0]	12.00	14.50	77	1,200 [566]
	RCFL-A*3621(RGPE-07?AMK?)	35,200 [10.3]	24,100 [7.1]	11,100 [3.3]	12.50	15.10	77	1,000 [472]
	RCFL-A*3621(RGPE-07?BRQ?)	35,600 [10.4]	24,750 [7.3]	10,850 [3.2]	13.00	15.50	77	1,050 [495]
	RCFL-A*3621(RGPE-10?BRM?)	35,600 [10.4]	24,750 [7.3]	10,850 [3.2]	13.00	15.50	77	1,075 [507]
	RCFL-A*3621(RGPT-05?BMK?)	35,400 [10.4]	24,650 [7.2]	10,750 [3.1]	12.50	15.10	77	1,075 [507]
	RCFL-A*3621(RGPT-07?AMK?)	35,400 [10.4]	24,600 [7.2]	10,800 [3.2]	12.50	15.10	77	1,050 [495]
	RCFL-A*3621(RGPT-07?BRQ?)	35,200 [10.3]	24,100 [7.1]	11,100 [3.3]	13.00	15.50	77	975 [460]
	RCFL-A*3621(RGPT-10?BRM?)	36,200 [10.6]	25,800 [7.6]	10,400 [3.0]	13.00	15.50	77	1,175 [554]
	RCFL-A*3621(RGRM-04?MAE?)	35,000 [10.3]	24,100 [7.1]	10,900 [3.2]	12.00	14.50	77	1,025 [484]
	RCFL-A*3621(RGRM-06?MAE?)	35,000 [10.3]	24,000 [7.0]	11,000 [3.2]	12.00	14.50	77	1,000 [472]
	RCFL-A*3621(RGRM-07?MAE?)	34,600 [10.1]	23,400 [6.9]	11,200 [3.3]	12.00	14.50	77	950 [448]
	RCFL-A*3621(RGRM-07?YBG?)	35,200 [10.3]	24,500 [7.2]	10,700 [3.1]	12.00	14.50	77	1,050 [495]
	RCFL-A*3621(RGRM-09?ZAJ?)	35,400 [10.4]	24,650 [7.2]	10,750 [3.1]	12.50	15.10	77	1,075 [507]
	RCFL-A*3621(RGRM-10?ZAJ?)	35,200 [10.3]	24,200 [7.1]	11,000 [3.2]	12.50	15.10	77	1,025 [484]
	RCFL-A*3621(RGTM-06?MAE?)	35,200 [10.3]	24,300 [7.1]	10,900 [3.2]	12.50	15.10	77	1,025 [484]
	RCFL-A*3621(RGTM-07?RBG?)	35,600 [10.4]	24,900 [7.3]	10,700 [3.1]	13.00	15.50	77	1,050 [495]
	RCFL-A*3621(RGTM-09?ZAJ?)	35,600 [10.4]	24,900 [7.3]	10,700 [3.1]	13.00	15.50	77	1,100 [519]
	RCFL-A*3621(RHWB-04WMX36A)	35,200 [10.3]	24,300 [7.1]	10,900 [3.2]	12.50	15.10	77	1,025 [484]
	RCFL-A*3621(RHWB-06WMX48A)	35,800 [10.5]	25,600 [7.5]	10,200 [3.0]	12.00	14.50	77	1,175 [554]
RCFL-A*3621(ROCA-070E03)	35,200 [10.3]	24,050 [7.0]	11,150 [3.3]	12.50	15.10	77	1,000 [472]	
RCFL-A*3621(ROCA-070E04)	35,200 [10.3]	24,050 [7.0]	11,150 [3.3]	12.50	15.10	77	1,000 [472]	
RCFL-A*3621(ROLA-070E03)	36,000 [10.5]	25,650 [7.5]	10,350 [3.0]	12.50	15.10	77	1,175 [554]	
RCFL-A*3621(ROLA-070E04)	35,400 [10.4]	24,350 [7.1]	11,050 [3.2]	13.00	15.50	77	1,025 [484]	
RCFL-A*3621(ROLA-115E05)	35,600 [10.4]	24,750 [7.3]	10,850 [3.2]	13.00	15.50	77	1,050 [495]	
RCFL-A*3621+RXMD-C04	35,200 [10.3]	24,400 [7.1]	10,700 [3.1]	12.00	14.50	77	1,075 [507]	
RCFL-A*3821(RGFE-06?MCK?)	36,000 [10.5]	25,500 [7.5]	10,500 [3.1]	13.00	15.50	77	1,000 [472]	
RCFL-A*3821(RGFE-07?MCK?)	36,200 [10.6]	25,800 [7.6]	10,400 [3.0]	12.50	15.10	77	1,025 [484]	
RCFL-A*3821(RGFE-09?ZCM?)	36,400 [10.7]	26,000 [7.6]	10,400 [3.0]	13.00	15.50	77	1,025 [484]	
RCFL-A*3821(RGFE-10?ZCM?)	36,400 [10.7]	26,000 [7.6]	10,400 [3.0]	13.00	15.50	77	1,025 [484]	

36

Ⓢ Highest sales volume tested combination required by D.O.E. test procedures.

[] Designates Metric Conversions

Performance Data @ AHRI Standard Conditions—Cooling (con't.)

Model Numbers		80°F [26.5°C] DB/67°F [19.5°C] WB Indoor Air 95°F [35°C] DB Outdoor Air					Sound Rating dB	Indoor CFM [L/s]
Outdoor Unit 14AJM	Indoor Coil and/or Air Handler	Total Capacity BTU/H [kW]	Net Sensible BTU/H [kW]	Net Latent BTU/H [kW]	EER	SEER		
Rev. 4/5/13	RCFL-A*3821(RGFG-06NMCKS)	36,800 [10.8]	27,200 [8.0]	9,600 [2.8]	12.00	14.50	77	1,200 [566]
	RCFL-A*3821(RGFG-06EMCKS)	36,800 [10.8]	27,200 [8.0]	9,600 [2.8]	12.00	14.50	77	1,200 [566]
	RCFL-A*3821(RGFG-07EMCKS)	36,800 [10.8]	27,300 [8.0]	9,500 [2.8]	12.00	14.50	77	1,225 [578]
	RCFL-A*3821(RGFG-07NMCKS)	36,800 [10.8]	27,300 [8.0]	9,500 [2.8]	12.00	14.50	77	1,225 [578]
	RCFL-A*3821(RGFG-09NZCMS)	37,000 [10.8]	27,400 [8.0]	9,600 [2.8]	13.00	15.50	77	1,200 [566]
	RCFL-A*3821(RGFG-09EZCMS)	37,000 [10.8]	27,400 [8.0]	9,600 [2.8]	13.00	15.50	77	1,200 [566]
	RCFL-A*3821(RGFG-10EZCMS)	37,000 [10.8]	27,400 [8.0]	9,600 [2.8]	12.50	15.10	77	1,200 [566]
	RCFL-A*3821(RGFG-10NZCMS)	37,000 [10.8]	27,400 [8.0]	9,600 [2.8]	12.50	15.10	77	1,200 [566]
	RCFL-A*3821(RGGE-06?MCK?)	36,200 [10.6]	25,800 [7.6]	10,400 [3.0]	13.00	15.50	77	1,025 [484]
	RCFL-A*3821(RGGE-07?MCK?)	36,200 [10.6]	25,800 [7.6]	10,400 [3.0]	13.00	15.50	77	1,025 [484]
	RCFL-A*3821(RGGE-09?ZCM?)	36,400 [10.7]	26,000 [7.6]	10,400 [3.0]	13.00	16.00	77	1,025 [484]
	RCFL-A*3821(RGGE-10?ZCM?)	36,200 [10.6]	25,700 [7.5]	10,500 [3.1]	13.00	16.00	77	1,000 [472]
	RCFL-A*3821(RGLE-07?AMK?)	36,400 [10.7]	26,000 [7.6]	10,400 [3.0]	13.00	15.50	77	1,025 [484]
	RCFL-A*3821(RGLE-07?BRQ?)	36,400 [10.7]	26,000 [7.6]	10,400 [3.0]	13.00	16.00	77	1,025 [484]
	RCFL-A*3821(RGLE-10?BRM?)	36,800 [10.8]	26,600 [7.8]	10,200 [3.0]	13.00	16.00	77	1,050 [495]
	RCFL-A*3821(RGLT-07?AMK?)	37,000 [10.8]	27,200 [8.0]	9,800 [2.9]	13.00	16.00	77	1,150 [543]
	RCFL-A*3821(RGLT-07?BRQ?)	37,600 [11.0]	28,200 [8.3]	9,400 [2.8]	13.00	15.50	77	1,250 [590]
	RCFL-A*3821(RGLT-10?BRM?)	37,600 [11.0]	28,200 [8.3]	9,400 [2.8]	13.00	15.50	77	1,250 [590]
	RCFL-A*3821(RGPE-05?BMK?)	36,800 [10.8]	27,200 [8.0]	9,600 [2.8]	12.50	15.00	77	1,200 [566]
	RCFL-A*3821(RGPE-07?AMK?)	36,200 [10.6]	25,700 [7.5]	10,500 [3.1]	13.00	15.50	77	1,000 [472]
	RCFL-A*3821(RGPE-07?BRQ?)	36,800 [10.8]	26,600 [7.8]	10,200 [3.0]	13.00	16.00	77	1,050 [495]
	RCFL-A*3821(RGPE-10?BRM?)	36,800 [10.8]	26,600 [7.8]	10,200 [3.0]	13.00	16.00	77	1,075 [507]
	RCFL-A*3821(RGPT-05?BMK?)	36,400 [10.7]	26,200 [7.7]	10,200 [3.0]	12.50	15.10	77	1,100 [519]
	RCFL-A*3821(RGPT-07?AMK?)	36,400 [10.7]	26,200 [7.7]	10,200 [3.0]	13.00	15.50	77	1,100 [519]
	RCFL-A*3821(RGPT-07?BRQ?)	36,400 [10.7]	26,000 [7.6]	10,400 [3.0]	13.00	16.00	77	1,025 [484]
	RCFL-A*3821(RGPT-10?BRM?)	37,400 [11.0]	27,900 [8.2]	9,500 [2.8]	13.00	16.00	77	1,225 [578]
	RCFL-A*3821(RGRM-04?MAE?)	36,000 [10.5]	25,600 [7.5]	10,400 [3.0]	12.50	15.10	77	1,025 [484]
	RCFL-A*3821(RGRM-06?MAE?)	36,000 [10.5]	25,500 [7.5]	10,500 [3.1]	12.50	15.10	77	1,000 [472]
	RCFL-A*3821(RGRM-07?MAE?)	35,800 [10.5]	25,400 [7.4]	10,400 [3.0]	12.00	14.50	77	1,025 [484]
	RCFL-A*3821(RGRM-07?YBG?)	36,200 [10.6]	26,000 [7.6]	10,200 [3.0]	12.50	15.10	77	1,050 [495]
	RCFL-A*3821(RGRM-09?ZAJ?)	36,600 [10.7]	26,400 [7.7]	10,200 [3.0]	13.00	15.50	77	1,075 [507]
	RCFL-A*3821(RGRM-10?ZAJ?)	36,200 [10.6]	25,800 [7.6]	10,400 [3.0]	13.00	15.50	77	1,025 [484]
	RCFL-A*3821(RGTM-06?MAE?)	36,400 [10.7]	26,200 [7.7]	10,200 [3.0]	13.00	15.50	77	1,075 [507]
	RCFL-A*3821(RGTM-07?RBG?)	36,800 [10.8]	26,600 [7.8]	10,200 [3.0]	13.00	16.00	77	1,050 [495]
	RCFL-A*3821(RGTM-09?ZAJ?)	36,600 [10.7]	26,400 [7.7]	10,200 [3.0]	13.00	16.00	77	1,100 [519]
	RCFL-A*3821(RHWB-04WMX36A)	36,600 [10.7]	26,400 [7.7]	10,200 [3.0]	13.00	15.50	77	1,050 [495]
	RCFL-A*3821(RHWB-06WMX48A)	36,200 [10.6]	25,700 [7.5]	10,500 [3.1]	12.50	15.50	77	1,000 [472]
	RCFL-A*3821(ROCA-070E03)	37,000 [10.8]	27,400 [8.0]	9,600 [2.8]	12.50	15.10	77	1,200 [566]
	RCFL-A*3821(ROCA-070E04)	37,000 [10.8]	27,400 [8.0]	9,600 [2.8]	12.50	15.10	77	1,200 [566]
	RCFL-A*3821(ROLA-070E03)	37,000 [10.8]	27,300 [8.0]	9,700 [2.8]	13.00	15.50	77	1,175 [554]
RCFL-A*3821(ROLA-070E04)	37,000 [10.8]	27,300 [8.0]	9,700 [2.8]	13.00	15.50	77	1,175 [554]	
RCFL-A*3821(ROLA-115E05)	37,200 [10.9]	27,600 [8.1]	9,600 [2.8]	13.00	15.50	77	1,200 [566]	
RCFL-A*3821+RXMD-C04	35,800 [10.5]	25,600 [7.5]	10,200 [3.0]	12.00	14.50	77	1,075 [507]	
RCFL-A*3824(RGFE-09?ZCM?)	36,400 [10.7]	26,000 [7.6]	10,400 [3.0]	13.00	15.50	77	1,025 [484]	
RCFL-A*3824(RGFE-10?ZCM?)	36,400 [10.7]	26,000 [7.6]	10,400 [3.0]	13.00	15.50	77	1,025 [484]	
RCFL-A*3824(RGFE-12?RCM?)	36,400 [10.7]	26,000 [7.6]	10,400 [3.0]	13.00	16.00	77	1,025 [484]	
RCFL-A*3824(RGFG-09NZCMS)	37,200 [10.9]	27,600 [8.1]	9,600 [2.8]	13.00	15.50	77	1,200 [566]	
RCFL-A*3824(RGFG-09EZCMS)	37,200 [10.9]	27,600 [8.1]	9,600 [2.8]	13.00	15.50	77	1,200 [566]	
RCFL-A*3824(RGFG-10EZCMS)	37,000 [10.8]	27,400 [8.0]	9,600 [2.8]	12.50	15.10	77	1,200 [566]	
RCFL-A*3824(RGFG-10NZCMS)	37,000 [10.8]	27,400 [8.0]	9,600 [2.8]	12.50	15.10	77	1,200 [566]	

36

① Highest sales volume tested combination required by D.O.E. test procedures.

[] Designates Metric Conversions

Performance Data @ AHRI Standard Conditions—Cooling (con't.)

Model Numbers		80°F [26.5°C] DB/67°F [19.5°C] WB Indoor Air 95°F [35°C] DB Outdoor Air					Sound Rating dB	Indoor CFM [L/s]
Outdoor Unit 14AJM	Indoor Coil and/or Air Handler	Total Capacity BTU/H [kW]	Net Sensible BTU/H [kW]	Net Latent BTU/H [kW]	EER	SEER		
Rev. 4/5/13	RCFL-A*3824(RGFG-12NRCMS)	37,400 [11.0]	27,900 [8.2]	9,500 [2.8]	13.00	15.50	77	1,225 [578]
	RCFL-A*3824(RGFG-12ERCMS)	37,400 [11.0]	27,900 [8.2]	9,500 [2.8]	13.00	15.50	77	1,225 [578]
	RCFL-A*3824(RGGE-09?ZCM?)	36,400 [10.7]	26,000 [7.6]	10,400 [3.0]	13.00	16.00	77	1,025 [484]
	RCFL-A*3824(RGGE-10?ZCM?)	36,200 [10.6]	25,700 [7.5]	10,500 [3.1]	13.00	16.00	77	1,000 [472]
	RCFL-A*3824(RGGE-12?RCM?)	36,800 [10.8]	26,600 [7.8]	10,200 [3.0]	13.00	16.00	77	1,050 [495]
	RCFL-A*3824(RGLE-07?BRQ?)	36,400 [10.7]	26,000 [7.6]	10,400 [3.0]	13.00	16.00	77	1,025 [484]
	RCFL-A*3824(RGLE-10?BRM?)	36,800 [10.8]	26,600 [7.8]	10,200 [3.0]	13.00	16.00	77	1,050 [495]
	RCFL-A*3824(RGLE-12?ARM?)	36,800 [10.8]	26,600 [7.8]	10,200 [3.0]	13.00	16.00	77	1,075 [507]
	RCFL-A*3824(RGLT-07?BRQ?)	37,600 [11.0]	28,200 [8.3]	9,400 [2.8]	13.00	15.50	77	1,250 [590]
	RCFL-A*3824(RGLT-10?BRM?)	37,600 [11.0]	28,200 [8.3]	9,400 [2.8]	13.00	15.50	77	1,250 [590]
	RCFL-A*3824(RGLT-12?ARM?)	37,200 [10.9]	27,400 [8.0]	9,800 [2.9]	13.00	16.00	77	1,150 [543]
	RCFL-A*3824(RGPE-07?BRQ?)	36,800 [10.8]	26,600 [7.8]	10,200 [3.0]	13.00	16.00	77	1,050 [495]
	RCFL-A*3824(RGPE-10?BRM?)	36,800 [10.8]	26,600 [7.8]	10,200 [3.0]	13.00	16.00	77	1,075 [507]
	RCFL-A*3824(RGPE-12?ARM?)	36,800 [10.8]	26,600 [7.8]	10,200 [3.0]	13.00	16.00	77	1,075 [507]
	RCFL-A*3824(RGPT-07?BRQ?)	36,400 [10.7]	26,000 [7.6]	10,400 [3.0]	13.00	16.00	77	1,025 [484]
	RCFL-A*3824(RGPT-10?BRM?)	37,400 [11.0]	27,900 [8.2]	9,500 [2.8]	13.00	16.00	77	1,225 [578]
	RCFL-A*3824(RGPT-12?ARM?)	37,200 [10.9]	27,500 [8.1]	9,700 [2.8]	13.00	16.00	77	1,175 [554]
	RCFL-A*3824(RGRM-07?YBG?)	36,200 [10.6]	26,000 [7.6]	10,200 [3.0]	12.50	15.00	77	1,050 [495]
	RCFL-A*3824(RGRM-09?ZAJ?)	36,600 [10.7]	26,400 [7.7]	10,200 [3.0]	13.00	15.50	77	1,075 [507]
	RCFL-A*3824(RGRM-10?ZAJ?)	36,200 [10.6]	25,800 [7.6]	10,400 [3.0]	13.00	15.50	77	1,025 [484]
	RCFL-A*3824(RGRM-12?RAJ?)	36,600 [10.7]	26,400 [7.7]	10,200 [3.0]	13.00	16.00	77	1,075 [507]
	RCFL-A*3824(RGTM-07?RBG?)	36,800 [10.8]	26,600 [7.8]	10,200 [3.0]	13.00	16.00	77	1,050 [495]
	RCFL-A*3824(RGTM-09?ZAJ?)	36,600 [10.7]	26,400 [7.7]	10,200 [3.0]	13.00	16.00	77	1,100 [519]
	RCFL-A*3824(RGTM-10?RBJ?)	37,000 [10.8]	27,000 [7.9]	10,000 [2.9]	13.00	16.00	77	1,125 [531]
	RCFL-A*3824(ROCA-070E03)	37,000 [10.8]	27,400 [8.0]	9,600 [2.8]	12.50	15.10	77	1,200 [566]
	RCFL-A*3824(ROCA-070E04)	37,000 [10.8]	27,400 [8.0]	9,600 [2.8]	12.50	15.10	77	1,200 [566]
	RCFL-A*3824(ROLA-070E03)	37,200 [10.9]	27,500 [8.1]	9,700 [2.8]	13.00	15.50	77	1,175 [554]
	RCFL-A*3824(ROLA-070E04)	37,200 [10.9]	27,500 [8.1]	9,700 [2.8]	13.00	15.50	77	1,175 [554]
	RCFL-A*3824(ROLA-115E05)	37,400 [11.0]	27,800 [8.1]	9,600 [2.8]	13.00	15.50	77	1,200 [566]
	RCFL-A*3824+RXMD-C04	35,800 [10.5]	25,600 [7.5]	10,200 [3.0]	12.00	14.50	77	1,075 [507]
	RCFL-H*3617(RGFE-06?MCK?)	35,000 [10.3]	23,950 [7.0]	11,050 [3.2]	12.50	15.00	77	1,000 [472]
	RCFL-H*3617(RGFE-07?MCK?)	35,000 [10.3]	24,050 [7.0]	10,950 [3.2]	12.50	14.50	77	1,025 [484]
	RCFL-H*3617(RGFG-06NMCKS)	35,000 [10.3]	23,800 [7.0]	11,200 [3.3]	12.50	15.00	77	1,000 [472]
	RCFL-H*3617(RGFG-06EMCKS)	35,000 [10.3]	23,800 [7.0]	11,200 [3.3]	12.50	15.00	77	1,000 [472]
	RCFL-H*3617(RGFG-07EMCKS)	34,800 [10.2]	23,800 [7.0]	11,000 [3.2]	12.00	14.50	77	1,000 [472]
	RCFL-H*3617(RGFG-07NMCKS)	34,800 [10.2]	23,800 [7.0]	11,000 [3.2]	12.00	14.50	77	1,000 [472]
RCFL-H*3617(RGGE-06?MCK?)	35,200 [10.3]	24,200 [7.1]	11,000 [3.2]	12.50	15.10	77	1,025 [484]	
RCFL-H*3617(RGGE-07?MCK?)	35,200 [10.3]	24,200 [7.1]	11,000 [3.2]	12.50	15.10	77	1,025 [484]	
RCFL-H*3617(RGJF-06?MCK?)	35,200 [10.3]	24,200 [7.1]	11,000 [3.2]	12.50	15.10	77	1,025 [484]	
RCFL-H*3617(RGJF-07?MCK?)	35,200 [10.3]	24,200 [7.1]	11,000 [3.2]	12.50	15.10	77	1,025 [484]	
RCFL-H*3617(RGLE-07?AMK?)	35,200 [10.3]	24,200 [7.1]	11,000 [3.2]	13.00	15.10	77	1,025 [484]	
RCFL-H*3617(RGLT-07?AMK?)	35,600 [10.4]	24,800 [7.3]	10,800 [3.2]	12.50	15.10	77	1,050 [495]	
RCFL-H*3617(RGPE-05?BMK?)	34,800 [10.2]	23,700 [6.9]	11,100 [3.3]	12.50	15.10	77	975 [460]	
RCFL-H*3617(RGPE-07?AMK?)	35,000 [10.3]	24,000 [7.0]	11,000 [3.2]	12.50	15.10	77	1,000 [472]	
RCFL-H*3617(RGPT-05?BMK?)	35,400 [10.4]	24,650 [7.2]	10,750 [3.1]	12.50	15.00	77	1,050 [495]	
RCFL-H*3617(RGPT-07?AMK?)	35,400 [10.4]	24,600 [7.2]	10,800 [3.2]	12.50	15.10	77	1,050 [495]	
RCFL-H*3617(RGRM-04?MAE?)	35,000 [10.3]	24,050 [7.0]	10,950 [3.2]	12.00	14.50	77	1,025 [484]	
RCFL-H*3617(RGRM-06?MAE?)	35,000 [10.3]	23,950 [7.0]	11,050 [3.2]	12.00	14.50	77	1,000 [472]	
RCFL-H*3617(RGRM-07?MAE?)	34,600 [10.1]	23,400 [6.9]	11,200 [3.3]	12.00	14.50	77	950 [448]	
RCFL-H*3617(RGTM-06?MAE?)	35,400 [10.4]	24,650 [7.2]	10,750 [3.1]	12.50	15.10	77	1,075 [507]	

36

① Highest sales volume tested combination required by D.O.E. test procedures.

[] Designates Metric Conversions

Performance Data @ AHRI Standard Conditions—Cooling (con't.)

Model Numbers		80°F [26.5°C] DB/67°F [19.5°C] WB Indoor Air 95°F [35°C] DB Outdoor Air					Sound Rating dB	Indoor CFM [L/s]
Outdoor Unit 14AJM	Indoor Coil and/or Air Handler	Total Capacity BTU/H [kW]	Net Sensible BTU/H [kW]	Net Latent BTU/H [kW]	EER	SEER		
Rev. 4/5/13	RCFL-H*3621(ROCA-070E03)	35,200 [10.3]	24,050 [7.0]	11,150 [3.3]	12.50	15.10	77	1,000 [472]
	RCFL-H*3621(ROCA-070E04)	35,200 [10.3]	24,050 [7.0]	11,150 [3.3]	12.50	15.10	77	1,000 [472]
	RCFL-H*3621(ROLA-070E03)	36,000 [10.5]	25,650 [7.5]	10,350 [3.0]	12.50	15.10	77	1,175 [554]
	RCFL-H*3621(ROLA-070E04)	35,400 [10.4]	24,350 [7.1]	11,050 [3.2]	13.00	15.50	77	1,025 [484]
	RCFL-H*3621(ROLA-115E05)	35,600 [10.4]	24,750 [7.3]	10,850 [3.2]	13.00	15.50	77	1,050 [495]
	RCFL-H*3621+RXMD-C04	35,200 [10.3]	24,400 [7.1]	10,700 [3.1]	12.00	14.50	77	1,075 [507]
	RCFL-H*3821(RGFE-06?MCK?)	36,000 [10.5]	25,500 [7.5]	10,500 [3.1]	13.00	15.50	77	1,000 [472]
	RCFL-H*3821(RGFE-07?MCK?)	36,200 [10.6]	25,800 [7.6]	10,400 [3.0]	12.50	15.10	77	1,025 [484]
	RCFL-H*3821(RGFE-09?ZCM?)	36,400 [10.7]	26,000 [7.6]	10,400 [3.0]	13.00	15.50	77	1,025 [484]
	RCFL-H*3821(RGFE-10?ZCM?)	36,400 [10.7]	26,000 [7.6]	10,400 [3.0]	13.00	15.50	77	1,025 [484]
	RCFL-H*3821(RGFG-06NMCKS)	36,800 [10.8]	27,200 [8.0]	9,600 [2.8]	12.00	14.50	77	1,200 [566]
	RCFL-H*3821(RGFG-06EMCKS)	36,800 [10.8]	27,200 [8.0]	9,600 [2.8]	12.00	14.50	77	1,200 [566]
	RCFL-H*3821(RGFG-07EMCKS)	36,800 [10.8]	27,300 [8.0]	9,500 [2.8]	12.00	14.50	77	1,225 [578]
	RCFL-H*3821(RGFG-07NMCKS)	36,800 [10.8]	27,300 [8.0]	9,500 [2.8]	12.00	14.50	77	1,225 [578]
	RCFL-H*3821(RGFG-09NZCMS)	37,200 [10.9]	27,600 [8.1]	9,600 [2.8]	13.00	15.50	77	1,200 [566]
	RCFL-H*3821(RGFG-09EZCMS)	37,200 [10.9]	27,600 [8.1]	9,600 [2.8]	13.00	15.50	77	1,200 [566]
	RCFL-H*3821(RGFG-10EZCMS)	37,000 [10.8]	27,400 [8.0]	9,600 [2.8]	12.50	15.10	77	1,200 [566]
	RCFL-H*3821(RGFG-10NZCMS)	37,000 [10.8]	27,400 [8.0]	9,600 [2.8]	12.50	15.10	77	1,200 [566]
	RCFL-H*3821(RGGE-06?MCK?)	36,200 [10.6]	25,800 [7.6]	10,400 [3.0]	13.00	15.50	77	1,025 [484]
	RCFL-H*3821(RGGE-07?MCK?)	36,200 [10.6]	25,800 [7.6]	10,400 [3.0]	13.00	15.50	77	1,025 [484]
	RCFL-H*3821(RGGE-09?ZCM?)	36,400 [10.7]	26,000 [7.6]	10,400 [3.0]	13.00	16.00	77	1,025 [484]
	RCFL-H*3821(RGGE-10?ZCM?)	36,200 [10.6]	25,700 [7.5]	10,500 [3.1]	13.00	16.00	77	1,000 [472]
	RCFL-H*3821(RGJF-06?MCK?)	36,200 [10.6]	25,800 [7.6]	10,400 [3.0]	13.00	15.50	77	1,025 [484]
	RCFL-H*3821(RGJF-07?MCK?)	36,200 [10.6]	25,800 [7.6]	10,400 [3.0]	13.00	15.50	77	1,025 [484]
	RCFL-H*3821(RGJF-09?ZCM?)	36,400 [10.7]	26,000 [7.6]	10,400 [3.0]	13.00	16.00	77	1,025 [484]
	RCFL-H*3821(RGJF-10?ZCM?)	36,600 [10.7]	26,400 [7.7]	10,200 [3.0]	13.00	16.00	77	1,050 [495]
	RCFL-H*3821(RGLE-07?AMK?)	36,400 [10.7]	26,000 [7.6]	10,400 [3.0]	13.00	15.50	77	1,025 [484]
	RCFL-H*3821(RGLE-07?BRQ?)	36,400 [10.7]	26,000 [7.6]	10,400 [3.0]	13.00	16.00	77	1,025 [484]
	RCFL-H*3821(RGLE-10?BRM?)	36,800 [10.8]	26,600 [7.8]	10,200 [3.0]	13.00	16.00	77	1,050 [495]
	RCFL-H*3821(RGLT-07?AMK?)	37,000 [10.8]	27,200 [8.0]	9,800 [2.9]	13.00	16.00	77	1,150 [543]
	RCFL-H*3821(RGLT-07?BRQ?)	37,600 [11.0]	28,200 [8.3]	9,400 [2.8]	13.00	15.50	77	1,250 [590]
	RCFL-H*3821(RGLT-10?BRM?)	37,600 [11.0]	28,200 [8.3]	9,400 [2.8]	13.00	15.50	77	1,250 [590]
	RCFL-H*3821(RGPE-05?BMK?)	37,000 [10.8]	27,400 [8.0]	9,600 [2.8]	12.50	15.10	77	1,200 [566]
	RCFL-H*3821(RGPE-07?AMK?)	36,200 [10.6]	25,700 [7.5]	10,500 [3.1]	13.00	15.50	77	1,000 [472]
	RCFL-H*3821(RGPE-07?BRQ?)	36,800 [10.8]	26,600 [7.8]	10,200 [3.0]	13.00	16.00	77	1,050 [495]
	RCFL-H*3821(RGPE-10?BRM?)	36,800 [10.8]	26,600 [7.8]	10,200 [3.0]	13.00	16.00	77	1,075 [507]
	RCFL-H*3821(RGPT-05?BMK?)	36,400 [10.7]	26,200 [7.7]	10,200 [3.0]	12.50	15.10	77	1,100 [519]
	RCFL-H*3821(RGPT-07?AMK?)	36,400 [10.7]	26,200 [7.7]	10,200 [3.0]	13.00	15.50	77	1,100 [519]
	RCFL-H*3821(RGPT-07?BRQ?)	36,400 [10.7]	26,000 [7.6]	10,400 [3.0]	13.00	16.00	77	1,025 [484]
	RCFL-H*3821(RGPT-10?BRM?)	37,400 [11.0]	27,900 [8.2]	9,500 [2.8]	13.00	16.00	77	1,225 [578]
RCFL-H*3821(RGRM-04?MAE?)	36,000 [10.5]	25,600 [7.5]	10,400 [3.0]	12.50	15.10	77	1,025 [484]	
RCFL-H*3821(RGRM-06?MAE?)	36,000 [10.5]	25,500 [7.5]	10,500 [3.1]	12.50	15.10	77	1,000 [472]	
RCFL-H*3821(RGRM-07?MAE?)	35,800 [10.5]	25,400 [7.4]	10,400 [3.0]	12.00	14.50	77	1,025 [484]	
RCFL-H*3821(RGRM-07?YBG?)	36,200 [10.6]	26,000 [7.6]	10,200 [3.0]	12.50	15.10	77	1,050 [495]	
RCFL-H*3821(RGRM-09?ZAJ?)	36,600 [10.7]	26,400 [7.7]	10,200 [3.0]	13.00	15.50	77	1,075 [507]	
RCFL-H*3821(RGRM-10?ZAJ?)	36,200 [10.6]	25,800 [7.6]	10,400 [3.0]	13.00	15.50	77	1,025 [484]	
RCFL-H*3821(RGTM-06?MAE?)	36,400 [10.7]	26,200 [7.7]	10,200 [3.0]	13.00	15.50	77	1,075 [507]	
RCFL-H*3821(RGTM-07?RBG?)	36,800 [10.8]	26,600 [7.8]	10,200 [3.0]	13.00	16.00	77	1,050 [495]	
RCFL-H*3821(RGTM-09?ZAJ?)	36,600 [10.7]	26,400 [7.7]	10,200 [3.0]	13.00	16.00	77	1,100 [519]	
RCFL-H*3821(RHWP-04WMX36A)	36,600 [10.7]	26,400 [7.7]	10,200 [3.0]	13.00	15.50	77	1,075 [507]	

36

Ⓢ Highest sales volume tested combination required by D.O.E. test procedures.

[] Designates Metric Conversions

Performance Data @ AHRI Standard Conditions—Cooling (con't.)

Model Numbers		80°F [26.5°C] DB/67°F [19.5°C] WB Indoor Air 95°F [35°C] DB Outdoor Air					Sound Rating dB	Indoor CFM [L/s]
Outdoor Unit 14AJM	Indoor Coil and/or Air Handler	Total Capacity BTU/H [kW]	Net Sensible BTU/H [kW]	Net Latent BTU/H [kW]	EER	SEER		
Rev. 4/5/13	RCFN-H*3624(RGFE-10?ZCM?)	39,500 [11.6]	30,000 [8.8]	9,500 [2.8]	13.00	16.00	77	1,225 [578]
	RCFN-H*3624(RGFE-12?RCM?)	39,500 [11.6]	29,950 [8.8]	9,550 [2.8]	13.00	16.00	77	1,225 [578]
	RCFN-H*3624(RGFG-06NMCKS)	39,000 [11.4]	29,400 [8.6]	9,600 [2.8]	13.00	16.00	77	1,000 [472]
	RCFN-H*3624(RGFG-06EMCKS)	39,000 [11.4]	29,400 [8.6]	9,600 [2.8]	13.00	16.00	77	1,000 [472]
	RCFN-H*3624(RGFG-07EMCKS)	39,000 [11.4]	29,400 [8.6]	9,600 [2.8]	13.00	16.00	77	1,000 [472]
	RCFN-H*3624(RGFG-07NMCKS)	39,000 [11.4]	29,400 [8.6]	9,600 [2.8]	13.00	16.00	77	1,000 [472]
	RCFN-H*3624(RGFG-09NZCMS)	40,000 [11.7]	31,150 [9.1]	8,850 [2.6]	13.00	16.00	77	1,200 [566]
	RCFN-H*3624(RGFG-09EZCMS)	40,000 [11.7]	31,150 [9.1]	8,850 [2.6]	13.00	16.00	77	1,200 [566]
	RCFN-H*3624(RGFG-10EZCMS)	39,500 [11.6]	29,950 [8.8]	9,550 [2.8]	13.00	16.00	77	1,050 [495]
	RCFN-H*3624(RGFG-10NZCMS)	39,500 [11.6]	29,950 [8.8]	9,550 [2.8]	13.00	16.00	77	1,050 [495]
	RCFN-H*3624(RGFG-12NRCMS)	40,000 [11.7]	31,250 [9.2]	8,750 [2.6]	13.00	16.00	77	1,225 [578]
	RCFN-H*3624(RGFG-12ERCMS)	40,000 [11.7]	31,250 [9.2]	8,750 [2.6]	13.00	16.00	77	1,225 [578]
	RCFN-H*3624(RGGE-06?MCK?)	40,000 [11.7]	31,500 [9.2]	8,500 [2.5]	13.00	16.00	77	1,200 [566]
	RCFN-H*3624(RGGE-07?MCK?)	40,000 [11.7]	31,500 [9.2]	8,500 [2.5]	13.00	15.50	77	1,200 [566]
	RCFN-H*3624(RGGE-09?ZCM?)	39,500 [11.6]	29,950 [8.8]	9,550 [2.8]	13.00	16.00	77	1,225 [578]
	RCFN-H*3624(RGGE-10?ZCM?)	39,500 [11.6]	29,950 [8.8]	9,550 [2.8]	13.00	16.00	77	1,200 [566]
	RCFN-H*3624(RGGE-12?RCM?)	39,500 [11.6]	29,900 [8.8]	9,600 [2.8]	13.00	16.00	77	1,200 [566]
	RCFN-H*3624(RGJF-06?MCK?)	40,000 [11.7]	31,500 [9.2]	8,500 [2.5]	13.00	16.00	77	1,200 [566]
	RCFN-H*3624(RGJF-07?MCK?)	39,500 [11.6]	30,000 [8.8]	9,500 [2.8]	13.00	16.00	77	1,025 [484]
	RCFN-H*3624(RGJF-09?ZCM?)	40,500 [11.9]	32,100 [9.4]	8,400 [2.5]	13.00	16.00	77	1,225 [578]
	RCFN-H*3624(RGJF-10?ZCM?)	39,500 [11.6]	29,950 [8.8]	9,550 [2.8]	13.00	16.00	77	1,200 [566]
	RCFN-H*3624(RGJF-12?RCM?)	39,500 [11.6]	29,900 [8.8]	9,600 [2.8]	13.00	16.00	77	1,200 [566]
	RCFN-H*3624(RGLE-07?AMK?)	40,500 [11.9]	32,000 [9.4]	8,500 [2.5]	13.00	16.00	77	1,200 [566]
	RCFN-H*3624(RGLE-07?BRQ?)	40,500 [11.9]	32,100 [9.4]	8,400 [2.5]	13.00	16.00	77	1,225 [578]
	RCFN-H*3624(RGLE-10?BRM?)	39,500 [11.6]	29,900 [8.8]	9,600 [2.8]	13.00	16.00	77	1,200 [566]
	RCFN-H*3624(RGLE-12?ARM?)	39,500 [11.6]	29,900 [8.8]	9,600 [2.8]	13.00	16.00	77	1,225 [578]
	RCFN-H*3624(RGLT-07?AMK?)	40,000 [11.7]	31,200 [9.1]	8,800 [2.6]	13.00	16.00	77	1,150 [543]
	RCFN-H*3624(RGLT-07?BRQ?)	40,000 [11.7]	30,850 [9.0]	9,150 [2.7]	13.00	16.00	77	1,275 [602]
	RCFN-H*3624(RGLT-10?BRM?)	40,000 [11.7]	30,800 [9.0]	9,200 [2.7]	13.00	16.00	77	1,275 [602]
	RCFN-H*3624(RGLT-12?ARM?)	39,500 [11.6]	29,850 [8.7]	9,650 [2.8]	13.00	16.00	77	1,200 [566]
	RCFN-H*3624(RGPE-05?BMK?)	40,000 [11.7]	31,500 [9.2]	8,500 [2.5]	13.00	16.00	77	1,200 [566]
	RCFN-H*3624(RGPE-07?AMK?)	40,500 [11.9]	32,100 [9.4]	8,400 [2.5]	13.00	16.00	77	1,225 [578]
	RCFN-H*3624(RGPE-07?BRQ?)	39,500 [11.6]	29,900 [8.8]	9,600 [2.8]	13.00	16.00	77	1,225 [578]
	RCFN-H*3624(RGPE-10?BRM?)	39,500 [11.6]	29,900 [8.8]	9,600 [2.8]	13.00	16.00	77	1,225 [578]
	RCFN-H*3624(RGPE-12?ARM?)	39,500 [11.6]	29,900 [8.8]	9,600 [2.8]	13.00	16.00	77	1,200 [566]
	RCFN-H*3624(RGPT-05?BMK?)	40,000 [11.7]	31,100 [9.1]	8,900 [2.6]	13.00	16.00	77	1,125 [531]
	RCFN-H*3624(RGPT-07?AMK?)	40,000 [11.7]	31,100 [9.1]	8,900 [2.6]	13.00	16.00	77	1,125 [531]
	RCFN-H*3624(RGPT-07?BRQ?)	40,000 [11.7]	31,100 [9.1]	8,900 [2.6]	13.00	16.00	77	1,275 [602]
	RCFN-H*3624(RGPT-10?BRM?)	40,000 [11.7]	30,700 [9.0]	9,300 [2.7]	13.00	16.00	77	1,250 [590]
	RCFN-H*3624(RGPT-12?ARM?)	39,500 [11.6]	29,900 [8.8]	9,600 [2.8]	13.00	16.00	77	1,200 [566]
RCFN-H*3624(RGRM-04?MAE?)	40,000 [11.7]	31,500 [9.2]	8,500 [2.5]	12.50	15.10	77	1,200 [566]	
RCFN-H*3624(RGRM-06?MAE?)	39,500 [11.6]	30,800 [9.0]	8,700 [2.5]	12.50	15.10	77	1,175 [554]	
RCFN-H*3624(RGRM-07?MAE?)	39,500 [11.6]	31,100 [9.1]	8,400 [2.5]	12.00	14.50	77	1,225 [578]	
RCFN-H*3624(RGRM-07?YBG?)	40,000 [11.7]	31,500 [9.2]	8,500 [2.5]	12.50	15.10	77	1,200 [566]	
RCFN-H*3624(RGRM-09?ZAJ?)	39,000 [11.4]	29,500 [8.6]	9,500 [2.8]	13.00	16.00	77	1,225 [578]	
RCFN-H*3624(RGRM-10?ZAJ?)	39,000 [11.4]	29,200 [8.6]	9,800 [2.9]	13.00	16.00	77	1,150 [543]	
RCFN-H*3624(RGRM-12?RAJ?)	39,500 [11.6]	29,950 [8.8]	9,550 [2.8]	13.00	16.00	77	1,225 [578]	
RCFN-H*3624(RGTM-06?MAE?)	40,000 [11.7]	31,600 [9.3]	8,400 [2.5]	13.00	15.50	77	1,225 [578]	
RCFN-H*3624(RGTM-07?RBG?)	40,000 [11.7]	31,100 [9.1]	8,900 [2.6]	13.00	16.00	77	1,125 [531]	
RCFN-H*3624(RGTM-09?ZAJ?)	40,500 [11.9]	32,100 [9.4]	8,400 [2.5]	13.00	16.00	77	1,225 [578]	

36

① Highest sales volume tested combination required by D.O.E. test procedures.

[] Designates Metric Conversions

Performance Data @ AHRI Standard Conditions—Cooling (con't.)

Model Numbers		80°F [26.5°C] DB/67°F [19.5°C] WB Indoor Air 95°F [35°C] DB Outdoor Air					Sound Rating dB	Indoor CFM [L/s]
Outdoor Unit 14AJM	Indoor Coil and/or Air Handler	Total Capacity BTU/H [kW]	Net Sensible BTU/H [kW]	Net Latent BTU/H [kW]	EER	SEER		
Rev. 4/5/13	RCFN-H*3624(RGTM-10?RBJ?)	40,500 [11.9]	32,100 [9.4]	8,400 [2.5]	13.00	16.00	77	1,225 [578]
	RCFN-H*3624(RHWP-04WMX36A)	39,500 [11.6]	30,300 [8.9]	9,200 [2.7]	13.00	16.00	77	1,075 [507]
36	RCFN-H*3624(RHWP-06WMX48A)	40,500 [11.9]	32,200 [9.4]	8,300 [2.4]	13.00	16.00	77	1,250 [590]
	RCFN-H*3624(ROCA-070E03)	39,500 [11.6]	29,950 [8.8]	9,550 [2.8]	13.00	16.00	77	1,200 [566]
	RCFN-H*3624(ROCA-070E04)	39,500 [11.6]	29,950 [8.8]	9,550 [2.8]	13.00	16.00	77	1,200 [566]
	RCFN-H*3624(ROLA-070E03)	39,500 [11.6]	29,950 [8.8]	9,550 [2.8]	13.00	16.00	77	1,175 [554]
	RCFN-H*3624(ROLA-070E04)	39,500 [11.6]	29,950 [8.8]	9,550 [2.8]	13.00	16.00	77	1,175 [554]
	RCFN-H*3624(ROLA-115E05)	39,500 [11.6]	29,900 [8.8]	9,600 [2.8]	13.00	16.00	77	1,200 [566]
	RCFN-H*3624+RXMD-C04	38,500 [11.3]	29,150 [8.5]	9,350 [2.7]	12.50	15.00	77	1,200 [566]
	RBHP-21(RCHL-36A1)	35,800 [10.5]	24,850 [7.3]	10,950 [3.2]	12.50	15.00	77	1,200 [566]
	RCQD-3621(RGFE-06?MCK?)	37,000 [10.8]	27,200 [8.0]	9,800 [2.9]	12.50	15.00	77	1,200 [566]
	RCQD-3621(RGFE-07?MCK?)	37,600 [11.0]	28,800 [8.4]	8,800 [2.6]	13.00	15.50	77	1,025 [484]
	RCQD-3621(RGFE-09?ZCM?)	37,400 [11.0]	27,500 [8.1]	9,900 [2.9]	13.00	15.50	77	1,200 [566]
	RCQD-3621(RGFE-10?ZCM?)	37,400 [11.0]	27,500 [8.1]	9,900 [2.9]	13.00	15.50	77	1,225 [578]
	RCQD-3621(RGFG-06NMCKS)	37,600 [11.0]	28,400 [8.3]	9,200 [2.7]	12.50	15.10	77	1,200 [566]
	RCQD-3621(RGFG-06EMCKS)	37,600 [11.0]	28,400 [8.3]	9,200 [2.7]	12.50	15.10	77	1,200 [566]
	RCQD-3621(RGFG-07EMCKS)	37,800 [11.1]	28,750 [8.4]	9,050 [2.7]	12.50	15.00	77	1,225 [578]
	RCQD-3621(RGFG-07NMCKS)	37,800 [11.1]	28,750 [8.4]	9,050 [2.7]	12.50	15.00	77	1,225 [578]
	RCQD-3621(RGFG-09NZCMS)	38,000 [11.1]	28,700 [8.4]	9,300 [2.7]	13.00	16.00	77	1,200 [566]
	RCQD-3621(RGFG-09EZCMS)	38,000 [11.1]	28,700 [8.4]	9,300 [2.7]	13.00	16.00	77	1,200 [566]
	RCQD-3621(RGFG-10EZCMS)	38,000 [11.1]	28,700 [8.4]	9,300 [2.7]	13.00	15.50	77	1,200 [566]
	RCQD-3621(RGFG-10NZCMS)	38,000 [11.1]	28,700 [8.4]	9,300 [2.7]	13.00	15.50	77	1,200 [566]
	RCQD-3621(RGJF-06?MCK?)	37,400 [11.0]	27,550 [8.1]	9,850 [2.9]	12.50	15.00	77	1,200 [566]
	RCQD-3621(RGJF-07?MCK?)	37,200 [10.9]	27,350 [8.0]	9,850 [2.9]	12.50	15.00	77	1,200 [566]
	RCQD-3621(RGJF-09?ZCM?)	37,600 [11.0]	27,650 [8.1]	9,950 [2.9]	13.00	16.00	77	1,225 [578]
	RCQD-3621(RGJF-10?ZCM?)	37,600 [11.0]	27,700 [8.1]	9,900 [2.9]	13.00	15.50	77	1,200 [566]
	RCQD-3621(RGPE-05?BMK?)	37,200 [10.9]	27,350 [8.0]	9,850 [2.9]	12.50	15.00	77	1,200 [566]
	RCQD-3621(RGPE-07?AMK?)	37,400 [11.0]	27,500 [8.1]	9,900 [2.9]	12.50	15.00	77	1,225 [578]
	RCQD-3621(RGPE-07?BRQ?)	37,000 [10.8]	26,300 [7.7]	10,700 [3.1]	13.00	16.00	77	1,050 [495]
	RCQD-3621(RGPE-10?BRM?)	37,200 [10.9]	26,600 [7.8]	10,600 [3.1]	13.00	16.00	77	1,075 [507]
	RCQD-3621(RGPT-05?BMK?)	37,000 [10.8]	26,600 [7.8]	10,400 [3.0]	12.50	15.10	77	1,100 [519]
	RCQD-3621(RGPT-07?AMK?)	37,000 [10.8]	26,600 [7.8]	10,400 [3.0]	13.00	15.50	77	1,100 [519]
	RCQD-3621(RGPT-07?BRQ?)	37,200 [10.9]	26,450 [7.7]	10,750 [3.1]	13.00	16.00	77	1,050 [495]
	RCQD-3621(RGPT-10?BRM?)	37,800 [11.1]	28,100 [8.2]	9,700 [2.8]	13.00	16.00	77	1,050 [495]
	RCQD-3621(RGRM-04?MAE?)	37,400 [11.0]	28,600 [8.4]	8,800 [2.6]	13.00	15.50	77	1,025 [484]
	RCQD-3621(RGRM-06?MAE?)	37,400 [11.0]	28,500 [8.4]	8,900 [2.6]	13.00	15.50	77	1,000 [472]
	RCQD-3621(RGRM-07?MAE?)	37,200 [10.9]	28,400 [8.3]	8,800 [2.6]	12.50	15.10	77	1,025 [484]
	RCQD-3621(RGRM-07?YBG?)	36,600 [10.7]	26,000 [7.6]	10,600 [3.1]	12.50	15.00	77	1,050 [495]
RCQD-3621(RGRM-09?ZAJ?)	37,000 [10.8]	26,450 [7.7]	10,550 [3.1]	13.00	15.50	77	1,075 [507]	
RCQD-3621(RGRM-10?ZAJ?)	37,200 [10.9]	27,050 [7.9]	10,150 [3.0]	13.00	15.50	77	1,150 [543]	
RCQD-3621(RGTM-06?MAE?)	37,600 [11.0]	28,800 [8.4]	8,800 [2.6]	13.00	16.00	77	1,025 [484]	
RCQD-3621(RGTM-07?RBG?)	38,500 [11.3]	30,200 [8.8]	8,300 [2.4]	13.00	16.00	77	1,125 [531]	
RCQD-3621(RGTM-09?ZAJ?)	38,000 [11.1]	29,500 [8.6]	8,500 [2.5]	13.00	16.00	77	1,100 [519]	
RCQD-3621(RHWP-04WMX36A)	38,000 [11.1]	30,100 [8.8]	7,900 [2.3]	13.00	15.50	77	1,200 [566]	
RCQD-3621(RHWP-06WMX48A)	38,000 [11.1]	30,200 [8.8]	7,800 [2.3]	13.00	15.50	77	1,225 [578]	
RCQD-3621(ROCA-070E03)	37,400 [11.0]	27,500 [8.1]	9,900 [2.9]	12.50	15.10	77	1,200 [566]	
RCQD-3621(ROCA-070E04)	37,400 [11.0]	27,500 [8.1]	9,900 [2.9]	12.50	15.10	77	1,200 [566]	
RCQD-3621(ROLA-070E03)	37,600 [11.0]	27,650 [8.1]	9,950 [2.9]	13.00	15.50	77	1,175 [554]	
RCQD-3621(ROLA-070E04)	37,600 [11.0]	27,650 [8.1]	9,950 [2.9]	13.00	15.50	77	1,175 [554]	
RCQD-3621(ROLA-115E05)	37,600 [11.0]	27,650 [8.1]	9,950 [2.9]	13.00	16.00	77	1,200 [566]	

① Highest sales volume tested combination required by D.O.E. test procedures.

[] Designates Metric Conversions

Performance Data @ AHRI Standard Conditions—Cooling (con't.)

Model Numbers		80°F [26.5°C] DB/67°F [19.5°C] WB Indoor Air 95°F [35°C] DB Outdoor Air					Sound Rating dB	Indoor CFM [L/s]
Outdoor Unit 14AJM	Indoor Coil and/or Air Handler	Total Capacity BTU/H [kW]	Net Sensible BTU/H [kW]	Net Latent BTU/H [kW]	EER	SEER		
Rev. 4/5/13	RCQD-3621+RXMD-C04	36,800 [10.8]	27,100 [7.9]	9,700 [2.8]	12.00	14.50	77	1,200 [566]
	RBHM-24J(RCQD-3624)	38,500 [11.3]	30,500 [8.9]	8,000 [2.3]	13.00	16.00	77	1,175 [554]
	RCQD-3624(RGFE-09?ZCM?)	37,600 [11.0]	27,650 [8.1]	9,950 [2.9]	13.00	15.50	77	1,200 [566]
	RCQD-3624(RGFE-10?ZCM?)	37,400 [11.0]	27,500 [8.1]	9,900 [2.9]	13.00	15.50	77	1,225 [578]
	RCQD-3624(RGFE-12?RCM?)	37,600 [11.0]	27,650 [8.1]	9,950 [2.9]	13.00	16.00	77	1,225 [578]
	RCQD-3624(RGFG-09NZCMS)	38,000 [11.1]	28,700 [8.4]	9,300 [2.7]	13.00	16.00	77	1,200 [566]
	RCQD-3624(RGFG-09EZCMS)	38,000 [11.1]	28,700 [8.4]	9,300 [2.7]	13.00	16.00	77	1,200 [566]
	RCQD-3624(RGFG-10EZCMS)	38,000 [11.1]	28,700 [8.4]	9,300 [2.7]	13.00	16.00	77	1,200 [566]
	RCQD-3624(RGFG-10NZCMS)	38,000 [11.1]	28,700 [8.4]	9,300 [2.7]	13.00	16.00	77	1,200 [566]
	RCQD-3624(RGFG-12NRCMS)	38,500 [11.3]	29,300 [8.6]	9,200 [2.7]	13.00	16.00	77	1,225 [578]
	RCQD-3624(RGFG-12ERCMS)	38,500 [11.3]	29,300 [8.6]	9,200 [2.7]	13.00	16.00	77	1,225 [578]
	RCQD-3624(RGJF-09?ZCM?)	37,600 [11.0]	27,650 [8.1]	9,950 [2.9]	13.00	16.00	77	1,225 [578]
	RCQD-3624(RGJF-10?ZCM?)	37,600 [11.0]	27,650 [8.1]	9,950 [2.9]	13.00	15.50	77	1,200 [566]
	RCQD-3624(RGJF-12?RCM?)	37,800 [11.1]	27,800 [8.1]	10,000 [2.9]	13.00	16.00	77	1,200 [566]
	RCQD-3624(RGPE-07?BRQ?)	37,000 [10.8]	26,250 [7.7]	10,750 [3.1]	13.00	16.00	77	1,050 [495]
	RCQD-3624(RGPE-10?BRM?)	37,200 [10.9]	26,600 [7.8]	10,600 [3.1]	13.00	16.00	77	1,075 [507]
	RCQD-3624(RGPE-12?ARM?)	37,200 [10.9]	26,550 [7.8]	10,650 [3.1]	13.00	16.00	77	1,075 [507]
	RCQD-3624(RGPT-07?BRQ?)	37,200 [10.9]	26,450 [7.7]	10,750 [3.1]	13.00	16.00	77	1,050 [495]
	RCQD-3624(RGPT-10?BRM?)	37,200 [10.9]	26,550 [7.8]	10,650 [3.1]	13.00	16.00	77	1,075 [507]
	RCQD-3624(RGPT-12?ARM?)	37,800 [11.1]	27,800 [8.1]	10,000 [2.9]	13.00	16.00	77	1,225 [578]
	RCQD-3624(RGRM-07?YBG?)	36,600 [10.7]	26,000 [7.6]	10,600 [3.1]	12.50	15.00	77	1,050 [495]
	RCQD-3624(RGRM-09?ZAJ?)	37,000 [10.8]	26,450 [7.7]	10,550 [3.1]	13.00	16.00	77	1,075 [507]
	RCQD-3624(RGRM-10?ZAJ?)	37,200 [10.9]	27,050 [7.9]	10,150 [3.0]	13.00	15.50	77	1,150 [543]
	RCQD-3624(RGRM-12?RAJ?)	37,000 [10.8]	26,400 [7.7]	10,600 [3.1]	13.00	16.00	77	1,075 [507]
	RCQD-3624(RGTM-07?RBG?)	38,500 [11.3]	30,200 [8.8]	8,300 [2.4]	13.00	16.00	77	1,125 [531]
	RCQD-3624(RGTM-09?ZAJ?)	38,000 [11.1]	29,500 [8.6]	8,500 [2.5]	13.00	16.00	77	1,100 [519]
	RCQD-3624(RGTM-10?RBJ?)	38,500 [11.3]	30,200 [8.8]	8,300 [2.4]	13.00	16.00	77	1,125 [531]
	RCQD-3624(ROCA-070E03)	37,400 [11.0]	27,500 [8.1]	9,900 [2.9]	13.00	15.50	77	1,200 [566]
	RCQD-3624(ROCA-070E04)	37,400 [11.0]	27,500 [8.1]	9,900 [2.9]	13.00	15.50	77	1,200 [566]
	RCQD-3624(ROLA-070E03)	37,600 [11.0]	27,650 [8.1]	9,950 [2.9]	13.00	16.00	77	1,175 [554]
	RCQD-3624(ROLA-070E04)	37,600 [11.0]	27,650 [8.1]	9,950 [2.9]	13.00	16.00	77	1,175 [554]
	RCQD-3624(ROLA-115E05)	37,800 [11.1]	27,800 [8.1]	10,000 [2.9]	13.00	16.00	77	1,200 [566]
	RCQD-3624+RXMD-C04	36,800 [10.8]	27,100 [7.9]	9,700 [2.8]	12.00	14.50	77	1,200 [566]
	RHKL-HM3617(RCSL-H*3617)	36,200 [10.6]	26,100 [7.6]	10,100 [3.0]	12.50	15.00	77	1,225 [578]
	RHLL-HM3617(RCSL-H*3617)	36,200 [10.6]	25,950 [7.6]	10,250 [3.0]	13.00	15.50	77	1,200 [566]
	RHSL-HM3617(RCSL-H*3617)	35,000 [10.3]	24,350 [7.1]	10,650 [3.1]	12.00	14.50	77	1,100 [519]
RHSL-HM3621(RCSL-H*3621)	35,000 [10.3]	24,350 [7.1]	10,650 [3.1]	12.00	14.50	77	1,100 [519]	
RHKL-HM3821(RCSL-H*3821)	37,400 [11.0]	27,800 [8.1]	9,600 [2.8]	13.00	16.00	77	1,200 [566]	
RHLL-HM3821(RCSL-H*3821)	37,600 [11.0]	27,250 [8.0]	10,350 [3.0]	13.00	16.00	77	1,175 [554]	
RHPN-HM3624(RCSN-H*3624)	39,500 [11.6]	29,850 [8.7]	9,650 [2.8]	13.00	16.00	77	1,200 [566]	
42	RCFL-H*4821+RXMD-C04 ①	40,500 [11.9]	29,750 [8.7]	10,750 [3.1]	12.00	14.50	77	1,425 [672]
	RCFL-A*4821(RGFE-09?ZCM?)	40,000 [11.7]	27,950 [8.2]	12,050 [3.5]	12.50	15.10	77	1,200 [566]
	RCFL-A*4821(RGFE-10?ZCM?)	40,000 [11.7]	28,100 [8.2]	11,900 [3.5]	12.50	15.10	77	1,225 [578]
	RCFL-A*4821(RGFG-09EZCMS)	40,000 [11.7]	27,800 [8.1]	12,200 [3.6]	12.50	15.10	77	1,200 [566]
	RCFL-A*4821(RGFG-09NZCMS)	40,000 [11.7]	27,800 [8.1]	12,200 [3.6]	12.50	15.10	77	1,200 [566]
	RCFL-A*4821(RGFG-10EZCMS)	40,000 [11.7]	27,800 [8.1]	12,200 [3.6]	12.50	15.00	77	1,200 [566]
	RCFL-A*4821(RGFG-10NZCMS)	40,000 [11.7]	27,800 [8.1]	12,200 [3.6]	12.50	15.00	77	1,200 [566]
	RCFL-A*4821(RGGE-06?MCK?)	39,500 [11.6]	27,500 [8.1]	12,000 [3.5]	12.00	14.50	77	1,200 [566]
	RCFL-A*4821(RGGE-07?MCK?)	39,500 [11.6]	27,500 [8.1]	12,000 [3.5]	12.00	14.50	77	1,200 [566]
	RCFL-A*4821(RGGE-09?ZCM?)	40,000 [11.7]	28,050 [8.2]	11,950 [3.5]	12.50	15.10	77	1,225 [578]

① Highest sales volume tested combination required by D.O.E. test procedures.

[] Designates Metric Conversions

Performance Data @ AHRI Standard Conditions—Cooling (con't.)

Model Numbers		80°F [26.5°C] DB/67°F [19.5°C] WB Indoor Air 95°F [35°C] DB Outdoor Air					Sound Rating dB	Indoor CFM [L/s]	
Outdoor Unit 14AJM	Indoor Coil and/or Air Handler	Total Capacity BTU/H [kW]	Net Sensible BTU/H [kW]	Net Latent BTU/H [kW]	EER	SEER			
42	Rev. 4/5/13	RCFL-A*4821(RGGE-10?ZCM?)	40,000 [11.7]	27,950 [8.2]	12,050 [3.5]	12.50	15.10	77	1,200 [566]
		RCFL-A*4821(RGLE-07?AMK?)	40,000 [11.7]	27,950 [8.2]	12,050 [3.5]	12.50	15.00	77	1,200 [566]
		RCFL-A*4821(RGLE-07?BRQ?)	40,000 [11.7]	28,200 [8.3]	11,800 [3.5]	12.50	15.50	77	1,225 [578]
		RCFL-A*4821(RGLE-10?BRM?)	40,000 [11.7]	27,850 [8.2]	12,150 [3.6]	13.00	15.50	77	1,200 [566]
		RCFL-A*4821(RGLT-07?AMK?)	40,500 [11.9]	29,200 [8.6]	11,300 [3.3]	12.00	14.50	77	1,325 [625]
		RCFL-A*4821(RGLT-07?BRQ?)	40,000 [11.7]	28,150 [8.2]	11,850 [3.5]	12.50	15.50	77	1,250 [590]
		RCFL-A*4821(RGLT-10?BRM?)	40,500 [11.9]	28,650 [8.4]	11,850 [3.5]	13.00	15.50	77	1,250 [590]
		RCFL-A*4821(RGPE-05?BMK?)	39,500 [11.6]	27,500 [8.1]	12,000 [3.5]	12.00	14.50	77	1,200 [566]
		RCFL-A*4821(RGPE-07?AMK?)	40,000 [11.7]	28,100 [8.2]	11,900 [3.5]	12.50	14.50	77	1,225 [578]
		RCFL-A*4821(RGPE-07?BRQ?)	40,000 [11.7]	28,000 [8.2]	12,000 [3.5]	13.00	15.50	77	1,225 [578]
		RCFL-A*4821(RGPE-10?BRM?)	40,000 [11.7]	28,000 [8.2]	12,000 [3.5]	13.00	15.50	77	1,225 [578]
		RCFL-A*4821(RGPT-05?BMK?)	39,500 [11.6]	27,650 [8.1]	11,850 [3.5]	12.00	14.50	77	1,225 [578]
		RCFL-A*4821(RGPT-07?AMK?)	40,000 [11.7]	28,250 [8.3]	11,750 [3.4]	12.00	14.50	77	1,250 [590]
		RCFL-A*4821(RGPT-07?BRQ?)	40,500 [11.9]	28,600 [8.4]	11,900 [3.5]	13.00	15.50	77	1,250 [590]
		RCFL-A*4821(RGPT-10?BRM?)	40,000 [11.7]	28,000 [8.2]	12,000 [3.5]	13.00	15.50	77	1,225 [578]
		RCFL-A*4821(RGRM-09?ZAJ?)	40,000 [11.7]	28,200 [8.3]	11,800 [3.5]	12.00	14.50	77	1,225 [578]
		RCFL-A*4821(RGRM-10?ZAJ?)	39,500 [11.6]	27,300 [8.0]	12,200 [3.6]	12.50	15.00	77	1,150 [543]
		RCFL-A*4821(RGTM-06?MAE?)	39,500 [11.6]	27,700 [8.1]	11,800 [3.5]	12.00	14.50	77	1,225 [578]
		RCFL-A*4821(RGTM-07?RBG?)	40,500 [11.9]	29,200 [8.6]	11,300 [3.3]	12.50	15.10	77	1,325 [625]
		RCFL-A*4821(RGTM-09?ZAJ?)	40,000 [11.7]	28,300 [8.3]	11,700 [3.4]	12.50	15.10	77	1,250 [590]
		RCFL-A*4821(RHWB-04WMMX36A)	39,500 [11.6]	27,400 [8.0]	12,100 [3.5]	12.50	15.10	77	1,175 [554]
		RCFL-A*4821(RHWB-06WMMX48A)	40,000 [11.7]	28,700 [8.4]	11,300 [3.3]	12.00	14.50	77	1,325 [625]
		RCFL-A*4821(ROCA-070E03)	40,000 [11.7]	27,950 [8.2]	12,050 [3.5]	12.50	15.00	77	1,200 [566]
		RCFL-A*4821(ROCA-070E04)	40,000 [11.7]	27,950 [8.2]	12,050 [3.5]	12.50	15.00	77	1,200 [566]
		RCFL-A*4821(ROLA-070E03)	40,000 [11.7]	27,750 [8.1]	12,250 [3.6]	12.50	15.00	77	1,175 [554]
		RCFL-A*4821(ROLA-070E04)	40,500 [11.9]	29,400 [8.6]	11,100 [3.3]	12.50	15.00	77	1,375 [649]
		RCFL-A*4821(ROLA-115E05)	40,000 [11.7]	27,850 [8.2]	12,150 [3.6]	13.00	15.50	77	1,200 [566]
		RCFL-A*4821+RXMD-C04	40,500 [11.9]	29,600 [8.7]	10,700 [3.1]	12.00	14.50	77	1,425 [672]
		RCFL-A*4824(RGFE-09?ZCM?)	40,000 [11.7]	27,950 [8.2]	12,050 [3.5]	12.50	15.10	77	1,200 [566]
		RCFL-A*4824(RGFE-10?ZCM?)	40,000 [11.7]	28,100 [8.2]	11,900 [3.5]	12.50	15.10	77	1,225 [578]
		RCFL-A*4824(RGFE-12?RCM?)	40,000 [11.7]	28,000 [8.2]	12,000 [3.5]	12.50	15.10	77	1,225 [578]
		RCFL-A*4824(RGFG-09EZCMS)	40,000 [11.7]	27,800 [8.1]	12,200 [3.6]	12.50	15.10	77	1,200 [566]
		RCFL-A*4824(RGFG-09NZCMS)	40,000 [11.7]	27,800 [8.1]	12,200 [3.6]	12.50	15.10	77	1,200 [566]
		RCFL-A*4824(RGFG-10EZCMS)	40,000 [11.7]	27,800 [8.1]	12,200 [3.6]	12.50	15.00	77	1,200 [566]
		RCFL-A*4824(RGFG-10NZCMS)	40,000 [11.7]	27,800 [8.1]	12,200 [3.6]	12.50	15.00	77	1,200 [566]
		RCFL-A*4824(RGFG-12ERCMS)	40,000 [11.7]	28,200 [8.3]	11,800 [3.5]	12.50	15.10	77	1,225 [578]
		RCFL-A*4824(RGFG-12NRCMS)	40,000 [11.7]	28,200 [8.3]	11,800 [3.5]	12.50	15.10	77	1,225 [578]
		RCFL-A*4824(RGGE-09?ZCM?)	40,000 [11.7]	28,050 [8.2]	11,950 [3.5]	12.50	15.10	77	1,225 [578]
		RCFL-A*4824(RGGE-10?ZCM?)	40,000 [11.7]	27,950 [8.2]	12,050 [3.5]	12.50	15.10	77	1,200 [566]
		RCFL-A*4824(RGGE-12?RCM?)	40,000 [11.7]	27,850 [8.2]	12,150 [3.6]	13.00	15.50	77	1,200 [566]
		RCFL-A*4824(RGLE-07?BRQ?)	40,000 [11.7]	28,200 [8.3]	11,800 [3.5]	12.50	15.50	77	1,225 [578]
		RCFL-A*4824(RGLE-10?BRM?)	40,000 [11.7]	27,850 [8.2]	12,150 [3.6]	13.00	15.50	77	1,200 [566]
	RCFL-A*4824(RGLE-12?ARM?)	40,000 [11.7]	28,000 [8.2]	12,000 [3.5]	13.00	15.50	77	1,225 [578]	
	RCFL-A*4824(RGLT-07?BRQ?)	40,000 [11.7]	28,150 [8.2]	11,850 [3.5]	12.50	15.50	77	1,250 [590]	
	RCFL-A*4824(RGLT-10?BRM?)	40,500 [11.9]	28,650 [8.4]	11,850 [3.5]	12.50	15.50	77	1,250 [590]	
	RCFL-A*4824(RGLT-12?ARM?)	41,000 [12.0]	29,850 [8.7]	11,150 [3.3]	12.50	15.50	77	1,375 [649]	
	RCFL-A*4824(RGPE-07?BRQ?)	40,000 [11.7]	28,000 [8.2]	12,000 [3.5]	13.00	15.50	77	1,225 [578]	
	RCFL-A*4824(RGPE-10?BRM?)	40,000 [11.7]	28,000 [8.2]	12,000 [3.5]	13.00	15.50	77	1,225 [578]	
	RCFL-A*4824(RGPE-12?ARM?)	40,000 [11.7]	27,850 [8.2]	12,150 [3.6]	13.00	15.50	77	1,200 [566]	
	RCFL-A*4824(RGPT-07?BRQ?)	40,000 [11.7]	28,000 [8.2]	12,000 [3.5]	13.00	15.50	77	1,225 [578]	

① Highest sales volume tested combination required by D.O.E. test procedures.

[] Designates Metric Conversions

Performance Data @ AHRI Standard Conditions—Cooling (con't.)

Model Numbers		80°F [26.5°C] DB/67°F [19.5°C] WB Indoor Air 95°F [35°C] DB Outdoor Air					Sound Rating dB	Indoor CFM [L/s]
Outdoor Unit 14AJM	Indoor Coil and/or Air Handler	Total Capacity BTU/H [kW]	Net Sensible BTU/H [kW]	Net Latent BTU/H [kW]	EER	SEER		
Rev. 4/5/13	RCFL-A*4824(RGPT-10?BRM?)	40,000 [11.7]	28,000 [8.2]	12,000 [3.5]	13.00	15.50	77	1,225 [578]
	RCFL-A*4824(RGPT-12?ARM?)	41,000 [12.0]	29,850 [8.7]	11,150 [3.3]	13.00	15.50	77	1,375 [649]
	RCFL-A*4824(RGRM-09?ZAJ?)	40,000 [11.7]	28,200 [8.3]	11,800 [3.5]	12.00	14.50	77	1,225 [578]
	RCFL-A*4824(RGRM-10?ZAJ?)	39,500 [11.6]	27,300 [8.0]	12,200 [3.6]	12.50	15.00	77	1,150 [543]
	RCFL-A*4824(RGRM-12?RAJ?)	40,000 [11.7]	28,200 [8.3]	11,800 [3.5]	12.50	15.10	77	1,225 [578]
	RCFL-A*4824(RGTM-07?RBG?)	39,500 [11.6]	27,000 [7.9]	12,500 [3.7]	12.50	15.50	77	1,125 [531]
	RCFL-A*4824(RGTM-09?ZAJ?)	40,000 [11.7]	28,200 [8.3]	11,800 [3.5]	12.50	15.10	77	1,250 [590]
	RCFL-A*4824(RGTM-10?RBJ?)	39,500 [11.6]	26,950 [7.9]	12,550 [3.7]	13.00	15.50	77	1,125 [531]
	RCFL-A*4824(RHWP-08WRX60A)	40,500 [11.9]	29,300 [8.6]	11,200 [3.3]	13.00	15.50	77	1,350 [637]
	RCFL-A*4824(RHWP-10WRX60A)	41,000 [12.0]	30,300 [8.9]	10,700 [3.1]	13.00	15.50	77	1,400 [661]
	RCFL-A*4824(ROCA-070E03)	40,000 [11.7]	27,950 [8.2]	12,050 [3.5]	12.50	15.00	77	1,200 [566]
	RCFL-A*4824(ROCA-070E04)	40,000 [11.7]	27,950 [8.2]	12,050 [3.5]	12.50	15.00	77	1,200 [566]
	RCFL-A*4824(ROLA-070E03)	40,000 [11.7]	27,750 [8.1]	12,250 [3.6]	12.50	15.00	77	1,175 [554]
	RCFL-A*4824(ROLA-070E04)	40,500 [11.9]	29,400 [8.6]	11,100 [3.3]	12.50	15.00	77	1,375 [649]
	RCFL-A*4824(ROLA-115E05)	40,500 [11.9]	29,700 [8.7]	10,800 [3.2]	12.50	15.00	77	1,400 [661]
	RCFL-A*4824+RXMD-C04	40,500 [11.9]	29,600 [8.7]	10,700 [3.1]	12.00	14.50	77	1,425 [672]
	RCFL-H*4821(RGFE-09?ZCM?)	40,000 [11.7]	27,950 [8.2]	12,050 [3.5]	12.50	15.10	77	1,200 [566]
	RCFL-H*4821(RGFE-10?ZCM?)	40,000 [11.7]	28,100 [8.2]	11,900 [3.5]	12.50	15.10	77	1,225 [578]
	RCFL-H*4821(RGFG-09EZCMS)	40,000 [11.7]	27,800 [8.1]	12,200 [3.6]	12.50	15.10	77	1,200 [566]
	RCFL-H*4821(RGFG-09NZCMS)	40,000 [11.7]	27,800 [8.1]	12,200 [3.6]	12.50	15.10	77	1,200 [566]
	RCFL-H*4821(RGFG-10EZCMS)	40,000 [11.7]	27,800 [8.1]	12,200 [3.6]	12.50	15.00	77	1,200 [566]
	RCFL-H*4821(RGFG-10NZCMS)	40,000 [11.7]	27,800 [8.1]	12,200 [3.6]	12.50	15.00	77	1,200 [566]
	RCFL-H*4821(RGGE-06?MCK?)	39,500 [11.6]	27,500 [8.1]	12,000 [3.5]	12.00	14.50	77	1,200 [566]
	RCFL-H*4821(RGGE-07?MCK?)	39,500 [11.6]	27,500 [8.1]	12,000 [3.5]	12.00	14.50	77	1,200 [566]
	RCFL-H*4821(RGGE-09?ZCM?)	40,000 [11.7]	28,050 [8.2]	11,950 [3.5]	12.50	15.10	77	1,225 [578]
	RCFL-H*4821(RGGE-10?ZCM?)	40,000 [11.7]	27,950 [8.2]	12,050 [3.5]	12.50	15.10	77	1,200 [566]
	RCFL-H*4821(RGJF-06?MCK?)	39,500 [11.6]	27,500 [8.1]	12,000 [3.5]	12.00	14.50	77	1,200 [566]
	RCFL-H*4821(RGJF-07?MCK?)	39,500 [11.6]	27,500 [8.1]	12,000 [3.5]	12.00	14.50	77	1,200 [566]
	RCFL-H*4821(RGJF-09?ZCM?)	40,000 [11.7]	28,050 [8.2]	11,950 [3.5]	12.50	15.10	77	1,225 [578]
	RCFL-H*4821(RGJF-10?ZCM?)	40,000 [11.7]	27,900 [8.2]	12,100 [3.5]	12.50	15.10	77	1,200 [566]
	RCFL-H*4821(RGLE-07?AMK?)	40,000 [11.7]	27,950 [8.2]	12,050 [3.5]	12.50	15.00	77	1,200 [566]
	RCFL-H*4821(RGLE-07?BRQ?)	40,000 [11.7]	28,200 [8.3]	11,800 [3.5]	12.50	15.50	77	1,225 [578]
	RCFL-H*4821(RGLE-10?BRM?)	40,000 [11.7]	27,850 [8.2]	12,150 [3.6]	13.00	15.50	77	1,200 [566]
	RCFL-H*4821(RGLT-07?AMK?)	40,000 [11.7]	28,850 [8.5]	11,150 [3.3]	12.00	14.50	77	1,350 [637]
	RCFL-H*4821(RGLT-07?BRQ?)	40,000 [11.7]	28,150 [8.2]	11,850 [3.5]	12.50	15.50	77	1,250 [590]
	RCFL-H*4821(RGLT-10?BRM?)	40,500 [11.9]	28,650 [8.4]	11,850 [3.5]	13.00	15.50	77	1,250 [590]
	RCFL-H*4821(RGPE-05?BMK?)	39,500 [11.6]	27,500 [8.1]	12,000 [3.5]	12.00	14.50	77	1,200 [566]
	RCFL-H*4821(RGPE-07?AMK?)	40,000 [11.7]	28,100 [8.2]	11,900 [3.5]	12.50	14.50	77	1,225 [578]
	RCFL-H*4821(RGPE-07?BRQ?)	40,000 [11.7]	28,000 [8.2]	12,000 [3.5]	13.00	15.50	77	1,225 [578]
	RCFL-H*4821(RGPE-10?BRM?)	40,000 [11.7]	28,000 [8.2]	12,000 [3.5]	13.00	15.50	77	1,225 [578]
	RCFL-H*4821(RGPT-05?BMK?)	39,500 [11.6]	27,650 [8.1]	11,850 [3.5]	12.00	14.50	77	1,225 [578]
	RCFL-H*4821(RGPT-07?AMK?)	40,000 [11.7]	28,250 [8.3]	11,750 [3.4]	12.00	14.50	77	1,250 [590]
RCFL-H*4821(RGPT-07?BRQ?)	40,500 [11.9]	28,600 [8.4]	11,900 [3.5]	13.00	15.50	77	1,250 [590]	
RCFL-H*4821(RGPT-10?BRM?)	40,000 [11.7]	28,000 [8.2]	12,000 [3.5]	13.00	15.50	77	1,225 [578]	
RCFL-H*4821(RGRM-09?ZAJ?)	40,000 [11.7]	28,100 [8.2]	11,900 [3.5]	12.00	14.50	77	1,225 [578]	
RCFL-H*4821(RGRM-10?ZAJ?)	39,500 [11.6]	27,200 [8.0]	12,300 [3.6]	12.00	15.00	77	1,150 [543]	
RCFL-H*4821(RGTM-06?MAE?)	39,500 [11.6]	27,700 [8.1]	11,800 [3.5]	12.00	14.50	77	1,225 [578]	
RCFL-H*4821(RGTM-07?RBG?)	39,500 [11.6]	27,000 [7.9]	12,500 [3.7]	12.50	15.50	77	1,125 [531]	
RCFL-H*4821(RGTM-09?ZAJ?)	40,000 [11.7]	28,200 [8.3]	11,800 [3.5]	12.50	15.10	77	1,250 [590]	
RCFL-H*4821(RHWP-04WMX36A)	40,000 [11.7]	28,000 [8.2]	12,000 [3.5]	12.50	15.10	77	1,200 [566]	

42

Ⓢ Highest sales volume tested combination required by D.O.E. test procedures.

[] Designates Metric Conversions

Performance Data @ AHRI Standard Conditions—Cooling (con't.)

Model Numbers		80°F [26.5°C] DB/67°F [19.5°C] WB Indoor Air 95°F [35°C] DB Outdoor Air					Sound Rating dB	Indoor CFM [L/s]
Outdoor Unit 14AJM	Indoor Coil and/or Air Handler	Total Capacity BTU/H [kW]	Net Sensible BTU/H [kW]	Net Latent BTU/H [kW]	EER	SEER		
Rev. 4/5/13	RCFL-H*4821(RHWB-06WMX48A)	40,000 [11.7]	28,700 [8.4]	11,300 [3.3]	12.00	14.50	77	1,325 [625]
	RCFL-H*4821(ROCA-070E03)	40,000 [11.7]	27,950 [8.2]	12,050 [3.5]	12.50	15.00	77	1,200 [566]
	RCFL-H*4821(ROCA-070E04)	40,000 [11.7]	27,950 [8.2]	12,050 [3.5]	12.50	15.00	77	1,200 [566]
	RCFL-H*4821(ROLA-070E03)	40,000 [11.7]	27,750 [8.1]	12,250 [3.6]	12.50	15.00	77	1,175 [554]
	RCFL-H*4821(ROLA-070E04)	40,500 [11.9]	29,400 [8.6]	11,100 [3.3]	12.50	15.00	77	1,375 [649]
	RCFL-H*4821(ROLA-115E05)	40,000 [11.7]	27,850 [8.2]	12,150 [3.6]	13.00	15.50	77	1,200 [566]
	RCFL-H*4824(RGFE-09?ZCM?)	40,000 [11.7]	27,950 [8.2]	12,050 [3.5]	12.50	15.10	77	1,200 [566]
	RCFL-H*4824(RGFE-10?ZCM?)	40,000 [11.7]	28,100 [8.2]	11,900 [3.5]	12.50	15.10	77	1,225 [578]
	RCFL-H*4824(RGFE-12?RCM?)	40,000 [11.7]	28,000 [8.2]	12,000 [3.5]	12.50	15.10	77	1,225 [578]
	RCFL-H*4824(RGFG-09EZCMS)	40,000 [11.7]	27,800 [8.1]	12,200 [3.6]	12.50	15.10	77	1,200 [566]
	RCFL-H*4824(RGFG-09NZCMS)	40,000 [11.7]	27,800 [8.1]	12,200 [3.6]	12.50	15.10	77	1,200 [566]
	RCFL-H*4824(RGFG-10EZCMS)	40,000 [11.7]	27,800 [8.1]	12,200 [3.6]	12.50	15.00	77	1,200 [566]
	RCFL-H*4824(RGFG-10NZCMS)	40,000 [11.7]	27,800 [8.1]	12,200 [3.6]	12.50	15.00	77	1,200 [566]
	RCFL-H*4824(RGFG-12ERCMS)	40,000 [11.7]	28,200 [8.3]	11,800 [3.5]	12.50	15.10	77	1,225 [578]
	RCFL-H*4824(RGFG-12NRCMS)	40,000 [11.7]	28,200 [8.3]	11,800 [3.5]	12.50	15.10	77	1,225 [578]
	RCFL-H*4824(RGGE-09?ZCM?)	40,000 [11.7]	28,050 [8.2]	11,950 [3.5]	12.50	15.10	77	1,225 [578]
	RCFL-H*4824(RGGE-10?ZCM?)	40,000 [11.7]	27,950 [8.2]	12,050 [3.5]	12.50	15.10	77	1,200 [566]
	RCFL-H*4824(RGGE-12?RCM?)	40,000 [11.7]	27,850 [8.2]	12,150 [3.6]	13.00	15.50	77	1,200 [566]
	RCFL-H*4824(RGJF-09?ZCM?)	40,000 [11.7]	28,050 [8.2]	11,950 [3.5]	12.50	15.10	77	1,225 [578]
	RCFL-H*4824(RGJF-10?ZCM?)	40,000 [11.7]	27,900 [8.2]	12,100 [3.5]	12.50	15.10	77	1,200 [566]
	RCFL-H*4824(RGJF-12?RCM?)	40,000 [11.7]	28,000 [8.2]	12,000 [3.5]	13.00	15.50	77	1,200 [566]
	RCFL-H*4824(RGLE-07?BRQ?)	40,000 [11.7]	28,200 [8.3]	11,800 [3.5]	12.50	15.50	77	1,225 [578]
	RCFL-H*4824(RGLE-10?BRM?)	40,000 [11.7]	27,850 [8.2]	12,150 [3.6]	13.00	15.50	77	1,200 [566]
	RCFL-H*4824(RGLE-12?ARM?)	40,000 [11.7]	28,000 [8.2]	12,000 [3.5]	13.00	15.50	77	1,225 [578]
	RCFL-H*4824(RGLT-07?BRQ?)	40,000 [11.7]	28,150 [8.2]	11,850 [3.5]	12.50	15.50	77	1,250 [590]
	RCFL-H*4824(RGLT-10?BRM?)	40,500 [11.9]	28,650 [8.4]	11,850 [3.5]	12.50	15.50	77	1,250 [590]
	RCFL-H*4824(RGLT-12?ARM?)	41,000 [12.0]	29,850 [8.7]	11,150 [3.3]	12.50	15.50	77	1,375 [649]
	RCFL-H*4824(RGPE-07?BRQ?)	40,000 [11.7]	28,000 [8.2]	12,000 [3.5]	13.00	15.50	77	1,225 [578]
	RCFL-H*4824(RGPE-10?BRM?)	40,000 [11.7]	28,000 [8.2]	12,000 [3.5]	13.00	15.50	77	1,225 [578]
	RCFL-H*4824(RGPE-12?ARM?)	40,000 [11.7]	27,850 [8.2]	12,150 [3.6]	13.00	15.50	77	1,200 [566]
	RCFL-H*4824(RGPT-07?BRQ?)	40,000 [11.7]	28,000 [8.2]	12,000 [3.5]	13.00	15.50	77	1,225 [578]
	RCFL-H*4824(RGPT-10?BRM?)	40,000 [11.7]	28,000 [8.2]	12,000 [3.5]	13.00	15.50	77	1,225 [578]
	RCFL-H*4824(RGPT-12?ARM?)	41,000 [12.0]	29,850 [8.7]	11,150 [3.3]	13.00	15.50	77	1,375 [649]
	RCFL-H*4824(RGRM-09?ZAJ?)	40,000 [11.7]	28,200 [8.3]	11,800 [3.5]	12.00	14.50	77	1,225 [578]
	RCFL-H*4824(RGRM-10?ZAJ?)	39,500 [11.6]	27,200 [8.0]	12,300 [3.6]	12.00	15.00	77	1,150 [543]
	RCFL-H*4824(RGRM-12?RAJ?)	40,000 [11.7]	28,050 [8.2]	11,950 [3.5]	12.00	15.00	77	1,225 [578]
	RCFL-H*4824(RGTM-07?RBG?)	39,500 [11.6]	27,000 [7.9]	12,500 [3.7]	12.50	15.50	77	1,125 [531]
	RCFL-H*4824(RGTM-09?ZAJ?)	40,000 [11.7]	28,200 [8.3]	11,800 [3.5]	12.50	15.10	77	1,250 [590]
	RCFL-H*4824(RGTM-10?RBJ?)	39,500 [11.6]	26,950 [7.9]	12,550 [3.7]	13.00	15.50	77	1,125 [531]
	RCFL-H*4824(RHWB-08WRX60A)	40,500 [11.9]	29,300 [8.6]	11,200 [3.3]	13.00	15.50	77	1,350 [637]
	RCFL-H*4824(RHWB-10WRX60A)	41,000 [12.0]	30,300 [8.9]	10,700 [3.1]	13.00	15.50	77	1,400 [661]
	RCFL-H*4824(ROCA-070E03)	40,000 [11.7]	27,950 [8.2]	12,050 [3.5]	12.50	15.00	77	1,200 [566]
RCFL-H*4824(ROCA-070E04)	40,000 [11.7]	27,950 [8.2]	12,050 [3.5]	12.50	15.00	77	1,200 [566]	
RCFL-H*4824(ROLA-070E03)	40,000 [11.7]	27,750 [8.1]	12,250 [3.6]	12.50	15.00	77	1,175 [554]	
RCFL-H*4824(ROLA-070E04)	40,500 [11.9]	29,400 [8.6]	11,100 [3.3]	12.50	15.00	77	1,375 [649]	
RCFL-H*4824(ROLA-115E05)	40,500 [11.9]	29,700 [8.7]	10,800 [3.2]	12.50	15.00	77	1,400 [661]	
RCFL-H*4824+RXMD-C04	40,500 [11.9]	29,600 [8.7]	10,700 [3.1]	12.00	14.50	77	1,425 [672]	
RCFN-H*4824(RGFE-09?ZCM?)	42,000 [12.3]	31,050 [9.1]	10,950 [3.2]	13.00	15.50	77	1,200 [566]	
RCFN-H*4824(RGFE-10?ZCM?)	42,000 [12.3]	31,250 [9.2]	10,750 [3.1]	12.50	15.00	77	1,225 [578]	
RCFN-H*4824(RGFE-12?RCM?)	42,000 [12.3]	31,200 [9.1]	10,800 [3.2]	13.00	15.50	77	1,225 [578]	

① Highest sales volume tested combination required by D.O.E. test procedures.

[] Designates Metric Conversions

Performance Data @ AHRI Standard Conditions—Cooling (con't.)

Model Numbers		80°F [26.5°C] DB/67°F [19.5°C] WB Indoor Air 95°F [35°C] DB Outdoor Air					Sound Rating dB	Indoor CFM [L/s]
Outdoor Unit 14AJM	Indoor Coil and/or Air Handler	Total Capacity BTU/H [kW]	Net Sensible BTU/H [kW]	Net Latent BTU/H [kW]	EER	SEER		
Rev. 4/5/13	RCFN-H*4824(RGFG-09EZCMS)	43,500 [12.7]	34,550 [10.1]	8,950 [2.6]	12.50	15.10	77	1,400 [661]
	RCFN-H*4824(RGFG-09NZCMS)	43,500 [12.7]	34,550 [10.1]	8,950 [2.6]	12.50	15.10	77	1,400 [661]
	RCFN-H*4824(RGFG-10EZCMS)	43,500 [12.7]	34,550 [10.1]	8,950 [2.6]	12.50	15.00	77	1,400 [661]
	RCFN-H*4824(RGFG-10NZCMS)	43,500 [12.7]	34,550 [10.1]	8,950 [2.6]	12.50	15.00	77	1,400 [661]
	RCFN-H*4824(RGFG-12ERCMS)	43,000 [12.6]	32,750 [9.6]	10,250 [3.0]	13.00	16.00	77	1,225 [578]
	RCFN-H*4824(RGFG-12NRCMS)	43,000 [12.6]	32,750 [9.6]	10,250 [3.0]	13.00	16.00	77	1,225 [578]
	RCFN-H*4824(RGGE-09?ZCM?)	42,000 [12.3]	31,200 [9.1]	10,800 [3.2]	13.00	15.50	77	1,225 [578]
	RCFN-H*4824(RGGE-10?ZCM?)	42,000 [12.3]	31,050 [9.1]	10,950 [3.2]	13.00	15.50	77	1,200 [566]
	RCFN-H*4824(RGGE-12?RCM?)	42,000 [12.3]	31,000 [9.1]	11,000 [3.2]	13.00	16.00	77	1,200 [566]
	RCFN-H*4824(RGJF-09?ZCM?)	42,000 [12.3]	31,200 [9.1]	10,800 [3.2]	13.00	15.50	77	1,225 [578]
	RCFN-H*4824(RGJF-10?ZCM?)	42,000 [12.3]	31,050 [9.1]	10,950 [3.2]	13.00	15.50	77	1,200 [566]
	RCFN-H*4824(RGJF-12?RCM?)	42,000 [12.3]	31,000 [9.1]	11,000 [3.2]	13.00	16.00	77	1,200 [566]
	RCFN-H*4824(RGLE-07?BRQ?)	42,000 [12.3]	31,150 [9.1]	10,850 [3.2]	13.00	16.00	77	1,225 [578]
	RCFN-H*4824(RGLE-10?BRM?)	42,000 [12.3]	31,000 [9.1]	11,000 [3.2]	13.00	16.00	77	1,200 [566]
	RCFN-H*4824(RGLE-12?ARM?)	42,000 [12.3]	31,150 [9.1]	10,850 [3.2]	13.00	16.00	77	1,225 [578]
	RCFN-H*4824(RGLT-07?BRQ?)	43,000 [12.6]	34,200 [10.0]	8,800 [2.6]	12.50	15.00	77	1,450 [684]
	RCFN-H*4824(RGLT-10?BRM?)	43,000 [12.6]	34,150 [10.0]	8,850 [2.6]	13.00	15.50	77	1,450 [684]
	RCFN-H*4824(RGLT-12?ARM?)	43,500 [12.7]	34,600 [10.1]	8,900 [2.6]	13.00	15.50	77	1,400 [661]
	RCFN-H*4824(RGPE-07?BRQ?)	42,000 [12.3]	31,150 [9.1]	10,850 [3.2]	13.00	16.00	77	1,225 [578]
	RCFN-H*4824(RGPE-10?BRM?)	42,000 [12.3]	31,150 [9.1]	10,850 [3.2]	13.00	16.00	77	1,225 [578]
	RCFN-H*4824(RGPE-12?ARM?)	42,000 [12.3]	31,000 [9.1]	11,000 [3.2]	13.00	16.00	77	1,200 [566]
	RCFN-H*4824(RGPT-07?BRQ?)	43,000 [12.6]	34,150 [10.0]	8,850 [2.6]	13.00	15.50	77	1,450 [684]
	RCFN-H*4824(RGPT-10?BRM?)	43,000 [12.6]	34,150 [10.0]	8,850 [2.6]	13.00	15.50	77	1,450 [684]
	RCFN-H*4824(RGPT-12?ARM?)	43,000 [12.6]	33,800 [9.9]	9,200 [2.7]	13.00	15.50	77	1,375 [649]
	RCFN-H*4824(RGRM-07?YBG?)	42,000 [12.3]	31,500 [9.2]	10,500 [3.1]	11.50	14.00	77	1,200 [566]
	RCFN-H*4824(RGRM-09?ZAJ?)	42,500 [12.5]	30,850 [9.0]	11,650 [3.4]	13.00	15.00	77	1,225 [578]
	RCFN-H*4824(RGRM-10?ZAJ?)	42,500 [12.5]	31,700 [9.3]	10,800 [3.2]	12.50	15.10	77	1,150 [543]
	RCFN-H*4824(RGRM-12?RAJ?)	42,500 [12.5]	30,800 [9.0]	11,700 [3.4]	13.00	15.50	77	1,225 [578]
	RCFN-H*4824(RGTM-07?RBG?)	43,000 [12.6]	32,900 [9.6]	10,100 [3.0]	12.50	15.10	77	1,275 [602]
	RCFN-H*4824(RGTM-09?ZAJ?)	43,000 [12.6]	32,600 [9.6]	10,400 [3.0]	13.00	15.50	77	1,225 [578]
	RCFN-H*4824(RGTM-10?RBJ?)	43,000 [12.6]	32,600 [9.6]	10,400 [3.0]	13.00	15.50	77	1,225 [578]
	RCFN-H*4824(RHWP-08WRX60A)	43,500 [12.7]	33,800 [9.9]	9,700 [2.8]	13.00	16.00	77	1,350 [637]
	RCFN-H*4824(RHWP-10WRX60A)	44,000 [12.9]	34,700 [10.2]	9,300 [2.7]	13.00	16.00	77	1,400 [661]
	RCFN-H*4824(ROCA-070E03)	42,000 [12.3]	31,850 [9.3]	10,150 [3.0]	12.50	15.00	77	1,200 [566]
	RCFN-H*4824(ROCA-070E04)	42,000 [12.3]	31,850 [9.3]	10,150 [3.0]	12.50	15.00	77	1,200 [566]
	RCFN-H*4824(ROLA-070E03)	42,500 [12.5]	31,800 [9.3]	10,700 [3.1]	13.00	15.50	77	1,175 [554]
	RCFN-H*4824(ROLA-070E04)	43,000 [12.6]	33,900 [9.9]	9,100 [2.7]	12.50	15.00	77	1,375 [649]
	RCFN-H*4824(ROLA-115E05)	43,000 [12.6]	34,200 [10.0]	8,800 [2.6]	12.50	15.00	77	1,400 [661]
	RCFN-H*4824+RXMD-C04	42,000 [12.3]	30,400 [8.9]	11,600 [3.4]	12.50	15.00	77	1,200 [566]
	RBHP-24(RCHL-48A1)	40,000 [11.7]	28,200 [8.3]	11,800 [3.5]	13.00	15.50	77	1,400 [661]
	RCQD-4821(RGFE-06?MCK?)	41,000 [12.0]	31,000 [9.1]	10,000 [2.9]	11.50	14.00	77	1,200 [566]
	RCQD-4821(RGFE-07?MCK?)	41,000 [12.0]	31,100 [9.1]	9,900 [2.9]	11.50	14.00	77	1,225 [578]
RCQD-4821(RGFE-09?ZCM?)	41,500 [12.2]	31,500 [9.2]	10,000 [2.9]	12.00	14.50	77	1,200 [566]	
RCQD-4821(RGFE-10?ZCM?)	41,500 [12.2]	31,600 [9.3]	9,900 [2.9]	12.00	14.50	77	1,225 [578]	
RCQD-4821(RGFG-06EMCKS)	41,000 [12.0]	31,000 [9.1]	10,000 [2.9]	11.50	14.00	77	1,200 [566]	
RCQD-4821(RGFG-06NMCKS)	41,000 [12.0]	31,000 [9.1]	10,000 [2.9]	11.50	14.00	77	1,200 [566]	
RCQD-4821(RGFG-07EMCKS)	41,000 [12.0]	31,100 [9.1]	9,900 [2.9]	11.50	14.00	77	1,225 [578]	
RCQD-4821(RGFG-07NMCKS)	41,000 [12.0]	31,100 [9.1]	9,900 [2.9]	11.50	14.00	77	1,225 [578]	
RCQD-4821(RGFG-09EZCMS)	41,500 [12.2]	31,500 [9.2]	10,000 [2.9]	12.00	14.50	77	1,200 [566]	
RCQD-4821(RGFG-09NZCMS)	41,500 [12.2]	31,500 [9.2]	10,000 [2.9]	12.00	14.50	77	1,200 [566]	

42

Ⓢ Highest sales volume tested combination required by D.O.E. test procedures.

[] Designates Metric Conversions

Performance Data @ AHRI Standard Conditions—Cooling (con't.)

Model Numbers		80°F [26.5°C] DB/67°F [19.5°C] WB Indoor Air 95°F [35°C] DB Outdoor Air					Sound Rating dB	Indoor CFM [L/s]
Outdoor Unit 14AJM	Indoor Coil and/or Air Handler	Total Capacity BTU/H [kW]	Net Sensible BTU/H [kW]	Net Latent BTU/H [kW]	EER	SEER		
Rev. 4/5/13	RCQD-4821(RGFG-10EZCMS)	41,500 [12.2]	31,500 [9.2]	10,000 [2.9]	12.00	14.50	77	1,200 [566]
	RCQD-4821(RGFG-10NZCMS)	41,500 [12.2]	31,500 [9.2]	10,000 [2.9]	12.00	14.50	77	1,200 [566]
	RCQD-4821(RGJF-06?MCK?)	41,000 [12.0]	31,000 [9.1]	10,000 [2.9]	12.00	14.50	77	1,200 [566]
	RCQD-4821(RGJF-07?MCK?)	41,000 [12.0]	31,000 [9.1]	10,000 [2.9]	11.50	14.00	77	1,200 [566]
	RCQD-4821(RGJF-09?ZCM?)	41,500 [12.2]	31,600 [9.3]	9,900 [2.9]	12.50	15.10	77	1,225 [578]
	RCQD-4821(RGJF-10?ZCM?)	41,500 [12.2]	31,500 [9.2]	10,000 [2.9]	12.50	15.00	77	1,200 [566]
	RCQD-4821(RGPE-05?BMK?)	41,000 [12.0]	31,000 [9.1]	10,000 [2.9]	12.00	14.50	77	1,200 [566]
	RCQD-4821(RGPE-07?AMK?)	41,500 [12.2]	31,600 [9.3]	9,900 [2.9]	12.00	14.50	77	1,225 [578]
	RCQD-4821(RGPE-07?BRQ?)	42,000 [12.3]	32,100 [9.4]	9,900 [2.9]	12.50	15.10	77	1,225 [578]
	RCQD-4821(RGPE-10?BRM?)	42,000 [12.3]	32,100 [9.4]	9,900 [2.9]	12.50	15.10	77	1,225 [578]
	RCQD-4821(RGPT-05?BMK?)	40,500 [11.9]	31,150 [9.1]	9,350 [2.7]	12.00	14.00	77	1,250 [590]
	RCQD-4821(RGPT-07?AMK?)	41,000 [12.0]	31,650 [9.3]	9,350 [2.7]	12.00	14.50	77	1,250 [590]
	RCQD-4821(RGPT-07?BRQ?)	41,000 [12.0]	31,300 [9.2]	9,700 [2.8]	12.50	15.10	77	1,250 [590]
	RCQD-4821(RGPT-10?BRM?)	41,500 [12.2]	31,800 [9.3]	9,700 [2.8]	12.50	15.10	77	1,250 [590]
	RCQD-4821(RGRM-04?MAE?)	41,000 [12.0]	31,000 [9.1]	10,000 [2.9]	11.50	14.00	77	1,200 [566]
	RCQD-4821(RGRM-06?MAE?)	41,000 [12.0]	30,800 [9.0]	10,200 [3.0]	11.50	14.00	77	1,175 [554]
	RCQD-4821(RGRM-07?MAE?)	40,500 [11.9]	30,600 [9.0]	9,900 [2.9]	11.50	13.50	77	1,225 [578]
	RCQD-4821(RGRM-07?YBG?)	41,000 [12.0]	31,000 [9.1]	10,000 [2.9]	11.50	13.50	77	1,200 [566]
	RCQD-4821(RGRM-09?ZAJ?)	41,500 [12.2]	31,600 [9.3]	9,900 [2.9]	12.00	14.50	77	1,225 [578]
	RCQD-4821(RGRM-10?ZAJ?)	41,000 [12.0]	30,700 [9.0]	10,300 [3.0]	12.00	14.50	77	1,150 [543]
RCQD-4821(RGTM-06?MAE?)	41,000 [12.0]	31,100 [9.1]	9,900 [2.9]	11.50	14.00	77	1,225 [578]	
RCQD-4821(RGTM-07?RBG?)	42,000 [12.3]	32,400 [9.5]	9,600 [2.8]	12.50	15.00	77	1,275 [602]	
RCQD-4821(RGTM-09?ZAJ?)	41,500 [12.2]	31,600 [9.3]	9,900 [2.9]	12.50	15.00	77	1,225 [578]	
RCQD-4821(RHWB-04WMX36A)	41,500 [12.2]	31,500 [9.2]	10,000 [2.9]	12.00	14.50	77	1,200 [566]	
RCQD-4821(RHWB-06WMX48A)	41,500 [12.2]	31,500 [9.2]	10,000 [2.9]	12.00	14.50	77	1,200 [566]	
42	RCQD-4821(ROCA-070E03)	40,500 [11.9]	30,800 [9.0]	9,700 [2.8]	12.00	14.50	77	1,200 [566]
	RCQD-4821(ROCA-070E04)	40,500 [11.9]	30,800 [9.0]	9,700 [2.8]	12.00	14.50	77	1,200 [566]
	RCQD-4821(ROLA-070E03)	41,000 [12.0]	31,150 [9.1]	9,850 [2.9]	12.50	15.00	77	1,175 [554]
	RCQD-4821(ROLA-070E04)	41,500 [12.2]	32,850 [9.6]	8,650 [2.5]	12.00	14.50	77	1,375 [649]
	RCQD-4821(ROLA-115E05)	41,500 [12.2]	31,500 [9.2]	10,000 [2.9]	12.50	15.10	77	1,200 [566]
	RCQD-4821+RXMD-C04	42,000 [12.3]	33,300 [9.8]	8,700 [2.5]	11.50	14.00	77	1,425 [672]
	RCQD-4824	42,000 [12.3]	33,600 [9.8]	8,400 [2.5]	11.50	14.00	77	1,425 [672]
	RCQD-4824(RGFE-09?ZCM?)	41,500 [12.2]	31,800 [9.3]	9,700 [2.8]	12.50	15.00	77	1,200 [566]
	RCQD-4824(RGFE-10?ZCM?)	41,500 [12.2]	31,900 [9.3]	9,600 [2.8]	12.00	14.50	77	1,225 [578]
	RCQD-4824(RGFE-12?RCM?)	42,000 [12.3]	32,400 [9.5]	9,600 [2.8]	12.50	15.10	77	1,225 [578]
	RCQD-4824(RGFG-09EZCMS)	40,000 [11.7]	30,300 [8.9]	9,700 [2.8]	11.50	13.50	77	1,200 [566]
	RCQD-4824(RGFG-09NZCMS)	40,000 [11.7]	30,300 [8.9]	9,700 [2.8]	11.50	13.50	77	1,200 [566]
	RCQD-4824(RGFG-10EZCMS)	40,000 [11.7]	30,300 [8.9]	9,700 [2.8]	11.50	13.50	77	1,200 [566]
	RCQD-4824(RGFG-10NZCMS)	40,000 [11.7]	30,300 [8.9]	9,700 [2.8]	11.50	13.50	77	1,200 [566]
	RCQD-4824(RGFG-12ERCMS)	40,500 [11.9]	30,900 [9.1]	9,600 [2.8]	11.50	13.50	77	1,225 [578]
	RCQD-4824(RGFG-12NRCMS)	40,500 [11.9]	30,900 [9.1]	9,600 [2.8]	11.50	13.50	77	1,225 [578]
	RCQD-4824(RGJF-09?ZCM?)	41,500 [12.2]	31,900 [9.3]	9,600 [2.8]	12.50	15.10	77	1,225 [578]
	RCQD-4824(RGJF-10?ZCM?)	41,500 [12.2]	31,800 [9.3]	9,700 [2.8]	12.50	15.00	77	1,200 [566]
	RCQD-4824(RGJF-12?RCM?)	42,000 [12.3]	32,300 [9.5]	9,700 [2.8]	13.00	15.50	77	1,200 [566]
	RCQD-4824(RGPE-07?BRQ?)	42,000 [12.3]	32,400 [9.5]	9,600 [2.8]	12.50	15.10	77	1,225 [578]
	RCQD-4824(RGPE-10?BRM?)	42,000 [12.3]	32,400 [9.5]	9,600 [2.8]	13.00	15.50	77	1,225 [578]
	RCQD-4824(RGPE-12?ARM?)	42,000 [12.3]	32,300 [9.5]	9,700 [2.8]	13.00	15.50	77	1,200 [566]
	RCQD-4824(RGPT-07?BRQ?)	41,000 [12.0]	31,700 [9.3]	9,300 [2.7]	11.50	13.50	77	1,275 [602]
	RCQD-4824(RGPT-10?BRM?)	40,000 [11.7]	30,850 [9.0]	9,150 [2.7]	11.50	13.50	77	1,275 [602]
	RCQD-4824(RGPT-12?ARM?)	40,000 [11.7]	30,550 [9.0]	9,450 [2.8]	11.50	14.00	77	1,225 [578]
	RCQD-4824(RGRM-07?YBG?)	41,000 [12.0]	31,300 [9.2]	9,700 [2.8]	11.50	13.50	77	1,200 [566]

① Highest sales volume tested combination required by D.O.E. test procedures.

[] Designates Metric Conversions

Performance Data @ AHRI Standard Conditions—Cooling (con't.)

Model Numbers		80°F [26.5°C] DB/67°F [19.5°C] WB Indoor Air 95°F [35°C] DB Outdoor Air					Sound Rating dB	Indoor CFM [L/s]	
Outdoor Unit 14AJM	Indoor Coil and/or Air Handler	Total Capacity BTU/H [kW]	Net Sensible BTU/H [kW]	Net Latent BTU/H [kW]	EER	SEER			
Rev. 4/5/13	RCQD-4824(RGRM-09?ZAJ?)	41,500 [12.2]	31,900 [9.3]	9,600 [2.8]	12.00	14.50	77	1,225 [578]	
	RCQD-4824(RGRM-10?ZAJ?)	41,000 [12.0]	31,000 [9.1]	10,000 [2.9]	12.00	14.50	77	1,150 [543]	
	RCQD-4824(RGRM-12?RAJ?)	41,500 [12.2]	31,900 [9.3]	9,600 [2.8]	12.50	15.10	77	1,225 [578]	
	RCQD-4824(RGTM-07?RBG?)	42,000 [12.3]	32,700 [9.6]	9,300 [2.7]	12.50	15.10	77	1,275 [602]	
	RCQD-4824(RGTM-09?ZAJ?)	41,500 [12.2]	31,900 [9.3]	9,600 [2.8]	12.50	15.10	77	1,225 [578]	
	RCQD-4824(RGTM-10?RBJ?)	42,000 [12.3]	32,400 [9.5]	9,600 [2.8]	12.50	15.10	77	1,225 [578]	
	RCQD-4824(RHWP-08WRX60A)	42,000 [12.3]	34,200 [10.0]	7,800 [2.3]	11.50	14.00	77	1,525 [720]	
	RCQD-4824(RHWP-10WRX60A)	42,000 [12.3]	34,400 [10.1]	7,600 [2.2]	11.50	14.00	77	1,550 [731]	
42	RCQD-4824(ROCA-070E03)	39,500 [11.6]	30,000 [8.8]	9,500 [2.8]	11.00	13.00	77	1,200 [566]	
	RCQD-4824(ROCA-070E04)	39,500 [11.6]	30,000 [8.8]	9,500 [2.8]	11.00	13.00	77	1,200 [566]	
	RCQD-4824(ROLA-070E03)	39,500 [11.6]	29,800 [8.7]	9,700 [2.8]	11.50	13.50	77	1,175 [554]	
	RCQD-4824(ROLA-070E04)	39,500 [11.6]	29,800 [8.7]	9,700 [2.8]	11.50	13.50	77	1,175 [554]	
	RCQD-4824(ROLA-115E05)	40,000 [11.7]	30,450 [8.9]	9,550 [2.8]	11.50	13.50	77	1,200 [566]	
	RHKL-HM3821(RCSL-H*3821)	40,000 [11.7]	28,300 [8.3]	11,700 [3.4]	13.00	16.00	77	1,175 [554]	
	RHLL-HM3821(RCSL-H*3821)	40,000 [11.7]	28,300 [8.3]	11,700 [3.4]	13.00	16.00	77	1,175 [554]	
	RHKL-HM4821(RCSL-H*4821)	41,000 [12.0]	30,100 [8.8]	10,900 [3.2]	13.00	15.50	77	1,400 [661]	
	RHLL-HM4821(RCSL-H*4821)	41,000 [12.0]	30,100 [8.8]	10,900 [3.2]	13.00	15.50	77	1,400 [661]	
	RHSL-HM4221(RCSL-H*4821)	40,000 [11.7]	29,300 [8.6]	10,700 [3.1]	11.50	14.00	77	1,400 [661]	
	RHPN-HM3624(RCSN-H*3624)	42,500 [12.5]	32,600 [9.6]	9,900 [2.9]	13.00	15.50	77	1,200 [566]	
	48	RCFL-A*4821+RXMD-C04 ①	48,500 [14.2]	34,300 [10.0]	14,200 [4.2]	12.00	14.50	77	1,600 [755]
		RCFL-A*4821(RGGE-09?ZCM?)	48,000 [14.1]	32,500 [9.5]	15,500 [4.5]	12.00	14.50	77	1,400 [661]
		RCFL-A*4821(RGLE-07?BRQ?)	48,000 [14.1]	32,500 [9.5]	15,500 [4.5]	12.00	14.50	77	1,400 [661]
		RCFL-A*4821(RGLE-10?BRM?)	48,000 [14.1]	32,500 [9.5]	15,500 [4.5]	12.50	15.00	77	1,400 [661]
		RCFL-A*4821(RGLT-07?AMK?)	48,000 [14.1]	32,000 [9.4]	16,000 [4.7]	12.50	15.00	77	1,325 [625]
RCFL-A*4821(RGLT-07?BRQ?)		48,000 [14.1]	33,000 [9.7]	15,000 [4.4]	12.00	14.50	77	1,425 [672]	
RCFL-A*4821(RGLT-10?BRM?)		48,000 [14.1]	32,500 [9.5]	15,500 [4.5]	12.00	14.50	77	1,400 [661]	
RCFL-A*4821(RGPE-07?BRQ?)		48,000 [14.1]	32,500 [9.5]	15,500 [4.5]	12.00	14.50	77	1,400 [661]	
RCFL-A*4821(RGPE-10?BRM?)		48,000 [14.1]	34,000 [10.0]	14,000 [4.1]	12.00	14.50	77	1,550 [731]	
RCFL-A*4821(RGPT-07?BRQ?)		48,500 [14.2]	33,200 [9.7]	15,300 [4.5]	12.00	14.50	77	1,425 [672]	
RCFL-A*4821(RGPT-10?BRM?)		48,000 [14.1]	32,500 [9.5]	15,500 [4.5]	12.00	14.50	77	1,400 [661]	
RCFL-A*4821(RGTM-07?RBG?)		48,000 [14.1]	32,000 [9.4]	16,000 [4.7]	12.00	14.50	77	1,325 [625]	
RCFL-A*4821(RGTM-09?ZAJ?)		48,000 [14.1]	32,500 [9.5]	15,500 [4.5]	12.00	14.50	77	1,400 [661]	
RCFL-A*4821(ROLA-070E04)		48,000 [14.1]	32,400 [9.5]	15,600 [4.6]	12.00	14.50	77	1,375 [649]	
RCFL-A*4821(ROLA-115E05)		48,000 [14.1]	32,500 [9.5]	15,500 [4.5]	12.00	14.50	77	1,400 [661]	
RCFL-A*4821+RXMD-C04		48,500 [14.2]	34,300 [10.0]	14,200 [4.2]	12.00	14.50	77	1,600 [755]	
RCFL-A*4824(RGFE-12?RCM?)		48,000 [14.1]	33,000 [9.7]	15,000 [4.4]	12.00	14.50	77	1,450 [684]	
RCFL-A*4824(RGFG-12NRCMS)		47,500 [13.9]	32,500 [9.5]	15,000 [4.4]	12.00	14.50	77	1,450 [684]	
RCFL-A*4824(RGFG-12ERCMS)		47,500 [13.9]	32,500 [9.5]	15,000 [4.4]	12.00	14.50	77	1,450 [684]	
RCFL-A*4824(RGGE-09?ZCM?)		48,000 [14.1]	32,500 [9.5]	15,500 [4.5]	12.00	14.50	77	1,400 [661]	
RCFL-A*4824(RGGE-12?RCM?)		48,000 [14.1]	32,400 [9.5]	15,600 [4.6]	12.50	15.00	77	1,375 [649]	
RCFL-A*4824(RGLE-07?BRQ?)		48,000 [14.1]	32,500 [9.5]	15,500 [4.5]	12.00	14.50	77	1,400 [661]	
RCFL-A*4824(RGLE-10?BRM?)		48,000 [14.1]	32,500 [9.5]	15,500 [4.5]	12.50	15.00	77	1,400 [661]	
RCFL-A*4824(RGLE-12?ARM?)		48,500 [14.2]	33,200 [9.7]	15,300 [4.5]	12.50	15.00	77	1,425 [672]	
RCFL-A*4824(RGLT-07?BRQ?)		48,000 [14.1]	33,000 [9.7]	15,000 [4.4]	12.00	14.50	77	1,425 [672]	
RCFL-A*4824(RGLT-10?BRM?)		48,000 [14.1]	32,500 [9.5]	15,500 [4.5]	12.00	14.50	77	1,400 [661]	
RCFL-A*4824(RGLT-12?ARM?)		48,000 [14.1]	32,200 [9.4]	15,800 [4.6]	12.50	15.00	77	1,350 [637]	
RCFL-A*4824(RGPE-07?BRQ?)		48,000 [14.1]	32,500 [9.5]	15,500 [4.5]	12.50	15.00	77	1,400 [661]	
RCFL-A*4824(RGPE-10?BRM?)		48,000 [14.1]	32,500 [9.5]	15,500 [4.5]	12.50	15.00	77	1,400 [661]	
RCFL-A*4824(RGPE-12?ARM?)		48,500 [14.2]	33,000 [9.7]	15,500 [4.5]	12.50	15.00	77	1,425 [672]	
RCFL-A*4824(RGPT-07?BRQ?)		48,500 [14.2]	33,200 [9.7]	15,300 [4.5]	12.00	14.50	77	1,425 [672]	
RCFL-A*4824(RGPT-10?BRM?)		48,500 [14.2]	33,200 [9.7]	15,300 [4.5]	12.00	14.50	77	1,425 [672]	

① Highest sales volume tested combination required by D.O.E. test procedures.

[] Designates Metric Conversions

Performance Data @ AHRI Standard Conditions—Cooling (con't.)

Model Numbers		80°F [26.5°C] DB/67°F [19.5°C] WB Indoor Air 95°F [35°C] DB Outdoor Air					Sound Rating dB	Indoor CFM [L/s]
Outdoor Unit 14AJM	Indoor Coil and/or Air Handler	Total Capacity BTU/H [kW]	Net Sensible BTU/H [kW]	Net Latent BTU/H [kW]	EER	SEER		
48	Rev. 4/5/13 RCQD-4821(RGRM-10?ZAJ?)	50,000 [14.6]	35,500 [10.4]	14,500 [4.2]	12.00	14.50	77	1,425 [672]
	RCQD-4821(RGTM-07?RBG?)	50,500 [14.8]	36,500 [10.7]	14,000 [4.1]	12.50	15.00	77	1,475 [696]
	RCQD-4821(RGTM-09?ZAJ?)	50,000 [14.6]	35,500 [10.4]	14,500 [4.2]	12.50	15.00	77	1,400 [661]
	RCQD-4821(RHWP-06WVMX48A)	49,500 [14.5]	34,500 [10.1]	15,000 [4.4]	12.50	15.10	77	1,325 [625]
	RCQD-4821(ROCA-070E04)	50,000 [14.6]	35,500 [10.4]	14,500 [4.2]	12.00	14.50	77	1,400 [661]
	RCQD-4821(ROLA-070E04)	50,000 [14.6]	35,300 [10.3]	14,700 [4.3]	12.00	14.50	77	1,375 [649]
	RCQD-4821(ROLA-115E05)	50,000 [14.6]	35,500 [10.4]	14,500 [4.2]	12.50	15.00	77	1,400 [661]
	RCQD-4821+RXMD-C04	48,500 [14.2]	35,000 [10.3]	13,500 [4.0]	12.00	14.50	77	1,550 [731]
	RCQD-4824(RGFE-09?ZCM?)	47,500 [13.9]	33,000 [9.7]	14,500 [4.2]	12.50	15.00	77	1,400 [661]
	RCQD-4824(RGFE-10?ZCM?)	50,000 [14.6]	35,300 [10.3]	14,700 [4.3]	12.50	15.00	77	1,425 [672]
	RCQD-4824(RGFE-12?RCM?)	48,000 [14.1]	34,000 [10.0]	14,000 [4.1]	12.00	14.50	77	1,450 [684]
	RCQD-4824(RGFG-09NZCMS)	49,000 [14.4]	35,000 [10.3]	14,000 [4.1]	12.00	14.50	77	1,400 [661]
	RCQD-4824(RGFG-09EZCMS)	49,000 [14.4]	35,000 [10.3]	14,000 [4.1]	12.00	14.50	77	1,400 [661]
	RCQD-4824(RGFG-10EZCMS)	49,000 [14.4]	35,000 [10.3]	14,000 [4.1]	12.00	14.50	77	1,400 [661]
	RCQD-4824(RGFG-10NZCMS)	49,000 [14.4]	35,000 [10.3]	14,000 [4.1]	12.00	14.50	77	1,400 [661]
	RCQD-4824(RGFG-12NRCMS)	49,500 [14.5]	35,000 [10.3]	14,500 [4.2]	12.50	15.00	77	1,450 [684]
	RCQD-4824(RGFG-12ERCMS)	49,500 [14.5]	35,000 [10.3]	14,500 [4.2]	12.50	15.00	77	1,450 [684]
	RCQD-4824(RGJF-09?ZCM?)	47,500 [13.9]	33,000 [9.7]	14,500 [4.2]	12.00	14.50	77	1,400 [661]
	RCQD-4824(RGJF-10?ZCM?)	47,500 [13.9]	33,000 [9.7]	14,500 [4.2]	12.00	14.50	77	1,400 [661]
	RCQD-4824(RGJF-12?RCM?)	47,500 [13.9]	34,000 [10.0]	13,500 [4.0]	12.00	14.50	77	1,575 [743]
	RCQD-4824(RGPE-07?BRQ?)	48,000 [14.1]	33,100 [9.7]	14,900 [4.4]	12.00	14.50	77	1,400 [661]
	RCQD-4824(RGPE-10?BRM?)	48,000 [14.1]	34,100 [10.0]	13,900 [4.1]	12.00	14.50	77	1,550 [731]
	RCQD-4824(RGPE-12?ARM?)	48,000 [14.1]	33,300 [9.8]	14,700 [4.3]	12.00	14.50	77	1,425 [672]
	RCQD-4824(RGPT-07?BRQ?)	48,000 [14.1]	33,600 [9.8]	14,400 [4.2]	12.00	14.50	77	1,475 [696]
	RCQD-4824(RGPT-10?BRM?)	48,000 [14.1]	33,400 [9.8]	14,600 [4.3]	12.00	14.50	77	1,450 [684]
	RCQD-4824(RGPT-12?ARM?)	48,000 [14.1]	33,100 [9.7]	14,900 [4.4]	13.00	16.00	77	1,400 [661]
	RCQD-4824(RGRM-09?ZAJ?)	50,000 [14.6]	36,000 [10.5]	14,000 [4.1]	12.00	14.50	77	1,525 [720]
	RCQD-4824(RGRM-10?ZAJ?)	49,500 [14.5]	35,000 [10.3]	14,500 [4.2]	12.00	14.50	77	1,425 [672]
	RCQD-4824(RGRM-12?RAJ?)	47,500 [13.9]	32,800 [9.6]	14,700 [4.3]	12.50	15.00	77	1,425 [672]
	RCQD-4824(RGTM-07?RBG?)	50,500 [14.8]	36,000 [10.5]	14,500 [4.2]	12.50	15.00	77	1,475 [696]
	RCQD-4824(RGTM-09?ZAJ?)	50,000 [14.6]	35,000 [10.3]	15,000 [4.4]	12.50	15.00	77	1,400 [661]
	RCQD-4824(RGTM-10?RBJ?)	50,500 [14.8]	35,800 [10.5]	14,700 [4.3]	13.00	15.50	77	1,425 [672]
	RCQD-4824(RHWP-08WRX60A)	48,500 [14.2]	34,800 [10.2]	13,700 [4.0]	12.50	15.10	77	1,475 [696]
	RCQD-4824(RHWP-10WRX60A)	48,500 [14.2]	35,100 [10.3]	13,400 [3.9]	12.50	15.10	77	1,525 [720]
	RCQD-4824(ROCA-070E04)	49,500 [14.5]	34,800 [10.2]	14,700 [4.3]	12.00	14.50	77	1,400 [661]
	RCQD-4824(ROLA-070E04)	47,500 [13.9]	33,000 [9.7]	14,500 [4.2]	12.00	14.50	77	1,375 [649]
	RCQD-4824(ROLA-115E05)	48,000 [14.1]	33,100 [9.7]	14,900 [4.4]	12.00	14.50	77	1,400 [661]
	RCQD-4824+RXMD-C04	48,500 [14.2]	35,000 [10.3]	13,500 [4.0]	12.00	14.50	77	1,600 [755]
	RHKL-HM4821(RCSL-H*4821)	48,500 [14.2]	32,800 [9.6]	15,700 [4.6]	12.50	15.00	77	1,400 [661]
	RHLL-HM4821(RCSL-H*4821)	49,000 [14.4]	35,000 [10.3]	14,000 [4.1]	12.50	15.00	77	1,600 [755]
RHSL-HM4821(RCSL-H*4821)	48,500 [14.2]	34,000 [10.0]	14,500 [4.2]	11.50	14.00	77	1,550 [731]	
RHKL-HM4824(RCSL-H*4824)	49,500 [14.5]	35,300 [10.3]	14,200 [4.2]	13.00	15.50	77	1,625 [767]	
RHLL-HM4824(RCSL-H*4824)	49,500 [14.5]	35,300 [10.3]	14,200 [4.2]	13.00	15.50	77	1,625 [767]	
RHPL-HM4824(RCSL-H*4824)	49,500 [14.5]	35,300 [10.3]	14,200 [4.2]	13.00	15.50	77	1,625 [767]	
RHSL-HM4824(RCSL-H*4824)	48,000 [14.1]	33,500 [9.8]	14,500 [4.2]	11.50	14.00	77	1,550 [731]	
RHPN-HM4824(RCSN-H*4824)	52,000 [15.2]	38,000 [11.1]	14,000 [4.1]	13.00	16.00	77	1,600 [755]	
49	RCFL-H*4821+RXMD-C04 ①	46,500 [13.6]	33,000 [9.7]	13,300 [3.9]	12.00	14.50	77	1,600 [755]
	RCFL-A*4821(RGFE-09?ZCM?)	45,500 [13.3]	31,000 [9.1]	14,600 [4.3]	12.00	14.50	77	1,400 [661]
	RCFL-A*4821(RGFE-10?ZCM?)	45,500 [13.3]	31,200 [9.1]	14,400 [4.2]	12.00	14.50	77	1,425 [672]
	RCFL-A*4821(RGFG-09NZCMS)	45,500 [13.3]	31,000 [9.1]	14,600 [4.3]	12.00	14.50	77	1,400 [661]

① Highest sales volume tested combination required by D.O.E. test procedures.

[] Designates Metric Conversions

Performance Data @ AHRI Standard Conditions—Cooling (con't.)

Model Numbers		80°F [26.5°C] DB/67°F [19.5°C] WB Indoor Air 95°F [35°C] DB Outdoor Air					Sound Rating dB	Indoor CFM [L/s]
Outdoor Unit 14AJM	Indoor Coil and/or Air Handler	Total Capacity BTU/H [kW]	Net Sensible BTU/H [kW]	Net Latent BTU/H [kW]	EER	SEER		
Rev. 4/5/13	RCFL-A*4821(RGFG-09EZCMS)	45,500 [13.3]	31,000 [9.1]	14,600 [4.3]	12.00	14.50	77	1,400 [661]
	RCFL-A*4821(RGFG-10EZCMS)	45,500 [13.3]	31,000 [9.1]	14,600 [4.3]	12.00	14.50	77	1,400 [661]
	RCFL-A*4821(RGFG-10NZCMS)	45,500 [13.3]	31,000 [9.1]	14,600 [4.3]	12.00	14.50	77	1,400 [661]
	RCFL-A*4821(RGGE-09?ZCM?)	45,500 [13.3]	31,200 [9.1]	14,600 [4.3]	12.50	15.00	77	1,400 [661]
	RCFL-A*4821(RGGE-10?ZCM?)	45,500 [13.3]	31,000 [9.1]	14,600 [4.3]	12.00	14.50	77	1,400 [661]
	RCFL-A*4821(RGLE-07?BRQ?)	46,000 [13.5]	31,400 [9.2]	14,600 [4.3]	12.50	15.10	77	1,400 [661]
	RCFL-A*4821(RGLE-10?BRM?)	46,000 [13.5]	31,400 [9.2]	14,600 [4.3]	13.00	15.50	77	1,400 [661]
	RCFL-A*4821(RGLT-07?AMK?)	45,500 [13.3]	30,600 [9.0]	15,000 [4.4]	13.00	15.50	77	1,325 [625]
	RCFL-A*4821(RGLT-07?BRQ?)	46,000 [13.5]	31,600 [9.3]	14,400 [4.2]	12.50	15.10	77	1,425 [672]
	RCFL-A*4821(RGLT-10?BRM?)	46,000 [13.5]	31,400 [9.2]	14,600 [4.3]	12.50	15.10	77	1,400 [661]
	RCFL-A*4821(RGPE-07?BRQ?)	46,000 [13.5]	31,400 [9.2]	14,600 [4.3]	12.50	15.10	77	1,400 [661]
	RCFL-A*4821(RGPE-10?BRM?)	46,500 [13.6]	32,800 [9.6]	13,600 [4.0]	12.50	15.10	77	1,550 [731]
	RCFL-A*4821(RGPT-07?AMK?)	45,000 [13.2]	30,200 [8.8]	15,000 [4.4]	12.00	14.50	77	1,325 [625]
	RCFL-A*4821(RGPT-07?BRQ?)	46,000 [13.5]	31,800 [9.3]	14,400 [4.2]	13.00	15.50	77	1,425 [672]
	RCFL-A*4821(RGPT-10?BRM?)	46,000 [13.5]	31,400 [9.2]	14,600 [4.3]	13.00	15.50	77	1,400 [661]
	RCFL-A*4821(RGRM-09?ZAJ?)	45,500 [13.3]	31,000 [9.1]	14,600 [4.3]	12.00	14.50	77	1,400 [661]
	RCFL-A*4821(RGRM-10?ZAJ?)	45,500 [13.3]	31,200 [9.1]	14,400 [4.2]	12.00	14.50	77	1,425 [672]
	RCFL-A*4821(RGTM-07?RBG?)	45,500 [13.3]	30,600 [9.0]	15,000 [4.4]	12.50	15.10	77	1,325 [625]
	RCFL-A*4821(RGTM-09?ZAJ?)	45,500 [13.3]	31,200 [9.1]	14,600 [4.3]	12.50	15.00	77	1,400 [661]
	RCFL-A*4821(RHWB-04WMX36A)	45,000 [13.2]	29,700 [8.7]	15,300 [4.5]	12.50	15.00	77	1,275 [602]
	RCFL-A*4821(RHWB-06WMX48A)	45,000 [13.2]	29,800 [8.7]	15,200 [4.5]	12.00	14.50	77	1,300 [613]
	RCFL-A*4821(ROCA-070E04)	45,500 [13.3]	30,800 [9.0]	14,600 [4.3]	12.00	14.50	77	1,400 [661]
	RCFL-A*4821(ROLA-070E04)	45,500 [13.3]	31,000 [9.1]	14,700 [4.3]	12.50	15.10	77	1,375 [649]
	RCFL-A*4821(ROLA-115E05)	46,000 [13.5]	31,200 [9.1]	14,600 [4.3]	12.50	15.10	77	1,400 [661]
	RCFL-A*4821+RXMD-C04	46,500 [13.6]	33,200 [9.7]	13,300 [3.9]	12.00	14.50	77	1,600 [755]
	RCFL-A*4824(RGFE-09?ZCM?)	45,500 [13.3]	31,000 [9.1]	14,600 [4.3]	12.00	14.50	77	1,400 [661]
	RCFL-A*4824(RGFE-10?ZCM?)	45,500 [13.3]	31,200 [9.1]	14,400 [4.2]	12.00	14.50	77	1,425 [672]
	RCFL-A*4824(RGFE-12?RCM?)	46,000 [13.5]	31,800 [9.3]	14,200 [4.2]	12.50	15.10	77	1,450 [684]
	RCFL-A*4824(RGFG-09NZCMS)	45,500 [13.3]	31,000 [9.1]	14,600 [4.3]	12.00	14.50	77	1,400 [661]
	RCFL-A*4824(RGFG-09EZCMS)	45,500 [13.3]	31,000 [9.1]	14,600 [4.3]	12.00	14.50	77	1,400 [661]
	RCFL-A*4824(RGFG-10EZCMS)	45,500 [13.3]	31,000 [9.1]	14,600 [4.3]	12.00	14.50	77	1,400 [661]
	RCFL-A*4824(RGFG-10NZCMS)	45,500 [13.3]	31,000 [9.1]	14,600 [4.3]	12.00	14.50	77	1,400 [661]
	RCFL-A*4824(RGFG-12NRCMS)	46,000 [13.5]	31,800 [9.3]	14,200 [4.2]	12.50	15.10	77	1,450 [684]
	RCFL-A*4824(RGFG-12ERCMS)	46,000 [13.5]	31,800 [9.3]	14,200 [4.2]	12.50	15.10	77	1,450 [684]
	RCFL-A*4824(RGGE-09?ZCM?)	45,500 [13.3]	31,200 [9.1]	14,600 [4.3]	12.50	15.00	77	1,400 [661]
	RCFL-A*4824(RGGE-10?ZCM?)	45,500 [13.3]	31,000 [9.1]	14,600 [4.3]	12.00	14.50	77	1,400 [661]
	RCFL-A*4824(RGGE-12?RCM?)	46,000 [13.5]	31,200 [9.1]	14,700 [4.3]	12.50	15.10	77	1,375 [649]
	RCFL-A*4824(RGLE-07?BRQ?)	46,000 [13.5]	31,400 [9.2]	14,600 [4.3]	12.50	15.10	77	1,400 [661]
	RCFL-A*4824(RGLE-10?BRM?)	46,000 [13.5]	31,400 [9.2]	14,600 [4.3]	13.00	15.50	77	1,400 [661]
	RCFL-A*4824(RGLE-12?ARM?)	46,000 [13.5]	31,800 [9.3]	14,400 [4.2]	13.00	15.50	77	1,425 [672]
	RCFL-A*4824(RGLT-07?BRQ?)	46,000 [13.5]	31,600 [9.3]	14,400 [4.2]	12.50	15.10	77	1,425 [672]
	RCFL-A*4824(RGLT-10?BRM?)	46,000 [13.5]	31,400 [9.2]	14,600 [4.3]	12.50	15.10	77	1,400 [661]
	RCFL-A*4824(RGLT-12?ARM?)	46,000 [13.5]	31,000 [9.1]	14,900 [4.4]	13.00	15.50	77	1,350 [637]
	RCFL-A*4824(RGPE-07?BRQ?)	46,000 [13.5]	31,400 [9.2]	14,600 [4.3]	12.50	15.10	77	1,400 [661]
	RCFL-A*4824(RGPE-10?BRM?)	46,500 [13.6]	32,800 [9.6]	13,600 [4.0]	12.50	15.10	77	1,550 [731]
	RCFL-A*4824(RGPE-12?ARM?)	46,000 [13.5]	31,800 [9.3]	14,400 [4.2]	13.00	15.50	77	1,425 [672]
	RCFL-A*4824(RGPT-07?BRQ?)	46,000 [13.5]	31,800 [9.3]	14,400 [4.2]	13.00	15.50	77	1,425 [672]
	RCFL-A*4824(RGPT-10?BRM?)	46,000 [13.5]	31,800 [9.3]	14,400 [4.2]	13.00	15.50	77	1,425 [672]
	RCFL-A*4824(RGPT-12?ARM?)	46,000 [13.5]	31,000 [9.1]	14,900 [4.4]	13.00	15.50	77	1,350 [637]
RCFL-A*4824(RGRM-09?ZAJ?)	45,500 [13.3]	31,000 [9.1]	14,600 [4.3]	12.00	14.50	77	1,400 [661]	

49

Ⓢ Highest sales volume tested combination required by D.O.E. test procedures.

[] Designates Metric Conversions

Performance Data @ AHRI Standard Conditions—Cooling (con't.)

Model Numbers		80°F [26.5°C] DB/67°F [19.5°C] WB Indoor Air 95°F [35°C] DB Outdoor Air					Sound Rating dB	Indoor CFM [L/s]
Outdoor Unit 14AJM	Indoor Coil and/or Air Handler	Total Capacity BTU/H [kW]	Net Sensible BTU/H [kW]	Net Latent BTU/H [kW]	EER	SEER		
Rev. 4/5/13	RCFL-A*4824(RGRM-10?ZAJ?)	45,500 [13.3]	31,200 [9.1]	14,400 [4.2]	12.00	14.50	77	1,425 [672]
	RCFL-A*4824(RGRM-12?RAJ?)	46,000 [13.5]	31,400 [9.2]	14,400 [4.2]	12.50	15.00	77	1,425 [672]
	RCFL-A*4824(RGTM-07?RBG?)	45,500 [13.3]	30,600 [9.0]	15,000 [4.4]	12.50	15.10	77	1,325 [625]
	RCFL-A*4824(RGTM-09?ZAJ?)	45,500 [13.3]	31,200 [9.1]	14,600 [4.3]	12.50	15.00	77	1,400 [661]
	RCFL-A*4824(RGTM-10?RBJ?)	45,500 [13.3]	30,200 [8.8]	15,300 [4.5]	13.00	15.50	77	1,275 [602]
	RCFL-A*4824(RHWB-08WRX60A)	45,500 [13.3]	30,300 [8.9]	15,200 [4.5]	13.00	15.50	77	1,300 [613]
	RCFL-A*4824(RHWB-10WRX60A)	46,000 [13.5]	31,100 [9.1]	14,900 [4.4]	13.00	15.50	77	1,350 [637]
	RCFL-A*4824(ROCA-070E04)	45,500 [13.3]	30,800 [9.0]	14,600 [4.3]	12.00	14.50	77	1,400 [661]
	RCFL-A*4824(ROLA-070E04)	45,500 [13.3]	31,000 [9.1]	14,700 [4.3]	12.50	15.10	77	1,375 [649]
	RCFL-A*4824(ROLA-115E05)	46,000 [13.5]	31,200 [9.1]	14,600 [4.3]	12.50	15.10	77	1,400 [661]
	RCFL-A*4824+RXMD-C04	46,500 [13.6]	33,000 [9.7]	13,300 [3.9]	12.00	14.50	77	1,600 [755]
	RCFL-H*4821(RGFE-09?ZCM?)	45,500 [13.3]	31,000 [9.1]	14,600 [4.3]	12.00	14.50	77	1,400 [661]
	RCFL-H*4821(RGFE-10?ZCM?)	45,500 [13.3]	31,200 [9.1]	14,400 [4.2]	12.00	14.50	77	1,425 [672]
	RCFL-H*4821(RGFG-09NZCMS)	45,500 [13.3]	31,000 [9.1]	14,600 [4.3]	12.00	14.50	77	1,400 [661]
	RCFL-H*4821(RGFG-09EZCMS)	45,500 [13.3]	31,000 [9.1]	14,600 [4.3]	12.00	14.50	77	1,400 [661]
	RCFL-H*4821(RGFG-10EZCMS)	45,500 [13.3]	31,000 [9.1]	14,600 [4.3]	12.00	14.50	77	1,400 [661]
	RCFL-H*4821(RGFG-10NZCMS)	45,500 [13.3]	31,000 [9.1]	14,600 [4.3]	12.00	14.50	77	1,400 [661]
	RCFL-H*4821(RGGE-09?ZCM?)	45,500 [13.3]	31,200 [9.1]	14,600 [4.3]	12.50	15.00	77	1,400 [661]
	RCFL-H*4821(RGGE-10?ZCM?)	45,500 [13.3]	31,000 [9.1]	14,600 [4.3]	12.00	14.50	77	1,400 [661]
	RCFL-H*4821(RGJF-09?ZCM?)	45,500 [13.3]	31,200 [9.1]	14,600 [4.3]	12.50	15.00	77	1,400 [661]
	RCFL-H*4821(RGJF-10?ZCM?)	45,500 [13.3]	31,000 [9.1]	14,600 [4.3]	12.00	14.50	77	1,400 [661]
	RCFL-H*4821(RGLE-07?BRQ?)	46,000 [13.5]	31,400 [9.2]	14,600 [4.3]	12.50	15.10	77	1,400 [661]
	RCFL-H*4821(RGLE-10?BRM?)	46,000 [13.5]	31,400 [9.2]	14,600 [4.3]	13.00	15.50	77	1,400 [661]
	RCFL-H*4821(RGLT-07?AMK?)	45,500 [13.3]	30,600 [9.0]	15,000 [4.4]	13.00	15.50	77	1,325 [625]
	RCFL-H*4821(RGLT-07?BRQ?)	46,000 [13.5]	31,600 [9.3]	14,400 [4.2]	12.50	15.10	77	1,425 [672]
	RCFL-H*4821(RGLT-10?BRM?)	46,000 [13.5]	31,400 [9.2]	14,600 [4.3]	12.50	15.10	77	1,400 [661]
	RCFL-H*4821(RGPE-07?BRQ?)	46,000 [13.5]	31,400 [9.2]	14,600 [4.3]	12.50	15.10	77	1,400 [661]
	RCFL-H*4821(RGPE-10?BRM?)	46,500 [13.6]	32,800 [9.6]	13,600 [4.0]	12.50	15.10	77	1,550 [731]
	RCFL-H*4821(RGPT-07?AMK?)	45,000 [13.2]	30,200 [8.8]	15,000 [4.4]	12.00	14.50	77	1,325 [625]
	RCFL-H*4821(RGPT-07?BRQ?)	46,000 [13.5]	31,800 [9.3]	14,400 [4.2]	13.00	15.50	77	1,425 [672]
	RCFL-H*4821(RGPT-10?BRM?)	46,000 [13.5]	31,800 [9.3]	14,400 [4.2]	13.00	15.50	77	1,425 [672]
	RCFL-H*4821(RGRM-09?ZAJ?)	45,500 [13.3]	31,000 [9.1]	14,600 [4.3]	12.00	14.50	77	1,400 [661]
	RCFL-H*4821(RGRM-10?ZAJ?)	45,500 [13.3]	31,200 [9.1]	14,400 [4.2]	12.00	14.50	77	1,425 [672]
	RCFL-H*4821(RGTM-07?RBG?)	45,500 [13.3]	30,600 [9.0]	15,000 [4.4]	12.50	15.10	77	1,325 [625]
	RCFL-H*4821(RGTM-09?ZAJ?)	45,500 [13.3]	31,200 [9.1]	14,600 [4.3]	12.50	15.00	77	1,400 [661]
	RCFL-H*4821(RHWB-04WMX36A)	45,500 [13.3]	30,300 [8.9]	15,200 [4.5]	12.50	15.10	77	1,300 [613]
	RCFL-H*4821(RHWB-06WMX48A)	45,000 [13.2]	29,800 [8.7]	15,200 [4.5]	12.00	14.50	77	1,300 [613]
	RCFL-H*4821(ROCA-070E04)	45,500 [13.3]	30,800 [9.0]	14,600 [4.3]	12.00	14.50	77	1,400 [661]
	RCFL-H*4821(ROLA-070E04)	45,500 [13.3]	31,000 [9.1]	14,700 [4.3]	12.50	15.10	77	1,375 [649]
	RCFL-H*4821(ROLA-115E05)	46,000 [13.5]	31,200 [9.1]	14,600 [4.3]	12.50	15.10	77	1,400 [661]
	RCFL-H*4824(RGFE-09?ZCM?)	45,500 [13.3]	31,000 [9.1]	14,600 [4.3]	12.00	14.50	77	1,400 [661]
	RCFL-H*4824(RGFE-10?ZCM?)	45,500 [13.3]	31,200 [9.1]	14,400 [4.2]	12.00	14.50	77	1,425 [672]
	RCFL-H*4824(RGFE-12?RCM?)	46,000 [13.5]	31,800 [9.3]	14,200 [4.2]	12.50	15.10	77	1,450 [684]
	RCFL-H*4824(RGFG-09NZCMS)	45,500 [13.3]	31,000 [9.1]	14,600 [4.3]	12.00	14.50	77	1,400 [661]
	RCFL-H*4824(RGFG-09EZCMS)	45,500 [13.3]	31,000 [9.1]	14,600 [4.3]	12.00	14.50	77	1,400 [661]
	RCFL-H*4824(RGFG-10EZCMS)	45,500 [13.3]	31,000 [9.1]	14,600 [4.3]	12.00	14.50	77	1,400 [661]
	RCFL-H*4824(RGFG-10NZCMS)	45,500 [13.3]	31,000 [9.1]	14,600 [4.3]	12.00	14.50	77	1,400 [661]
	RCFL-H*4824(RGFG-12NRCMS)	46,000 [13.5]	31,800 [9.3]	14,200 [4.2]	12.50	15.10	77	1,450 [684]
	RCFL-H*4824(RGFG-12ERCMS)	46,000 [13.5]	31,800 [9.3]	14,200 [4.2]	12.50	15.10	77	1,450 [684]
	RCFL-H*4824(RGGE-09?ZCM?)	45,500 [13.3]	31,200 [9.1]	14,600 [4.3]	12.50	15.00	77	1,400 [661]

① Highest sales volume tested combination required by D.O.E. test procedures.

[] Designates Metric Conversions

Performance Data @ AHRI Standard Conditions—Cooling (con't.)

Model Numbers		80°F [26.5°C] DB/67°F [19.5°C] WB Indoor Air 95°F [35°C] DB Outdoor Air					Sound Rating dB	Indoor CFM [L/s]		
Outdoor Unit 14AJM	Indoor Coil and/or Air Handler	Total Capacity BTU/H [kW]	Net Sensible BTU/H [kW]	Net Latent BTU/H [kW]	EER	SEER				
49	Rev. 4/5/13	RCQD-4824(RGJF-09?ZCM?)	47,500 [13.9]	35,800 [10.5]	11,800 [3.5]	13.00	15.50	77	1,400 [661]	
		RCQD-4824(RGJF-10?ZCM?)	47,500 [13.9]	35,800 [10.5]	11,800 [3.5]	13.00	15.50	77	1,400 [661]	
		RCQD-4824(RGJF-12?RCM?)	47,500 [13.9]	35,800 [10.5]	12,000 [3.5]	13.00	16.00	77	1,375 [649]	
		RCQD-4824(RGPE-07?BRQ?)	48,000 [14.1]	36,000 [10.5]	11,800 [3.5]	13.00	16.00	77	1,400 [661]	
		RCQD-4824(RGPE-10?BRM?)	48,000 [14.1]	37,300 [10.9]	10,700 [3.1]	13.00	15.50	77	1,550 [731]	
		RCQD-4824(RGPE-12?ARM?)	48,500 [14.2]	37,400 [11.0]	10,900 [3.2]	13.00	16.00	77	1,525 [720]	
		RCQD-4824(RGPT-07?BRQ?)	48,000 [14.1]	37,000 [10.8]	11,300 [3.3]	13.00	16.00	77	1,475 [696]	
		RCQD-4824(RGPT-10?BRM?)	48,000 [14.1]	36,600 [10.7]	11,500 [3.4]	13.00	16.00	77	1,450 [684]	
		RCQD-4824(RGPT-12?ARM?)	48,000 [14.1]	36,200 [10.6]	11,800 [3.5]	13.00	16.00	77	1,400 [661]	
		RCQD-4824(RGRM-09?ZAJ?)	47,500 [13.9]	35,600 [10.4]	11,800 [3.5]	12.50	15.10	77	1,400 [661]	
		RCQD-4824(RGRM-10?ZAJ?)	47,000 [13.8]	35,400 [10.4]	11,600 [3.4]	12.50	15.00	77	1,425 [672]	
		RCQD-4824(RGRM-12?RAJ?)	47,500 [13.9]	36,000 [10.5]	11,600 [3.4]	13.00	15.50	77	1,425 [672]	
		RCQD-4824(RGTM-07?RBG?)	47,500 [13.9]	35,200 [10.3]	12,300 [3.6]	13.00	16.00	77	1,325 [625]	
		RCQD-4824(RGTM-09?ZAJ?)	48,000 [14.1]	37,300 [10.9]	10,700 [3.1]	12.50	15.10	77	1,550 [731]	
		RCQD-4824(RGTM-10?RBJ?)	48,000 [14.1]	36,200 [10.6]	11,600 [3.4]	13.00	16.00	77	1,425 [672]	
		RCQD-4824(RHWP-08WRX60A)	46,000 [13.5]	34,650 [10.2]	11,350 [3.3]	12.50	15.10	77	1,475 [696]	
		RCQD-4824(RHWP-10WRX60A)	46,000 [13.5]	34,400 [10.1]	11,600 [3.4]	12.50	15.10	77	1,425 [672]	
		RCQD-4824(ROCA-070E04)	47,500 [13.9]	35,600 [10.4]	11,800 [3.5]	12.50	15.10	77	1,400 [661]	
		RCQD-4824(ROLA-070E04)	47,500 [13.9]	35,600 [10.4]	12,000 [3.5]	13.00	16.00	77	1,375 [649]	
		RCQD-4824(ROLA-115E05)	47,500 [13.9]	35,700 [10.5]	11,800 [3.5]	13.00	15.50	77	1,400 [661]	
		RCQD-4824+RXMD-C04	48,000 [14.1]	37,800 [11.1]	10,400 [3.0]	12.00	14.50	77	1,600 [755]	
		RHKL-HM4821(RCSL-H*4821)	46,000 [13.5]	31,400 [9.2]	14,600 [4.3]	13.00	16.00	77	1,400 [661]	
		RHLL-HM4821(RCSL-H*4821)	46,000 [13.5]	31,400 [9.2]	14,600 [4.3]	13.00	16.00	77	1,400 [661]	
		RHSL-HM4821(RCSL-H*4821)	46,000 [13.5]	32,400 [9.5]	13,600 [4.0]	12.00	14.50	77	1,550 [731]	
		RHKL-HM4824(RCSL-H*4824)	47,000 [13.8]	33,700 [9.9]	13,300 [3.9]	13.00	16.00	77	1,625 [767]	
		RHLL-HM4824(RCSL-H*4824)	47,000 [13.8]	33,700 [9.9]	13,300 [3.9]	13.00	16.00	77	1,625 [767]	
		RHSL-HM4824(RCSL-H*4824)	46,000 [13.5]	32,400 [9.5]	13,600 [4.0]	12.00	14.50	77	1,550 [731]	
		RHPN-HM4824(RCSN-H*4824)	50,500 [14.8]	39,500 [11.6]	11,000 [3.2]	13.00	16.00	77	1,600 [755]	
	56		RCFL-A*6024+RXMD-C04 ①	52,500 [15.4]	37,500 [11.0]	15,000 [4.4]	12.00	14.50	77	1,525 [720]
			RCFL-A*6024	53,000 [15.5]	37,800 [11.1]	15,200 [4.5]	12.00	14.50	77	1,525 [720]
			RCFL-A*6024(RGFE-09?ZCM?)	52,000 [15.2]	36,100 [10.6]	15,900 [4.7]	12.00	14.50	77	1,400 [661]
			RCFL-A*6024(RGFE-10?ZCM?)	52,500 [15.4]	36,700 [10.8]	15,800 [4.6]	12.00	14.50	77	1,425 [672]
			RCFL-A*6024(RGFE-12?RCM?)	52,500 [15.4]	36,900 [10.8]	15,600 [4.6]	12.00	14.50	77	1,450 [684]
		RCFL-A*6024(RGFG-09NZCMS)	52,000 [15.2]	36,100 [10.6]	15,900 [4.7]	12.00	14.50	77	1,400 [661]	
		RCFL-A*6024(RGFG-09EZCMS)	52,000 [15.2]	36,100 [10.6]	15,900 [4.7]	12.00	14.50	77	1,400 [661]	
		RCFL-A*6024(RGFG-10EZCMS)	52,000 [15.2]	36,100 [10.6]	15,900 [4.7]	12.00	14.50	77	1,400 [661]	
		RCFL-A*6024(RGFG-10NZCMS)	52,000 [15.2]	36,100 [10.6]	15,900 [4.7]	12.00	14.50	77	1,400 [661]	
		RCFL-A*6024(RGFG-12NRCMS)	52,500 [15.4]	36,900 [10.8]	15,600 [4.6]	12.00	14.50	77	1,450 [684]	
		RCFL-A*6024(RGFG-12ERCMS)	52,500 [15.4]	36,900 [10.8]	15,600 [4.6]	12.00	14.50	77	1,450 [684]	
		RCFL-A*6024(RGGE-09?ZCM?)	52,500 [15.4]	36,600 [10.7]	15,900 [4.7]	12.00	14.50	77	1,400 [661]	
		RCFL-A*6024(RGGE-10?ZCM?)	52,500 [15.4]	36,600 [10.7]	15,900 [4.7]	12.00	14.50	77	1,400 [661]	
		RCFL-A*6024(RGGE-12?RCM?)	53,500 [15.7]	38,650 [11.3]	14,850 [4.4]	12.00	14.50	77	1,575 [743]	
		RCFL-A*6024(RGLE-07?BRQ?)	53,500 [15.7]	38,900 [11.4]	14,600 [4.3]	12.00	14.50	77	1,600 [755]	
		RCFL-A*6024(RGLE-10?BRM?)	53,500 [15.7]	38,800 [11.4]	14,700 [4.3]	12.50	15.00	77	1,600 [755]	
		RCFL-A*6024(RGLE-12?ARM?)	53,500 [15.7]	38,200 [11.2]	15,300 [4.5]	12.50	15.10	77	1,525 [720]	
		RCFL-A*6024(RGLT-07?BRQ?)	53,000 [15.5]	37,400 [11.0]	15,600 [4.6]	12.50	15.10	77	1,450 [684]	
		RCFL-A*6024(RGLT-10?BRM?)	53,000 [15.5]	37,400 [11.0]	15,600 [4.6]	12.50	15.10	77	1,450 [684]	
		RCFL-A*6024(RGLT-12?ARM?)	54,000 [15.8]	40,100 [11.7]	13,900 [4.1]	12.00	14.50	77	1,700 [802]	
		RCFL-A*6024(RGPE-07?BRQ?)	52,500 [15.4]	34,700 [10.2]	17,800 [5.2]	12.50	15.10	77	1,400 [661]	
		RCFL-A*6024(RGPE-10?BRM?)	52,500 [15.4]	34,700 [10.2]	17,800 [5.2]	12.50	15.10	77	1,400 [661]	

① Highest sales volume tested combination required by D.O.E. test procedures.

[] Designates Metric Conversions

Performance Data @ AHRI Standard Conditions—Cooling (con't.)

Model Numbers		80°F [26.5°C] DB/67°F [19.5°C] WB Indoor Air 95°F [35°C] DB Outdoor Air					Sound Rating dB	Indoor CFM [L/s]
Outdoor Unit 14AJM	Indoor Coil and/or Air Handler	Total Capacity BTU/H [kW]	Net Sensible BTU/H [kW]	Net Latent BTU/H [kW]	EER	SEER		
Rev. 4/5/13	RCFL-A*6024(RGPE-12?ARM?)	53,500 [15.7]	38,200 [11.2]	15,300 [4.5]	12.50	15.10	77	1,525 [720]
	RCFL-A*6024(RGPT-07?BRQ?)	53,000 [15.5]	35,600 [10.4]	17,400 [5.1]	12.50	15.10	77	1,450 [684]
	RCFL-A*6024(RGPT-10?BRM?)	53,000 [15.5]	35,600 [10.4]	17,400 [5.1]	12.50	15.10	77	1,450 [684]
	RCFL-A*6024(RGPT-12?ARM?)	54,000 [15.8]	40,100 [11.7]	13,900 [4.1]	12.00	14.50	77	1,700 [802]
	RCFL-A*6024(RGRM-12?RAJ?)	52,500 [15.4]	36,700 [10.8]	15,800 [4.6]	12.00	14.50	77	1,425 [672]
	RCFL-A*6024(RGTM-07?RBG?)	53,000 [15.5]	37,600 [11.0]	15,400 [4.5]	12.00	14.50	77	1,475 [696]
	RCFL-A*6024(RGTM-09?ZAJ?)	52,500 [15.4]	36,600 [10.7]	15,900 [4.7]	12.00	14.50	77	1,400 [661]
	RCFL-A*6024(RGTM-10?RBJ?)	52,500 [15.4]	36,700 [10.8]	15,800 [4.6]	12.50	15.10	77	1,425 [672]
	RCFL-A*6024(RHWP-08WRX60A)	54,000 [15.8]	39,900 [11.7]	14,100 [4.1]	12.00	14.50	77	1,650 [779]
	RCFL-A*6024(RHWP-10WRX60A)	53,500 [15.7]	38,500 [11.3]	15,000 [4.4]	12.50	15.10	77	1,500 [708]
	RCFL-A*6024(ROLA-070E04)	52,500 [15.4]	36,400 [10.7]	16,100 [4.7]	12.50	15.00	77	1,375 [649]
	RCFL-A*6024(ROLA-115E05)	53,000 [15.5]	37,800 [11.1]	15,200 [4.5]	12.00	14.50	77	1,500 [708]
	RCFL-H*6024	52,500 [15.4]	37,450 [11.0]	15,050 [4.4]	12.50	14.50	77	1,525 [720]
	RCFL-H*6024(RGFE-09?ZCM?)	52,000 [15.2]	36,100 [10.6]	15,900 [4.7]	12.00	14.50	77	1,400 [661]
	RCFL-H*6024(RGFE-10?ZCM?)	52,500 [15.4]	36,700 [10.8]	15,800 [4.6]	12.00	14.50	77	1,425 [672]
	RCFL-H*6024(RGFE-12?RCM?)	52,500 [15.4]	36,900 [10.8]	15,600 [4.6]	12.00	14.50	77	1,450 [684]
	RCFL-H*6024(RGFG-09NZCMS)	52,000 [15.2]	36,100 [10.6]	15,900 [4.7]	12.00	14.50	77	1,400 [661]
	RCFL-H*6024(RGFG-09EZCMS)	52,000 [15.2]	36,100 [10.6]	15,900 [4.7]	12.00	14.50	77	1,400 [661]
	RCFL-H*6024(RGFG-10EZCMS)	52,000 [15.2]	36,100 [10.6]	15,900 [4.7]	12.00	14.50	77	1,400 [661]
	RCFL-H*6024(RGFG-10NZCMS)	52,000 [15.2]	36,100 [10.6]	15,900 [4.7]	12.00	14.50	77	1,400 [661]
	RCFL-H*6024(RGFG-12NRCMS)	52,500 [15.4]	36,900 [10.8]	15,600 [4.6]	12.00	14.50	77	1,450 [684]
	RCFL-H*6024(RGFG-12ERCMS)	52,500 [15.4]	36,900 [10.8]	15,600 [4.6]	12.00	14.50	77	1,450 [684]
	RCFL-H*6024(RGGE-09?ZCM?)	52,500 [15.4]	36,600 [10.7]	15,900 [4.7]	12.00	14.50	77	1,400 [661]
	RCFL-H*6024(RGGE-10?ZCM?)	52,500 [15.4]	36,600 [10.7]	15,900 [4.7]	12.00	14.50	77	1,400 [661]
	RCFL-H*6024(RGGE-12?RCM?)	53,500 [15.7]	38,650 [11.3]	14,850 [4.4]	12.00	14.50	77	1,575 [743]
	RCFL-H*6024(RGJF-09?ZCM?)	52,500 [15.4]	36,600 [10.7]	15,900 [4.7]	12.00	14.50	77	1,400 [661]
	RCFL-H*6024(RGJF-10?ZCM?)	52,500 [15.4]	36,600 [10.7]	15,900 [4.7]	12.00	14.50	77	1,400 [661]
	RCFL-H*6024(RGJF-12?RCM?)	53,500 [15.7]	38,650 [11.3]	14,850 [4.4]	12.00	14.50	77	1,575 [743]
	RCFL-H*6024(RGLE-07?BRQ?)	53,500 [15.7]	38,900 [11.4]	14,600 [4.3]	12.00	14.50	77	1,600 [755]
	RCFL-H*6024(RGLE-10?BRM?)	53,500 [15.7]	38,800 [11.4]	14,700 [4.3]	12.50	15.00	77	1,600 [755]
	RCFL-H*6024(RGLE-12?ARM?)	53,500 [15.7]	38,200 [11.2]	15,300 [4.5]	12.50	15.10	77	1,525 [720]
	RCFL-H*6024(RGLT-07?BRQ?)	53,000 [15.5]	37,400 [11.0]	15,600 [4.6]	12.50	15.10	77	1,450 [684]
	RCFL-H*6024(RGLT-10?BRM?)	53,000 [15.5]	37,400 [11.0]	15,600 [4.6]	12.50	15.10	77	1,450 [684]
	RCFL-H*6024(RGLT-12?ARM?)	54,000 [15.8]	40,100 [11.7]	13,900 [4.1]	12.00	14.50	77	1,700 [802]
	RCFL-H*6024(RGPE-07?BRQ?)	52,500 [15.4]	34,700 [10.2]	17,800 [5.2]	12.50	15.10	77	1,400 [661]
	RCFL-H*6024(RGPE-10?BRM?)	52,500 [15.4]	34,700 [10.2]	17,800 [5.2]	12.50	15.10	77	1,400 [661]
	RCFL-H*6024(RGPE-12?ARM?)	53,500 [15.7]	38,200 [11.2]	15,300 [4.5]	12.50	15.10	77	1,525 [720]
	RCFL-H*6024(RGPT-07?BRQ?)	53,000 [15.5]	35,600 [10.4]	17,400 [5.1]	12.50	15.10	77	1,450 [684]
	RCFL-H*6024(RGPT-10?BRM?)	53,000 [15.5]	35,600 [10.4]	17,400 [5.1]	12.50	15.10	77	1,450 [684]
	RCFL-H*6024(RGPT-12?ARM?)	54,000 [15.8]	40,100 [11.7]	13,900 [4.1]	12.00	14.50	77	1,700 [802]
	RCFL-H*6024(RGRM-12?RAJ?)	53,000 [15.5]	38,000 [11.1]	15,000 [4.4]	12.00	14.50	77	1,550 [731]
	RCFL-H*6024(RGTM-07?RBG?)	53,000 [15.5]	37,600 [11.0]	15,400 [4.5]	12.00	14.50	77	1,475 [696]
	RCFL-H*6024(RGTM-09?ZAJ?)	52,500 [15.4]	36,600 [10.7]	15,900 [4.7]	12.00	14.50	77	1,400 [661]
	RCFL-H*6024(RGTM-10?RBJ?)	52,500 [15.4]	36,700 [10.8]	15,800 [4.6]	12.50	15.10	77	1,425 [672]
	RCFL-H*6024(RHWP-08WRX60A)	54,000 [15.8]	39,900 [11.7]	14,100 [4.1]	12.00	14.50	77	1,650 [779]
	RCFL-H*6024(RHWP-10WRX60A)	53,500 [15.7]	38,500 [11.3]	15,000 [4.4]	12.50	15.10	77	1,500 [708]
	RCFL-H*6024(ROLA-070E04)	52,500 [15.4]	36,400 [10.7]	16,100 [4.7]	12.50	15.00	77	1,375 [649]
	RCFL-H*6024(ROLA-115E05)	53,000 [15.5]	37,800 [11.1]	15,200 [4.5]	12.00	14.50	77	1,500 [708]
	RCFN-H*6024(RGFE-09?ZCM?)	52,000 [15.2]	36,100 [10.6]	15,900 [4.7]	12.00	14.50	77	1,400 [661]
	RCFN-H*6024(RGFE-10?ZCM?)	52,500 [15.4]	36,700 [10.8]	15,800 [4.6]	12.00	14.50	77	1,425 [672]

56

① Highest sales volume tested combination required by D.O.E. test procedures.

[] Designates Metric Conversions

Performance Data @ AHRI Standard Conditions—Cooling (con't.)

Model Numbers		80°F [26.5°C] DB/67°F [19.5°C] WB Indoor Air 95°F [35°C] DB Outdoor Air					Sound Rating dB	Indoor CFM [L/s]
Outdoor Unit 14AJM	Indoor Coil and/or Air Handler	Total Capacity BTU/H [kW]	Net Sensible BTU/H [kW]	Net Latent BTU/H [kW]	EER	SEER		
Rev. 4/5/13	RCFN-H*6024(RGFE-12?RCM?)	52,500 [15.4]	36,900 [10.8]	15,600 [4.6]	12.00	14.50	77	1,450 [684]
	RCFN-H*6024(RGFG-09NZCMS)	52,000 [15.2]	36,100 [10.6]	15,900 [4.7]	12.00	14.50	77	1,400 [661]
	RCFN-H*6024(RGFG-09EZCMS)	52,000 [15.2]	36,100 [10.6]	15,900 [4.7]	12.00	14.50	77	1,400 [661]
	RCFN-H*6024(RGFG-10EZCMS)	52,000 [15.2]	36,100 [10.6]	15,900 [4.7]	12.00	14.50	77	1,400 [661]
	RCFN-H*6024(RGFG-10NZCMS)	52,000 [15.2]	36,100 [10.6]	15,900 [4.7]	12.00	14.50	77	1,400 [661]
	RCFN-H*6024(RGFG-12NRCMS)	52,500 [15.4]	36,900 [10.8]	15,600 [4.6]	12.00	14.50	77	1,450 [684]
	RCFN-H*6024(RGFG-12ERCMS)	52,500 [15.4]	36,900 [10.8]	15,600 [4.6]	12.00	14.50	77	1,450 [684]
	RCFN-H*6024(RGGE-09?ZCM?)	52,500 [15.4]	36,600 [10.7]	15,900 [4.7]	12.00	14.50	77	1,400 [661]
	RCFN-H*6024(RGGE-10?ZCM?)	52,500 [15.4]	36,600 [10.7]	15,900 [4.7]	12.00	14.50	77	1,400 [661]
	RCFN-H*6024(RGGE-12?RCM?)	52,500 [15.4]	36,400 [10.7]	16,100 [4.7]	12.50	15.10	77	1,375 [649]
	RCFN-H*6024(RGJF-09?ZCM?)	52,500 [15.4]	36,600 [10.7]	15,900 [4.7]	12.00	14.50	77	1,400 [661]
	RCFN-H*6024(RGJF-10?ZCM?)	52,500 [15.4]	36,600 [10.7]	15,900 [4.7]	12.00	14.50	77	1,400 [661]
	RCFN-H*6024(RGJF-12?RCM?)	52,500 [15.4]	36,400 [10.7]	16,100 [4.7]	12.50	15.10	77	1,375 [649]
	RCFN-H*6024(RGLE-07?BRQ?)	52,500 [15.4]	36,600 [10.7]	15,900 [4.7]	12.50	15.10	77	1,400 [661]
	RCFN-H*6024(RGLE-10?BRM?)	53,500 [15.7]	38,500 [11.3]	15,000 [4.4]	12.50	15.10	77	1,500 [708]
	RCFN-H*6024(RGLE-12?ARM?)	53,500 [15.7]	38,500 [11.3]	15,000 [4.4]	12.50	15.10	77	1,525 [720]
	RCFN-H*6024(RGLT-07?BRQ?)	53,000 [15.5]	37,400 [11.0]	15,600 [4.6]	12.50	15.10	77	1,450 [684]
	RCFN-H*6024(RGLT-10?BRM?)	53,000 [15.5]	37,400 [11.0]	15,600 [4.6]	12.50	15.10	77	1,450 [684]
	RCFN-H*6024(RGLT-12?ARM?)	54,000 [15.8]	40,100 [11.7]	13,900 [4.1]	12.00	14.50	77	1,700 [802]
	RCFN-H*6024(RGPE-07?BRQ?)	52,500 [15.4]	34,700 [10.2]	17,800 [5.2]	12.50	15.10	77	1,400 [661]
	RCFN-H*6024(RGPE-10?BRM?)	52,500 [15.4]	36,600 [10.7]	15,900 [4.7]	12.50	15.10	77	1,400 [661]
	RCFN-H*6024(RGPE-12?ARM?)	53,500 [15.7]	38,500 [11.3]	15,000 [4.4]	12.50	15.10	77	1,525 [720]
	RCFN-H*6024(RGPT-07?BRQ?)	53,000 [15.5]	35,600 [10.4]	17,400 [5.1]	12.50	15.10	77	1,450 [684]
	RCFN-H*6024(RGPT-10?BRM?)	54,000 [15.8]	40,150 [11.8]	13,850 [4.1]	12.00	14.50	77	1,700 [802]
	RCFN-H*6024(RGPT-12?ARM?)	54,000 [15.8]	40,100 [11.7]	13,900 [4.1]	12.00	14.50	77	1,700 [802]
	RCFN-H*6024(RGRM-12?RAJ?)	53,000 [15.5]	38,000 [11.1]	15,000 [4.4]	12.00	14.50	77	1,550 [731]
	RCFN-H*6024(RGTM-07?RBG?)	53,000 [15.5]	37,600 [11.0]	15,400 [4.5]	12.00	14.50	77	1,475 [696]
	RCFN-H*6024(RGTM-09?ZAJ?)	52,500 [15.4]	36,600 [10.7]	15,900 [4.7]	12.00	14.50	77	1,400 [661]
	RCFN-H*6024(RGTM-10?RBJ?)	52,500 [15.4]	36,700 [10.8]	15,800 [4.6]	12.50	15.10	77	1,425 [672]
	RCFN-H*6024(RHWP-08WRX60A)	54,000 [15.8]	39,900 [11.7]	14,100 [4.1]	12.00	14.50	77	1,650 [779]
	RCFN-H*6024(RHWP-10WRX60A)	53,500 [15.7]	38,500 [11.3]	15,000 [4.4]	12.50	15.10	77	1,500 [708]
	RCFN-H*6024(ROLA-070E04)	52,500 [15.4]	36,400 [10.7]	16,100 [4.7]	12.50	15.00	77	1,375 [649]
	RCFN-H*6024(ROLA-115E05)	53,000 [15.5]	37,800 [11.1]	15,200 [4.5]	12.00	14.50	77	1,500 [708]
	RCFN-H*6024+RXMD-C04	53,000 [15.5]	38,000 [11.1]	15,000 [4.4]	12.00	14.50	77	1,525 [720]
	RBHP-24(RCHL-48A1)	49,500 [14.5]	33,950 [9.9]	15,550 [4.6]	11.50	14.00	77	1,600 [755]
	RBHP-25(RCHL-60A1)	50,000 [14.6]	35,900 [10.5]	14,100 [4.1]	11.50	14.00	77	1,800 [849]
	RCQD-6024	49,000 [14.4]	34,100 [10.0]	14,900 [4.4]	11.00	13.50	77	1,600 [755]
	RCQD-6024(RGFE-09?ZCM?)	48,500 [14.2]	32,100 [9.4]	16,400 [4.8]	11.50	14.00	77	1,400 [661]
	RCQD-6024(RGFE-10?ZCM?)	49,000 [14.4]	32,800 [9.6]	16,200 [4.7]	11.50	14.00	77	1,425 [672]
	RCQD-6024(RGFE-12?RCM?)	49,000 [14.4]	32,900 [9.6]	16,100 [4.7]	11.50	14.00	77	1,450 [684]
RCQD-6024(RGFG-09NZCMS)	49,000 [14.4]	33,450 [9.8]	15,550 [4.6]	11.50	14.00	77	1,400 [661]	
RCQD-6024(RGFG-09EZCMS)	49,000 [14.4]	33,450 [9.8]	15,550 [4.6]	11.50	14.00	77	1,400 [661]	
RCQD-6024(RGFG-10EZCMS)	49,000 [14.4]	33,450 [9.8]	15,550 [4.6]	11.50	14.00	77	1,400 [661]	
RCQD-6024(RGFG-10NZCMS)	49,000 [14.4]	33,450 [9.8]	15,550 [4.6]	11.50	14.00	77	1,400 [661]	
RCQD-6024(RGFG-12NRCMS)	49,500 [14.5]	34,200 [10.0]	15,300 [4.5]	12.00	14.50	77	1,450 [684]	
RCQD-6024(RGFG-12ERCMS)	49,500 [14.5]	34,200 [10.0]	15,300 [4.5]	12.00	14.50	77	1,450 [684]	
RCQD-6024(RGJF-09?ZCM?)	49,000 [14.4]	32,550 [9.5]	16,450 [4.8]	11.50	14.00	77	1,400 [661]	
RCQD-6024(RGJF-10?ZCM?)	49,000 [14.4]	32,600 [9.6]	16,400 [4.8]	11.50	14.00	77	1,400 [661]	
RCQD-6024(RGJF-12?RCM?)	50,000 [14.6]	34,900 [10.2]	15,100 [4.4]	11.50	14.00	77	1,575 [743]	
RCQD-6024(RGPE-07?BRQ?)	49,000 [14.4]	32,500 [9.5]	16,500 [4.8]	12.00	14.50	77	1,400 [661]	

56

Ⓢ Highest sales volume tested combination required by D.O.E. test procedures.

[] Designates Metric Conversions

Performance Data @ AHRI Standard Conditions—Cooling (con't.)

Model Numbers		80°F [26.5°C] DB/67°F [19.5°C] WB Indoor Air 95°F [35°C] DB Outdoor Air					Sound Rating dB	Indoor CFM [L/s]	
Outdoor Unit 14AJM	Indoor Coil and/or Air Handler	Total Capacity BTU/H [kW]	Net Sensible BTU/H [kW]	Net Latent BTU/H [kW]	EER	SEER			
Rev. 4/5/13	RCQD-6024(RGPE-10?BRM?)	49,000 [14.4]	32,500 [9.5]	16,500 [4.8]	12.00	14.50	77	1,400 [661]	
	RCQD-6024(RGPE-12?ARM?)	49,500 [14.5]	33,150 [9.7]	16,350 [4.8]	12.00	14.50	77	1,425 [672]	
56	RCQD-6024(RGPT-10?BRM?)	49,000 [14.4]	33,900 [9.9]	15,100 [4.4]	11.50	14.00	77	1,450 [684]	
	RCQD-6024(RGPT-12?ARM?)	48,500 [14.2]	33,000 [9.7]	15,500 [4.5]	12.00	14.50	77	1,400 [661]	
	RCQD-6024(RGRM-09?ZAJ?)	49,500 [14.5]	34,600 [10.1]	14,900 [4.4]	11.50	13.50	77	1,525 [720]	
	RCQD-6024(RGRM-10?ZAJ?)	49,500 [14.5]	34,600 [10.1]	14,900 [4.4]	11.50	13.50	77	1,525 [720]	
	RCQD-6024(RGRM-12?RAJ?)	49,000 [14.4]	32,750 [9.6]	16,250 [4.8]	11.50	14.00	77	1,425 [672]	
	RCQD-6024(RGTM-07?RBG?)	50,000 [14.6]	34,700 [10.2]	15,300 [4.5]	11.50	14.00	77	1,475 [696]	
	RCQD-6024(RGTM-09?ZAJ?)	50,000 [14.6]	35,100 [10.3]	14,900 [4.4]	11.50	14.00	77	1,550 [731]	
	RCQD-6024(RGTM-10?RBJ?)	50,000 [14.6]	34,400 [10.1]	15,600 [4.6]	12.00	14.50	77	1,425 [672]	
	RCQD-6024(RHWP-08WRX60A)	50,500 [14.8]	35,200 [10.3]	15,300 [4.5]	12.00	14.50	77	1,475 [696]	
	RCQD-6024(RHWP-10WRX60A)	50,000 [14.6]	34,700 [10.2]	15,300 [4.5]	12.50	15.00	77	1,425 [672]	
	RCQD-6024(ROCA-070E04)	49,500 [14.5]	33,700 [9.9]	15,800 [4.6]	11.50	13.50	77	1,400 [661]	
	RCQD-6024(ROLA-070E04)	48,500 [14.2]	32,950 [9.7]	15,550 [4.6]	11.50	14.00	77	1,375 [649]	
	RCQD-6024(ROLA-115E05)	49,000 [14.4]	34,450 [10.1]	14,550 [4.3]	11.50	14.00	77	1,500 [708]	
	RHKL-HM6024(RCSL-H*6024)	54,000 [15.8]	38,800 [11.4]	15,200 [4.5]	13.00	15.50	77	1,600 [755]	
	RHLL-HM6024(RCSL-H*6024)	54,000 [15.8]	39,100 [11.5]	14,900 [4.4]	13.00	16.00	77	1,550 [731]	
	RHSL-HM6024(RCSL-H*6024)	53,500 [15.7]	39,800 [11.7]	13,700 [4.0]	11.50	13.50	77	1,800 [849]	
	60	RCFL-H*6024+RXMD-C04 ①	59,500 [17.4]	41,000 [12.0]	18,500 [5.4]	12.00	14.50	77	1,600 [755]
		RCFL-A*6024(RGLE-07?BRQ?)	59,500 [17.4]	41,000 [12.0]	18,500 [5.4]	12.00	14.50	77	1,600 [755]
RCFL-A*6024(RGLE-10?BRM?)		60,000 [17.6]	41,500 [12.2]	18,500 [5.4]	12.00	14.50	77	1,600 [755]	
RCFL-A*6024(RGLE-12?ARM?)		60,000 [17.6]	41,500 [12.2]	18,500 [5.4]	12.00	14.50	77	1,600 [755]	
RCFL-A*6024(RGLT-12?ARM?)		60,500 [17.7]	42,800 [12.5]	17,700 [5.2]	12.00	14.50	77	1,700 [802]	
RCFL-A*6024(RGPE-07?BRQ?)		59,500 [17.4]	41,000 [12.0]	18,500 [5.4]	12.00	14.50	77	1,600 [755]	
RCFL-A*6024(RGPE-10?BRM?)		59,500 [17.4]	41,000 [12.0]	18,500 [5.4]	12.00	14.50	77	1,625 [767]	
RCFL-A*6024(RGPE-12?ARM?)		60,000 [17.6]	41,500 [12.2]	18,500 [5.4]	12.00	14.50	77	1,625 [767]	
RCFL-A*6024(RGPT-10?BRM?)		60,000 [17.6]	42,500 [12.5]	17,500 [5.1]	12.00	14.50	77	1,700 [802]	
RCFL-A*6024(RGPT-12?ARM?)		60,500 [17.7]	42,800 [12.5]	17,700 [5.2]	12.00	14.50	77	1,700 [802]	
RCFL-A*6024(RHWP-08WRX60A)		60,000 [17.6]	41,900 [12.3]	18,100 [5.3]	12.00	14.50	77	1,650 [779]	
RCFL-A*6024(RHWP-10WRX60A)		60,500 [17.7]	42,800 [12.5]	17,700 [5.2]	12.00	14.50	77	1,700 [802]	
RCFL-A*6024+RXMD-C04		59,500 [17.4]	41,000 [12.0]	18,500 [5.4]	12.00	14.50	77	1,600 [755]	
RCFL-H*6024(RGLE-07?BRQ?)		59,500 [17.4]	41,000 [12.0]	18,500 [5.4]	12.00	14.50	77	1,600 [755]	
RCFL-H*6024(RGLE-10?BRM?)		60,000 [17.6]	41,500 [12.2]	18,500 [5.4]	12.00	14.50	77	1,600 [755]	
RCFL-H*6024(RGLE-12?ARM?)		60,000 [17.6]	41,500 [12.2]	18,500 [5.4]	12.00	14.50	77	1,600 [755]	
RCFL-H*6024(RGLT-10?BRM?)		60,000 [17.6]	42,500 [12.5]	17,700 [5.2]	12.00	14.50	77	1,700 [802]	
RCFL-H*6024(RGLT-12?ARM?)		60,500 [17.7]	42,800 [12.5]	17,700 [5.2]	12.00	14.50	77	1,700 [802]	
RCFL-H*6024(RGPE-07?BRQ?)		59,500 [17.4]	41,000 [12.0]	18,500 [5.4]	12.00	14.50	77	1,600 [755]	
RCFL-H*6024(RGPE-10?BRM?)		59,500 [17.4]	41,000 [12.0]	18,500 [5.4]	12.00	14.50	77	1,625 [767]	
RCFL-H*6024(RGPE-12?ARM?)		60,000 [17.6]	41,500 [12.2]	18,500 [5.4]	12.00	14.50	77	1,625 [767]	
RCFL-H*6024(RGPT-07?BRQ?)		60,000 [17.6]	42,500 [12.5]	17,500 [5.1]	12.00	14.50	77	1,700 [802]	
RCFL-H*6024(RGPT-10?BRM?)		60,000 [17.6]	42,500 [12.5]	17,500 [5.1]	12.00	14.50	77	1,700 [802]	
RCFL-H*6024(RGPT-12?ARM?)		60,500 [17.7]	42,800 [12.5]	17,700 [5.2]	12.00	14.50	77	1,700 [802]	
RCFL-H*6024(RHWP-08WRX60A)		60,000 [17.6]	41,900 [12.3]	18,100 [5.3]	12.00	14.50	77	1,650 [779]	
RCFL-H*6024(RHWP-10WRX60A)		60,500 [17.7]	42,800 [12.5]	17,700 [5.2]	12.00	14.50	77	1,700 [802]	
RCFN-H*6024(RGLE-07?BRQ?)		59,500 [17.4]	41,000 [12.0]	18,500 [5.4]	12.00	14.50	77	1,600 [755]	
RCFN-H*6024(RGLE-10?BRM?)		60,000 [17.6]	41,500 [12.2]	18,500 [5.4]	12.00	14.50	77	1,600 [755]	
RCFN-H*6024(RGLE-12?ARM?)		60,000 [17.6]	41,500 [12.2]	18,500 [5.4]	12.00	14.50	77	1,600 [755]	
RCFN-H*6024(RGLT-10?BRM?)		60,000 [17.6]	42,500 [12.5]	17,700 [5.2]	12.00	14.50	77	1,700 [802]	
RCFN-H*6024(RGLT-12?ARM?)	60,500 [17.7]	42,800 [12.5]	17,700 [5.2]	12.00	14.50	77	1,700 [802]		
RCFN-H*6024(RGPE-07?BRQ?)	59,500 [17.4]	41,000 [12.0]	18,500 [5.4]	12.00	14.50	77	1,600 [755]		

① Highest sales volume tested combination required by D.O.E. test procedures.

[] Designates Metric Conversions

Performance Data @ AHRI Standard Conditions—Cooling (con't.)

Model Numbers		80°F [26.5°C] DB/67°F [19.5°C] WB Indoor Air 95°F [35°C] DB Outdoor Air					Sound Rating dB	Indoor CFM [L/s]
Outdoor Unit 14AJM	Indoor Coil and/or Air Handler	Total Capacity BTU/H [kW]	Net Sensible BTU/H [kW]	Net Latent BTU/H [kW]	EER	SEER		
Rev. 4/5/13	RCFN-H*6024(RGPE-10?BRM?)	59,500 [17.4]	41,000 [12.0]	18,500 [5.4]	12.00	14.50	77	1,625 [767]
	RCFN-H*6024(RGPE-12?ARM?)	60,000 [17.6]	41,500 [12.2]	18,500 [5.4]	12.00	14.50	77	1,625 [767]
60	RCFN-H*6024(RGPT-07?BRQ?)	60,000 [17.6]	42,500 [12.5]	17,500 [5.1]	12.00	14.50	77	1,700 [802]
	RCFN-H*6024(RGPT-10?BRM?)	60,000 [17.6]	42,500 [12.5]	17,500 [5.1]	12.00	14.50	77	1,700 [802]
	RCFN-H*6024(RGPT-12?ARM?)	60,500 [17.7]	42,800 [12.5]	17,700 [5.2]	12.00	14.50	77	1,700 [802]
	RCFN-H*6024(RHWP-08WRX60A)	60,000 [17.6]	41,900 [12.3]	18,100 [5.3]	12.00	14.50	77	1,650 [779]
	RCFN-H*6024(RHWP-10WRX60A)	60,500 [17.7]	42,800 [12.5]	17,700 [5.2]	12.00	14.50	77	1,700 [802]
	RBHP-25(RCHL-60A1)	54,500 [16.0]	35,000 [10.3]	19,500 [5.7]	11.50	14.00	77	1,800 [849]
	RCQD-6024(RGFE-12?RCM?)	58,000 [17.0]	39,500 [11.6]	18,500 [5.4]	11.00	13.50	77	1,625 [767]
	RCQD-6024(RGFG-12NRCMS)	58,000 [17.0]	39,500 [11.6]	18,500 [5.4]	11.00	13.50	77	1,625 [767]
	RCQD-6024(RGFG-12ERCMS)	58,000 [17.0]	39,500 [11.6]	18,500 [5.4]	11.00	13.50	77	1,625 [767]
	RCQD-6024(RGJF-09?ZCM?)	58,000 [17.0]	39,500 [11.6]	18,500 [5.4]	11.00	13.50	77	1,600 [755]
	RCQD-6024(RGJF-12?RCM?)	55,500 [16.3]	36,100 [10.6]	19,400 [5.7]	11.00	13.50	77	1,575 [743]
	RCQD-6024(RGPE-07?BRQ?)	58,000 [17.0]	39,500 [11.6]	18,500 [5.4]	11.00	13.50	77	1,600 [755]
	RCQD-6024(RGPE-10?BRM?)	58,000 [17.0]	39,500 [11.6]	18,500 [5.4]	11.00	13.50	77	1,625 [767]
	RCQD-6024(RGPE-12?ARM?)	56,000 [16.4]	38,000 [11.1]	18,000 [5.3]	11.50	14.00	77	1,625 [767]
	RCQD-6024(RGPT-07?BRQ?)	59,000 [17.3]	41,500 [12.2]	17,500 [5.1]	11.00	13.50	77	1,725 [814]
	RCQD-6024(RGPT-10?BRM?)	59,000 [17.3]	41,500 [12.2]	17,500 [5.1]	11.00	13.50	77	1,725 [814]
	RCQD-6024(RGPT-12?ARM?)	59,000 [17.3]	41,500 [12.2]	17,500 [5.1]	12.00	14.00	77	1,725 [814]
	RCQD-6024(RGRM-12?RAJ?)	58,000 [17.0]	39,500 [11.6]	18,500 [5.4]	11.00	13.50	77	1,625 [767]
	RCQD-6024(RGTM-07?RBG?)	58,000 [17.0]	40,000 [11.7]	18,000 [5.3]	11.00	13.50	77	1,675 [790]
	RCQD-6024(RGTM-10?RBJ?)	58,500 [17.1]	40,500 [11.9]	18,000 [5.3]	11.00	13.50	77	1,675 [790]
	RCQD-6024(RHWP-08WRX60A)	57,000 [16.7]	39,800 [11.7]	17,200 [5.0]	11.50	13.50	77	1,675 [790]
	RCQD-6024(RHWP-10WRX60A)	57,500 [16.8]	40,700 [11.9]	16,800 [4.9]	11.50	14.00	77	1,725 [814]
	RCQD-6024(ROLA-070E04)	58,000 [17.0]	39,500 [11.6]	18,500 [5.4]	11.00	13.50	77	1,600 [755]
	RCQD-6024(ROLA-115E05)	58,000 [17.0]	39,500 [11.6]	18,500 [5.4]	11.00	13.50	77	1,600 [755]
	RCQD-6024+RXMD-C04	56,500 [16.6]	39,500 [11.6]	17,000 [5.0]	11.00	13.50	77	1,600 [755]
	RHKL-HM6024(RCSL-H*6024)	61,500 [18.0]	44,000 [12.9]	17,500 [5.1]	12.50	15.00	77	1,800 [849]
	RHLL-HM6024(RCSL-H*6024)	61,500 [18.0]	44,000 [12.9]	17,500 [5.1]	12.50	15.00	77	1,800 [849]
	RHSL-HM6024(RCSL-H*6024)	60,000 [17.6]	42,850 [12.6]	17,150 [5.0]	11.50	13.50	77	1,750 [826]

① Highest sales volume tested combination required by D.O.E. test procedures.

[] Designates Metric Conversions

Electrical and Physical Data

Model Number 14AJM	ELECTRICAL							PHYSICAL						
	Phase Frequency (Hz) Voltage (Volts)	Compressor		Fan Motor Full Load Amperes (FLA)	Minimum Circuit Capacity Amperes	Fuse or HACR Circuit Breaker		Outdoor Coil			Refrig. Per Circuit Oz. [g]	Weight		
		Rated Load Amperes (RLA)	Locked Rotor Amperes (LRA)			Minimum Amperes	Maximum Amperes	Face Area Sq. Ft. [m ²]	No. Rows	CFM [L/s]		Net Lbs. [kg]	Shipping Lbs. [kg]	
Rev. 4/5/2013														
19	1-60-208/230	9/9	46	0.5	12/12	15/15	20/20	11.80 [1.1]	1	2805 [1324]	87 [2466]	140 [63.5]	157 [63.5]	
25	1-60-208/230	13.5/13.5	58.3	0.8	18/18	25/25	30/30	16.39 [1.52]	1	2805 [1324]	105.6 [2994]	154 [69.9]	171 [69.9]	
30	1-60-208/230	12.8/12.8	64	0.68	18/18	25/25	30/30	16.39 [1.52]	1	2915 [1376]	112 [3175]	157 [71.2]	175 [71.2]	
36	1-60-208/230	16.7/16.7	79	1.9	23/23	30/30	35/35	21.85 [2.03]	1	3435 [1621]	130.4 [3697]	181 [82.1]	201 [82.1]	
42	1-60-208/230	17.9/17.9	112	2.8	26/26	30/30	40/40	21.85 [2.03]	1	3550 [1675]	145.12 [4114]	205 [93]	225 [93]	
48	1-60-208/230	21.8/21.8	117	2.8	31/31	40/40	50/50	21.85 [2.03]	2	4310 [2034]	216 [6124]	249 [112.9]	269 [112.9]	
49	1-60-208/230	19.9/19.9	109	1.9	27/27	35/35	45/45	21.85 [2.03]	2	3615 [1706]	213 [6039]	249 [112.9]	269 [112.9]	
56	1-60-208/230	21.4/21.4	135	1.9	29/29	35/35	50/50	21.85 [2.03]	2	3615 [1706]	241 [6832]	254 [115.2]	274 [115.2]	
60	1-60-208/230	26.4/26.4	134	1.7	36/36	45/45	60/60	21.85 [2.03]	2	4310 [2034]	240 [6804]	254 [115.2]	274 [115.2]	

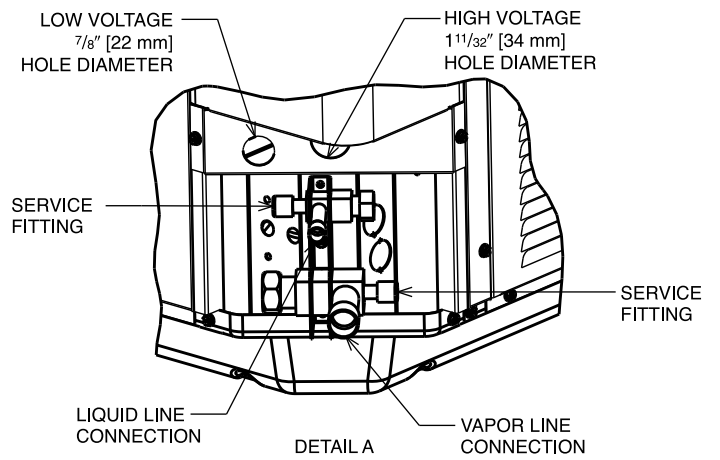
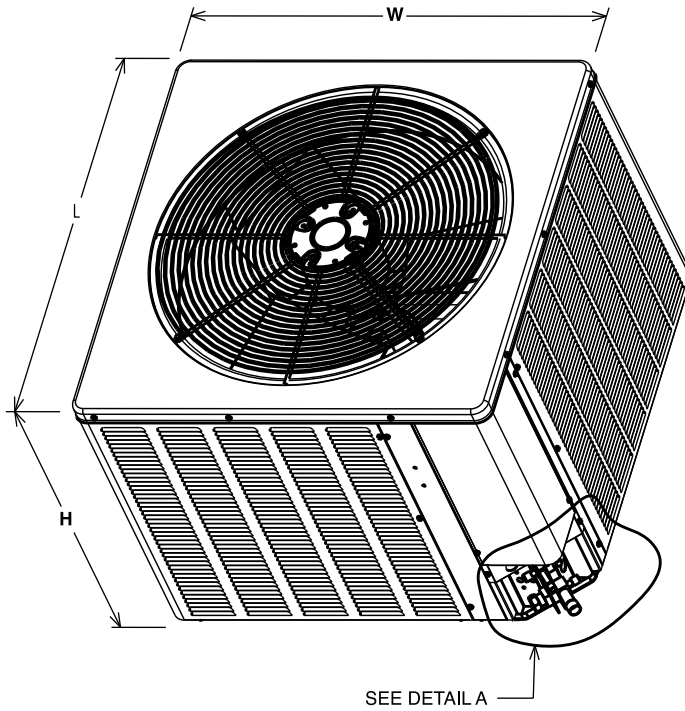
NOTE: Factory Refrigerant Charge includes refrigerant for 15 feet of standard line set.

[] Designates Metric Conversions

Unit Dimensions

Model No. 14AJM	Unit Dimensions		
	Width "W" Inches [mm]	Length "L" Inches [mm]	Height "H" Inches [mm]
19, 25	27 ⁵ / ₈ [702]	27 ⁵ / ₈ [702]	24 ¹ / ₄ [616]
30	31 ⁵ / ₈ [803]	31 ⁵ / ₈ [803]	27 ³ / ₈ [695]
36, 42, 48, 49, 56, 60	31 ⁵ / ₈ [803]	31 ⁵ / ₈ [803]	35 ³ / ₈ [899]

[] Designates Metric Conversions



NOTE: Illustrations show the deep drawn basepan.

Condensing Unit Refrigerant Line Size Information

Liquid Line Sizing (R-410A)														
System Capacity	Liquid Line Connection Size (Inch I.D.)	Line Size (Inch O.D.) [mm]	Liquid Line Size – Outdoor Unit Above Indoor Coil (Cooling Only—Does not apply to Heat Pumps)						Liquid Line Size – Outdoor Unit Below Indoor Coil					
			Total Equivalent Length—Feet [m]						Total Equivalent Length—Feet [m]					
			25 [7.62]	50 [15.24]	75 [22.86]	100 [30.48]	125 [38.10]	150 [45.72]	25 [7.62]	50 [15.24]	75 [22.86]	100 [30.48]	125 [38.10]	150 [45.72]
			Minimum Vertical Separation—Feet [m]						Maximum Vertical Separation—Feet [m]					
1 1/2 Ton	3/8" [9.53]	1/4 [6.35]	0	0	0	0	8 [2.44]	24 [7.32]	25 [7.62]	40 [12.19]	25 [7.62]	9 [2.74]	N/A	N/A
		5/16 [7.94]	0	0	0	0	0	0	25 [7.62]	50 [15.24]	62 [18.90]	58 [17.68]	53 [16.15]	49 [14.94]
		3/8* [9.53]	0	0	0	0	0	0	25 [7.62]	50 [15.24]	75 [22.86]	72 [21.95]	70 [21.34]	68 [20.73]
2 Ton	3/8" [9.53]	1/4 [6.35]	0	3 [0.91]	29 [8.84]	55 [16.76]	81 [24.69]	108 [32.92]	23 [7.01]	N/A	N/A	N/A	N/A	N/A
		5/16 [7.94]	0	0	0	0	0	0	25 [7.62]	36 [10.97]	29 [8.84]	23 [7.01]	16 [4.88]	9 [2.74]
		3/8* [9.53]	0	0	0	0	0	0	25 [7.62]	50 [15.24]	72 [21.95]	70 [21.34]	68 [20.73]	65 [19.81]
2 1/2 Ton	3/8" [9.53]	1/4 [6.35]	0	14 [4.27]	56 [17.07]	98 [29.87]	N/A	N/A	25 [7.62]	N/A	N/A	N/A	N/A	N/A
		5/16 [7.94]	0	0	0	0	0	0	25 [7.62]	49 [14.94]	38 [11.58]	27 [8.23]	17 [5.18]	6 [1.83]
		3/8* [9.53]	0	0	0	0	0	0	25 [7.62]	50 [15.24]	68 [20.73]	65 [19.81]	62 [18.90]	58 [17.68]
3 Ton	3/8" [9.53]	5/16 [7.94]	0	0	0	0	0	9 [2.74]	25 [7.62]	50 [15.24]	37 [11.28]	22 [6.71]	7 [2.13]	N/A
		3/8* [9.53]	0	0	0	0	0	0	25 [7.62]	50 [15.24]	68 [20.73]	63 [19.20]	58 [17.68]	53 [16.15]
3 1/2 Ton	3/8" [9.53]	5/16 [7.94]	0	0	0	16 [4.88]	35 [10.67]	54 [16.46]	25 [7.62]	23 [7.01]	4 [1.22]	N/A	N/A	N/A
		3/8* [9.53]	0	0	0	0	0	0	25 [7.62]	50 [15.24]	43 [13.11]	36 [10.97]	30 [9.14]	24 [7.32]
4 Ton	3/8" [9.53]	3/8* [9.53]	0	0	0	0	0	0	25 [7.62]	46 [14.02]	38 [11.58]	30 [9.14]	22 [6.71]	15 [4.57]
		1/2 [12.57]	0	0	0	0	0	0	25 [7.62]	50 [15.24]	56 [17.07]	55 [16.76]	53 [16.15]	52 [15.85]
5 Ton	3/8" [9.53]	3/8* [9.53]	0	0	0	0	0	0	25 [7.62]	50 [15.24]	56 [17.07]	44 [13.41]	32 [9.75]	20 [6.10]
		1/2 [12.57]	0	0	0	0	0	0	25 [7.62]	50 [15.24]	75 [22.86]	81 [24.69]	79 [24.08]	76 [23.16]

NOTES: *Standard line size
N/A = Application not recommended.

Suction Line Length/Size versus Capacity Multiplier (R-410A)									
Unit Size		1 1/2 Ton	2 Ton	2 1/2 Ton	3 Ton	3 1/2 Ton	4 Ton	5 Ton	
Suction Line Connection Size		3/4" [19.05] I.D.				7/8" [22.23] I.D.			
Suction Line Run—Feet [m]		5/8" [15.88 mm] O.D. Optional 3/4" [19.05 mm] O.D. Standard*		5/8" [15.88 mm] O.D. Optional 3/4" [19.05 mm] O.D. Standard* 7/8" [22.23 mm] O.D. Optional		3/4" [19.05 mm] O.D. Optional 7/8" [22.23 mm] O.D. Standard*		7/8" [22.23 mm] O.D. Optional 1 1/8" [28.58 mm] O.D. Standard*	
25' [7.62]	Optional Standard Optional	1.00 1.00 —	1.00 1.00 —	1.00 1.00 1.00	1.00 1.00 —	1.00 1.00 —	1.00 1.00 —	1.00 1.00 —	
50' [15.24]	Optional Standard Optional	.98 .99 —	.98 .99 —	.96 .98 .99	.98 .99 —	.99 .99 —	.99 .99 —	.99 .99 —	
100' [30.48]	Optional Standard Optional	.95 .96 —	.95 .96 —	.94 .96 .97	.96 .97 —	.96 .98 —	.96 .98 —	.97 .98 —	
150' [45.72]	Optional Standard Optional	.92 .93 —	.92 .94 —	.91 .93 .95	.94 .95 —	.94 .96 —	.95 .96 —	.94 .97 —	

NOTES: *Standard line size
Using suction line larger than shown in chart will result in poor oil return and is not recommended.
3 Ton Suction Line Connection is 3/4"

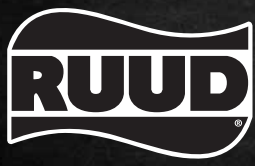
[] Designates Metric Conversions

GENERAL TERMS OF LIMITED WARRANTY*

Ruud will furnish a replacement for any part of this product which fails in normal use and service within the applicable period stated, in accordance with the terms of the limited warranty.

***For complete details of the Limited and Conditional Warranties, including applicable terms and conditions, contact your local contractor or the Manufacturer for a copy of the product warranty certificate.**

Conditional Parts
(Registration Required)Ten (10) Years



In keeping with its policy of continuous progress and product improvement, Ruud reserves the right to make changes without notice.

Ruud Heating, Cooling & Water Heating • P.O. Box 17010
Fort Smith, Arkansas 72917 • www.ruud.com

Ruud Canada • 125 Edgeware Road, Unit 1
Brampton, Ontario • L6Y 0P5

RELY ON RUUD.™