



# SUBMITTAL COVER SHEET

PROJECT NAME \_\_\_\_\_  
 LOCATION \_\_\_\_\_  
 ARCHITECT \_\_\_\_\_  
 ENGINEER \_\_\_\_\_  
 CONTRACTOR \_\_\_\_\_  
 SUBMITTED BY \_\_\_\_\_ DATE \_\_\_\_\_

## UNIT SUMMARY

|                     |  |  |  |  |  |  |
|---------------------|--|--|--|--|--|--|
| Quantity            |  |  |  |  |  |  |
| Unit Designation    |  |  |  |  |  |  |
| Model No.           |  |  |  |  |  |  |
| Total Cooling       |  |  |  |  |  |  |
| Sensible Cooling    |  |  |  |  |  |  |
| Air Ent. Evaporator |  |  |  |  |  |  |
| Air Lvg. Evaporator |  |  |  |  |  |  |
| Heating Input       |  |  |  |  |  |  |
| Heating Output      |  |  |  |  |  |  |
| CFM/ESP             |  |  |  |  |  |  |
| EER/SEER            |  |  |  |  |  |  |
| Electrical          |  |  |  |  |  |  |
| Minimum Ampacity    |  |  |  |  |  |  |
| Min.-Max. Breaker   |  |  |  |  |  |  |
| Net Unit Weight     |  |  |  |  |  |  |
| Accessory           |  |  |  |  |  |  |
| Catalog Form Number |  |  |  |  |  |  |

**ACCESSORIES:**

**NOTES:**

# SUBMITTAL SHEET FOR FRONT RETURN AIR HANDLER



**RHBL- High Efficiency** featuring New Industry Standard R-410A Refrigerant  
**RHAL- High Efficiency** featuring New Industry Standard R-410A Refrigerant

JOB NAME \_\_\_\_\_ LOCATION \_\_\_\_\_  
 CONTRACTOR \_\_\_\_\_ ORDER NO. \_\_\_\_\_  
 ENGINEER \_\_\_\_\_ SUBMITTED FOR  APPROVAL  RECORD  
 DATE \_\_\_\_\_ OUTDOOR UNIT MODEL NO. \_\_\_\_\_  
 MODEL NO. \_\_\_\_\_ INDOOR COIL MODEL NO. \_\_\_\_\_

### UNIT DATA

#### COOLING PERFORMANCE

TOTAL CAPACITY\* ..... MBH [kW]  
 SENSIBLE CAPACITY\* ..... MBH [kW]  
 OUTDOOR DESIGN TEMP. .... °F [°C] DB  
 TOTAL SUPPLY AIR ..... CFM [L/s]  
 TEMP. OF AIR ENTERING  
 EVAPORATOR COIL ..... °F [°C] DB  
 °F [°C] WB  
 POWER INPUT REQUIREMENT ..... kW  
 (\*uses blower motor heat)

#### HEATING PERFORMANCE

TOTAL CAPACITY\* ..... MBH [kW]  
 OUTDOOR DESIGN TEMP. .... °F [°C] DB  
 TEMP. OF AIR ENTERING  
 EVAPORATOR COIL ..... °F [°C] DB  
 ELECTRIC HEAT CAPACITY ..... kW  
 POWER INPUT REQUIREMENT ..... kW  
 (\*uses blower motor heat)

#### SUPPLY AIR BLOWER PERFORMANCE

TOTAL AIR SUPPLY ..... CFM [L/s]  
 TOTAL RESISTANCE EXTERNAL  
 TO UNIT ..... IWG  
 BLOWER SPEED ..... RPM  
 POWER OUTPUT REQUIREMENT .. BHP  
 MOTOR RATING ..... HP [W]  
 POWER INPUT REQUIREMENT ..... kW

#### ELECTRICAL DATA

POWER SUPPLY ..... Hz  
 TOTAL UNIT AMPACITY ..... AMPS  
 MINIMUM WIRE SIZE ..... AWG  
 MAXIMUM OVERCURRENT DEVICE  
 FUSES/HACR BREAKER ..... AMPS

#### CLEARANCES

SERVICE ACCESS FRONT 24" [609.6 mm]

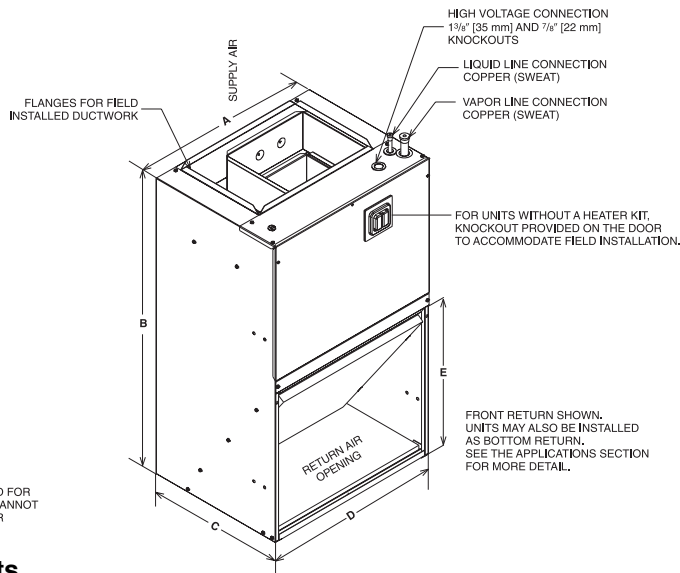
### FEATURES/ACCESSORIES

- Front or Bottom\* Return (\*Requires RXHK-B01/B02 Kit)
- Flow Check Piston for cooling or heat pump operation
- Wall-hanging brackets
- Built in Filter Rack (Uses Standard Filter Size)
- Suitable for R-410A or R-22 Refrigerants (RHAL Only)
- AHRI Certified
- UL Certified
- Molex Plug Connections for field installed heater kits
- Dual Voltage Direct Drive Blower with multi-speed motor
- Thermoplastic Drain Pan with bottom primary and secondary connections
- Optional Decorative Grill for front return applications (RXHK-C01/C02)
- Optional Decorative Wall Grill (RXHK-D01)
- Optional Factory Installed Condensate Float Switch which shuts off the outdoor unit in event the condensate pan becomes clogged



# Unit Dimensions

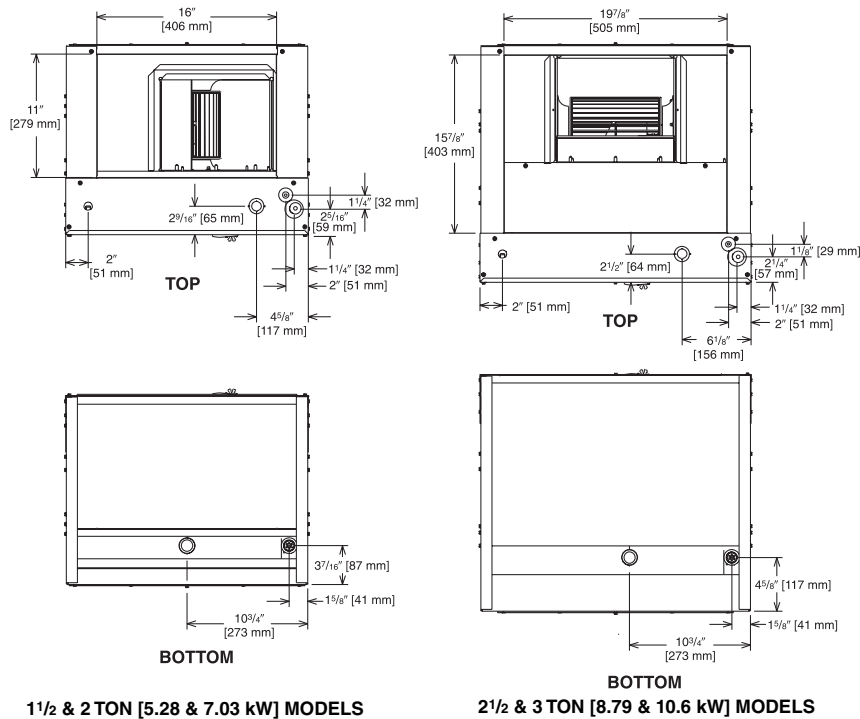
NOTE: 24" [610 mm] CLEARANCE REQUIRED IN FRONT OF UNIT FOR FILTER AND COIL MAINTENANCE



ALL UNITS ARE CONFIGURED FOR VERTICAL UPFLOW. UNITS CANNOT BE INSTALLED IN ANY OTHER CONFIGURATION.

## Unit Dimensions & Weights

| Model   | (A) Unit Width<br>In. [mm] | (B) Unit Height<br>In. [mm] | (C) Unit Depth<br>In. [mm] | (D) Return Air Opening Width<br>In. [mm] | (E) Return Air Opening Height<br>In. [mm] | Air Flow<br>CFM (Nom.) [L/s] |                | Unit Weight/<br>Shipping Weight (Lbs.) [kg] |
|---------|----------------------------|-----------------------------|----------------------------|--|---|------------------------------|----------------|---|
|         |                            |                             |                            |  |   | Low                          | High           |   |
|         |                            |                             |                            |  |   | RHAL-18                      | 21 1/2 [546.1] |   |
| RHAL-24 | 21 1/2 [546.1]             | 36 [914.4]                  | 17 [431.8]                 | 20 [508]                                 | 177 1/16 [442.9]                          | 800 [378]                    | —              | 80 [36] / 90 [41]                           |
| RHAL-30 | 24 [609.6]                 | 36 [914.4]                  | 21 [533.4]                 | 23 [584.2]                               | 21 3/8 [542.9]                            | 1000 [472]                   | —              | 95 [43] / 105 [48]                          |
| RHAL-36 | 24 [609.6]                 | 36 [914.4]                  | 21 [533.4]                 | 23 [584.2]                               | 21 3/8 [542.9]                            | 1200 [566]                   | —              | 95 [43] / 105 [48]                          |
| RHBL-24 | 21 1/2 [546.1]             | 36 [914.4]                  | 17 [431.8]                 | 20 [508]                                 | 177 1/16 [442.9]                          | 600 [283]                    | 800 [378]      | 95 [43] / 105 [48]                          |
| RHBL-36 | 24 [609.6]                 | 36 [914.4]                  | 21 [533.4]                 | 23 [584.2]                               | 21 3/8 [542.9]                            | 1000 [472]                   | 1200 [566]     | 95 [43] / 105 [48]                          |



[ ] Designates Metric Conversions

Before proceeding with installation, refer to installation instructions packaged with each model, as well as complying with all Federal, State, Provincial, and Local codes, regulations, and practices.

Rheem Sales Company, Inc.  
P.O. Box 17010, Fort Smith, AR 72917

"In keeping with its policy of continuous progress and product improvement, Rheem reserves the right to make changes without notice."